

# Care and Maintenance

**INKJET PRINTER**  
***TS100-1600***

**Requests for Care and Maintenance**

You can also download the latest manual from official website.

**MIMAKI ENGINEERING CO., LTD.**

<https://mimaki.com/>

D203536-15  
Original instructions

# TABLE OF CONTENTS

---

Introduction .....	3
To Ensure Safe Use .....	4
Symbols .....	4

## Maintenance

1. Maintenance Precautions .....	6
2. Maintenance Methods .....	7
Maintenance Items and Timing .....	7
Ink Maintenance .....	8
Wiper Cleaning .....	8
Cap Rubber Cleaning .....	10
NCU Cleaning .....	11
Carriage Underside Cleaning .....	11
Automatic Correction Sensor (DAS) Cleaning .....	12
Ink Discharge Channel Cleaning .....	13
Media Sensor Cleaning .....	14
Media Holder Cleaning .....	15
Platen Cleaning .....	15
Cover (Exterior) Cleaning .....	16
Blowing Fan Filter Cleaning .....	16
When this Printer is Left Unused for a Long Time .....	17
3. Consumable Item Replacement .....	20
Wiper Replacement .....	20
Wiper Cleaner Replacement .....	21
Cap Replacement .....	22
Cap Absorber Replacement .....	23
Exhaust Fan Filter Replacement .....	25
Blowing Fan Filter Replacement .....	25
Pinch Roller Replacement .....	26
Media Holder Replacement .....	27
Media Cutter Replacement .....	29
Media Edge Guide Film Replacement .....	30
Waste Ink Tank Replacement .....	31

# Introduction

Thank you for purchasing the Inkjet printer TS100-1600.

Read the Request for Care and Maintenance ("this document" hereinafter) thoroughly and make sure you understand its contents to ensure safe and correct use of the product.

Please note that the illustrations contained in this manual are intended to show functions, procedures, or operations and may sometimes differ slightly from the actual machine.

Unauthorized reproduction of any portion of this document is strictly prohibited.

© 2021 MIMAKI ENGINEERING Co., Ltd.










## ● Disclaimers

- MIMAKI ENGINEERING REJECTS ALL LIABILITY FOR DAMAGE ARISING DIRECTLY OR INDIRECTLY FROM THE USE OF THE TS100-1600 ("THIS MACHINE" HEREINAFTER), WHETHER OR NOT THE PRODUCT IS FAULTY.
- MIMAKI ENGINEERING REJECTS ALL LIABILITY FOR DAMAGE, DIRECT OR INDIRECT, TO MATERIALS CREATED WHILE USING THIS MACHINE.
- USING THIS MACHINE IN CONJUNCTION WITH DEVICES OTHER THAN THOSE RECOMMENDED BY MIMAKI ENGINEERING MAY RESULT IN FIRE OR ACCIDENTS. SUCH INCIDENTS ARE NOT COVERED BY THE PRODUCT WARRANTY. MIMAKI ENGINEERING REJECTS ALL LIABILITY FOR DAMAGE, DIRECT OR INDIRECT, ARISING FROM SUCH INCIDENTS.
- USE ONLY GENUINE MIMAKI ENGINEERING INK AND MAINTENANCE LIQUID. USE OF OTHER PRODUCTS MAY RESULT IN FAILURES OR REDUCE PRINT QUALITY. SUCH INCIDENTS ARE NOT COVERED BY THE PRODUCT WARRANTY. MIMAKI ENGINEERING REJECTS ALL LIABILITY FOR DAMAGE, DIRECT OR INDIRECT, ARISING FROM SUCH INCIDENTS.
- DO NOT ATTEMPT TO REFILL THE INK BOTTLES WITH UNAUTHORIZED INK. SUCH INCIDENTS ARE NOT COVERED BY THE PRODUCT WARRANTY. MIMAKI ENGINEERING REJECTS ALL LIABILITY FOR DAMAGE, DIRECT OR INDIRECT, ARISING FROM SUCH INCIDENTS.

# To Ensure Safe Use

## Symbols

In this manual, the symbols indicate and explain precautions. Make sure you fully understand the meaning of each symbol and use the machine safely and correctly.

Explanation		
 <b>WARNING</b>	Warning	Indicates a potential hazard that may result in death or serious injury if handled improperly or if instructions are disregarded.
 <b>CAUTION</b>	Caution	Indicates a potential hazard that may result in minor or moderate injury if handled improperly or if instructions are disregarded.
 <b>NOTICE</b>	Notice	Indicates a potential hazard that may result in property damage if handled improperly or if instructions are disregarded.
	Warning sign	Indicates something that requires attention. Warning specifics are drawn inside the symbol.
	Mandatory action sign	Indicates an action that must be carried out. The specifics of the mandatory action are drawn inside the symbol.
	Prohibition sign	Indicates a prohibited action. The specifics of the prohibited action are drawn inside the symbol.
 <b>Important!</b>	Important	Indicates important information related to use of this machine.
	Tip	Indicates useful reference information.
	Reference information	Indicates the corresponding page for related information.

# Maintenance

To ensure years of precise performance, maintain the machine periodically based on frequency of use. Read the maintenance precautions thoroughly before maintaining this product.

# 1. Maintenance Precautions



- This machine includes parts that must be replaced periodically. We therefore recommend taking out a maintenance contract. Carry out maintenance periodically and replace consumable items to prevent quality defects and accidents.

## ⚠ WARNING



- Clean periodically. Debris and dust will accumulate on electrical components when the machine is used for extended periods. There is a risk of failure, electric shock, or fire due to current leakage.
- Do not clean by blowing—e.g., avoid using air blowers. Doing so may lead to failure, electric shock, or fire involving the machine if airborne debris or dust gets inside electrical components. Wipe using a soft cloth soaked in diluted neutral detergent and thoroughly wrung out. A vacuum cleaner may also be used for cleaning.



- Be careful to prevent liquids from getting inside the machine. Otherwise there is a risk of failure, electric shock, or fire.

## ⚠ CAUTION



- For heavy soiling, wipe using a soft cloth soaked in diluted neutral detergent and thoroughly wrung out.



- Pay close attention to ventilation and be sure to wear safety glasses, gloves, and a mask when handling ink, maintenance liquid, waste ink, or other solutions used with the machine. Leaking ink may adhere to the skin or get into the eyes or mouth.





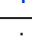
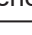

## NOTICE



- Never touch the print head nozzle surface. Do not allow water or alcohol to come into contact with the print nozzle surface. This will increase the risk of machine failure or ejection failures (e.g., nozzle clogging or deflection).
- Do not use cotton swabs to clean around the head or carriage. Fibers from cotton swabs may adhere to the head nozzle surface and lead to ejection failures (e.g., nozzle clogging or deflection).
- Do not splash ink or maintenance liquid on the covers. Exposure to splashing ink or maintenance liquid may damage or deform the cover.
- Do not use benzine, thinner, or any chemical agent containing abrasives. Use of these chemicals may result in damage to or deformation of parts.
- Do not move the carriage by hand. To move the carriage, use the carriage out function on the menu.

## 2. Maintenance Methods

### Maintenance Items and Timing

Timing	Item
Periodically	Shake the Ink bottle.  "Ink Maintenance"(P. 8)
At the end of the work week	Clean the wiper and wiper bracket.  "Wiper Cleaning"(P. 8)
	Clean the cap rubber.  "Cap Rubber Cleaning"(P. 10)
	Clean the NCU.  "NCU Cleaning"(P. 11)
	Clean the underside of the carriage.  "Carriage Underside Cleaning"(P. 11)
	Clean the DAS sensor.  "Automatic Correction Sensor (DAS) Cleaning"(P. 12)
	Clean the ink discharge channel.  "Ink Discharge Channel Cleaning"(P. 13)
	Clean the media sensor.  "Media Sensor Cleaning"(P. 14)
	Clean the media holder.  "Media Holder Cleaning"(P. 15)
	Clean the platen.  "Platen Cleaning"(P. 15)
	Clean the cover (exterior).  "Cover (Exterior) Cleaning"(P. 16)
	Check the waste ink levels in the waste ink tank.  "Replacing the Waste Ink Tank"(P. 32)
At the end of two weeks' work	Clean the blowing fan filter.  "Blowing Fan Filter Cleaning"(P. 16)
When not used for more than a week	Clean the wiper and cap and wash the ink discharge channels. After cleaning, store without turning off the main power supply.  "When this Printer is Left Unused for a Long Time"(P. 17)

### Items Required for Maintenance

To order replacement consumable items, contact your local dealer or our service office. For more information on consumable items, refer to our website (<https://mimaki.com/supply/inkjet.html>).



- Do not store consumable items in locations where children may enter.

### Ink Maintenance

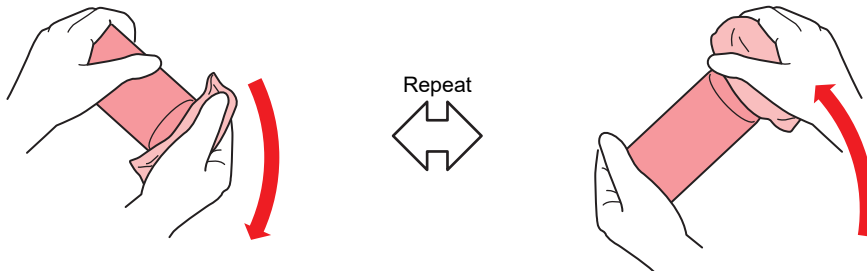
If ink constituents are sedimented, the ink density may become uneven. We recommend shaking the Ink bottle periodically to keep printing consistent.

Dye sublimation ink: once a week.

#### ● Shaking the Ink bottle

##### 1 Shake the Ink bottle to the left and right slowly at least 20 times.

- Tighten the ink bottle lid securely, then shake the bottle slowly from left to right to ensure that the ink moves inside, holding the ink bottle lid with a paper towel.



- Shake slowly. If the bottle is shaken too violently, ink may leak out or the air mixed in the ink may cause nozzle clogging.
- If the ink bottle is partially used, tilt it slowly until the ink bottle is upright.

### Wiper Cleaning

The wiper wipes off ink adhering to the print head nozzle surface. Continuing to use the dirty wiper may cause the wiper to which dried ink and dust are attached to rub against the nozzle surface, leading to printing defects (e.g., nozzle clogging or deflection).



- Be careful to avoid leaving fragments from the cleaning stick behind when cleaning. These fragments will increase the risk of ejection failures (e.g., nozzle clogging or deflection).

##### 1 On the LOCAL mode screen, select [MENU] > [Maintenance], then press the [ENTER] key.

- The Maintenance menu is displayed.

##### 2 Select [Station] > [Carriage Out] > [Move To Platen Right End], then press the [ENTER] key.

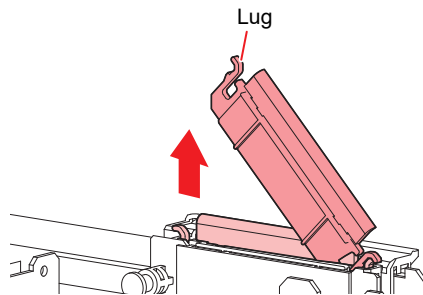
- The carriage moves over the platen.

##### 3 Open the front cover.



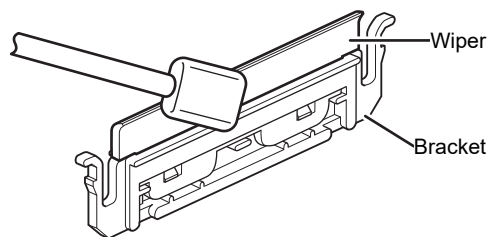
#### 4 Remove the wiper.

- Hold the lug at the rear of the wiper bracket, then pull out the wiper.



#### 5 Clean the wiper and bracket.

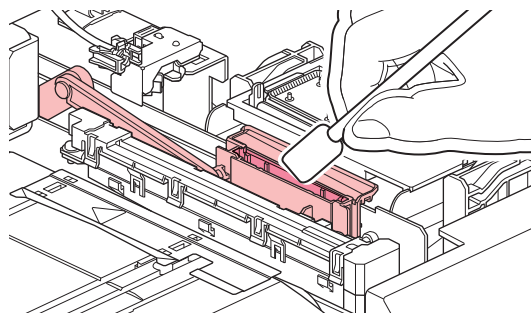
- Wipe off any ink and dust adhering using a cleaning stick moistened with maintenance liquid. Wipe off the maintenance liquid. Make sure none remains.



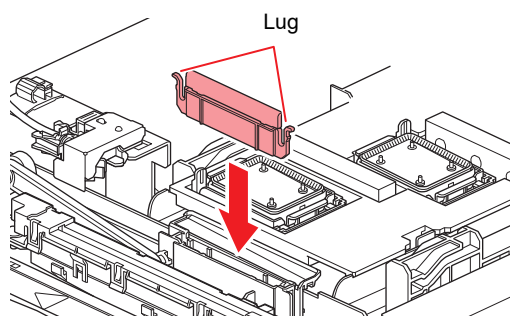
- Replace dirty or warped wipers with new ones. (👉 ["Wiper Replacement"\(P. 20\)](#))

#### 6 Clean the wiper slider.

- Wipe off any ink and dust adhering using a cleaning stick moistened with maintenance liquid. Wipe off the maintenance liquid. Make sure none remains.



#### 7 Mount the wiper at the original position.





- Do not remove the absorbent material in the absorbent material case. Doing so may result in leaking ink.

**8** Once cleaning is complete, close the cover, then press the [ENTER] key.

### Cap Rubber Cleaning

The cap prevents the print head nozzle surface from drying out. Continuing to use a dirty cap may affect ink take-up and lead to print defects (e.g., nozzle clogging, deflection).



- Be careful to avoid leaving fragments from the cleaning stick behind when cleaning. These fragments will increase the risk of ejection failures (e.g., nozzle clogging or deflection).

**1** On the LOCAL mode screen, select [MENU] > [Maintenance], then press the [ENTER] key.

- The Maintenance menu is displayed.

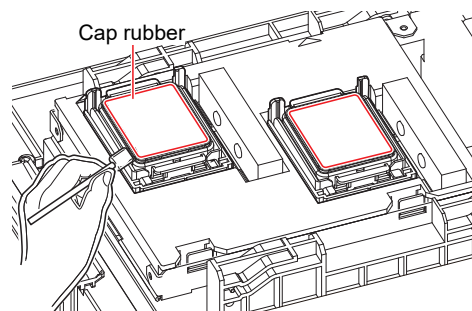
**2** Select [Station] > [Carriage Out] > [Move To Platen Right End], then press the [ENTER] key.

- The carriage moves over the platen.

**3** Open the front cover.

**4** Clean the cap rubber.

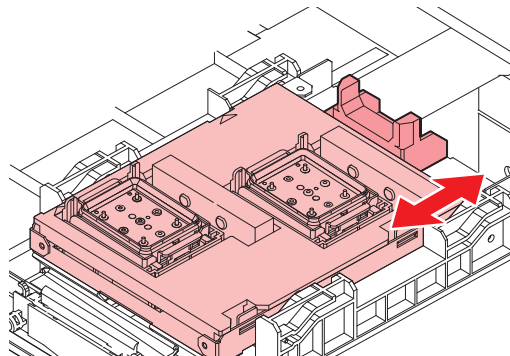
- Wipe off any ink and dust adhering using a cleaning stick moistened with maintenance liquid. Wipe off the maintenance liquid. Make sure none remains.



**5** Check to confirm that the cap slider is not tilted once cleaning is complete.



- If the cap slider is tilted, move the slider block to the left or right to correct the tilt.



**6** Close the front cover, then press the [ENTER] key.

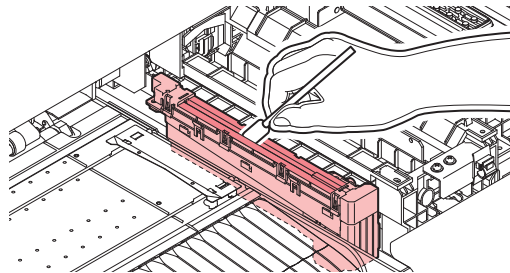
## NCU Cleaning

The NCU uses a sensor to monitor the ink droplets ejected from the print head nozzles. Continuing to use the dirty NCU may prevent the nozzle check function from operating correctly.

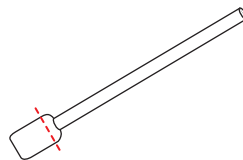


- Be careful to avoid leaving fragments from the cleaning stick behind when cleaning. These fragments will increase the risk of ejection failures (e.g., nozzle clogging or deflection).

- 1 On the LOCAL mode screen, select [MENU] > [Maintenance], then press the [ENTER] key.**
  - The Maintenance menu is displayed.
- 2 Select [Station] > [Carriage Out] > [Move To Platen Right End], then press the [ENTER] key.**
  - The carriage moves over the platen.
- 3 Open the front cover.**
- 4 Clean the NCU.**
  - Wipe off any ink and dust adhering using a cleaning stick moistened with maintenance liquid. Wipe off the maintenance liquid. Make sure none remains.



- Insert the cleaning stick as far as the line shown in the illustration.



- 5 Once cleaning is complete, close the cover, then press the [ENTER] key.**

## Carriage Underside Cleaning

The underside of the carriage becomes coated with ink wiped off by the wiper. Continuing to use the dirty carriage underside will rub dried ink and attached dust on to the media, resulting in contaminated prints.

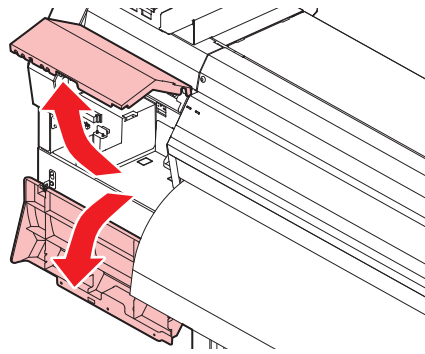
The print head uses an extremely delicate mechanism. Take great care when handling it.



- Be careful to avoid leaving fragments from the cleaning stick behind when cleaning. These fragments will increase the risk of ejection failures (e.g., nozzle clogging or deflection).

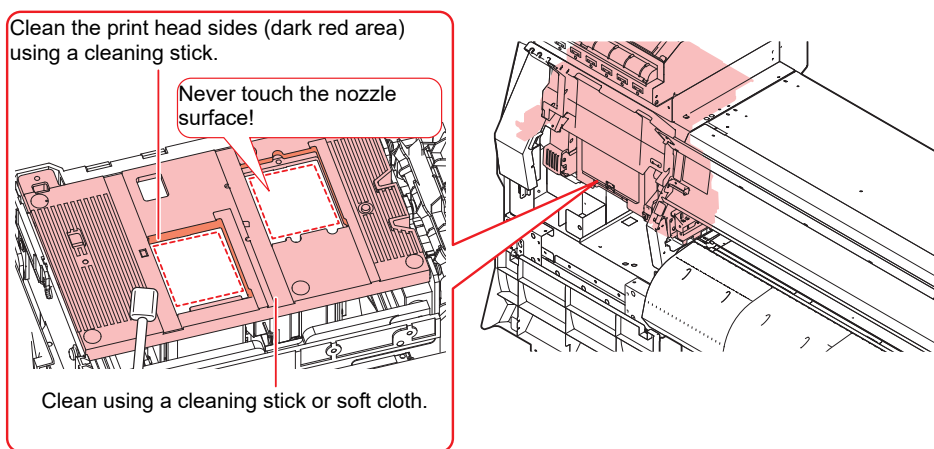
- 1 On the LOCAL mode screen, select [MENU] > [Maintenance], then press the [ENTER] key.**
  - The Maintenance menu is displayed.
- 2 Select [Station] > [Carriage Out] > [Move To Maint. Space], then press the [ENTER] key.**
  - The carriage moves to the maintenance space.

### 3 Open the maintenance covers.



### 4 Clean around the print head.

- Wipe off any ink and dust adhering using a cleaning stick moistened with maintenance liquid. Wipe off the maintenance liquid. Make sure none remains.



- Never touch the print head nozzle surface.

### 5 Once cleaning is complete, close the cover, then press the [ENTER] key.

## Automatic Correction Sensor (DAS) Cleaning

The DAS sensor is located on the carriage underside. If dust or debris accumulates on the sensor, an error may occur in the automatic correction function (Automatic correction of drop position).

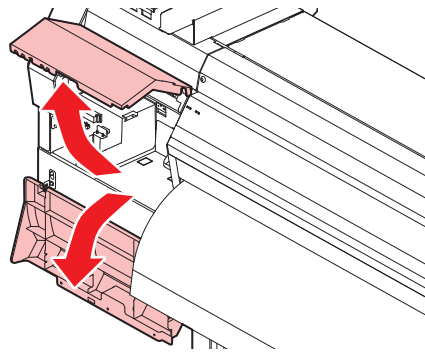
#### 1 On the LOCAL mode screen, select [MENU] > [Maintenance], then press the [ENTER] key.

- The Maintenance menu is displayed.

#### 2 Select [Station] > [Carriage Out] > [Move To Maint. Space], then press the [ENTER] key.

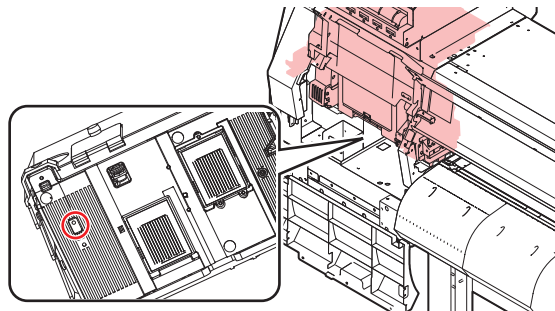
- The carriage moves to the maintenance space.

### 3 Open the maintenance covers.



### 4 Clean the DAS sensor.

- Wipe clean using cotton swabs or a soft cloth.



- For heavy soiling, wipe using a soft cloth soaked in diluted neutral detergent and thoroughly wrung out.

### 5 Once cleaning is complete, close the cover, then press the [ENTER] key.

## Ink Discharge Channel Cleaning

Clean the ink discharge channel regularly to prevent clogging of the ink discharge channel below the cap.

### 1 On the LOCAL mode screen, select [MENU] > [Maintenance], then press the [ENTER] key.

- The Maintenance menu is displayed.

### 2 Select [Station] > [Disway Wash], then press the [ENTER] key.

- The cap is filled with maintenance liquid.



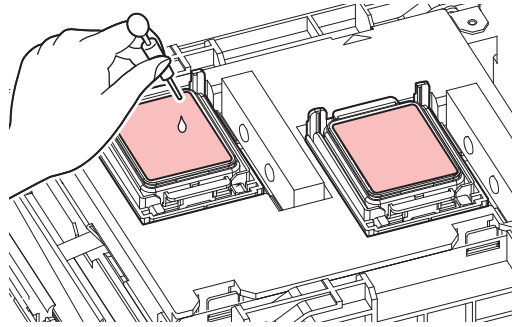
- Close the front cover. The cap cannot be filled with maintenance liquid unless the front cover is closed. This is also true if the maintenance liquid cartridge is empty.

### 3 Open the front cover.

- Check to confirm that the cap is filled with maintenance liquid.



- If not, use a syringe to draw up some maintenance liquid and fill until it almost overflows from the cap.

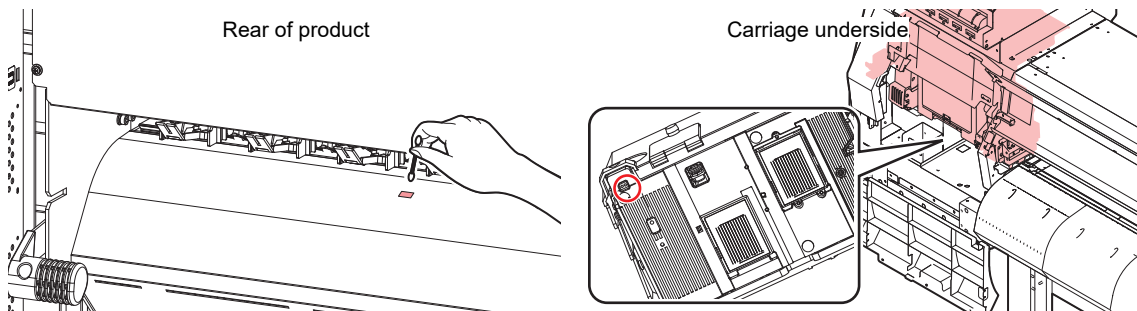


### 4 Close the front cover, then press the [ENTER] key.

- Pump tube (ink discharge channel below the cap) washing starts.

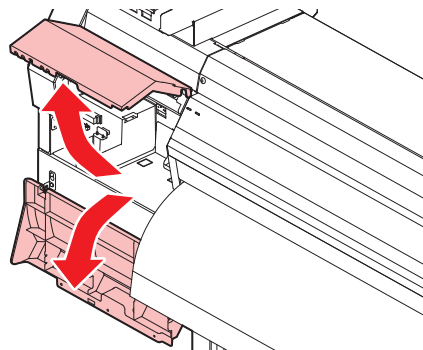
## Media Sensor Cleaning

Media sensors are located on the rear cover and carriage underside. The media cannot be detected correctly if dust or debris accumulates on the sensors. Remove any debris using cotton swabs or a soft cloth.



### ● Cleaning the carriage underside sensor

- 1** On the LOCAL mode screen, select [MENU] > [Maintenance], then press the [ENTER] key.
  - The Maintenance menu is displayed.
- 2** Select [Station] > [Carriage Out] > [Move To Maint. Space], then press the [ENTER] key.
  - The carriage moves to the maintenance space.
- 3** Open the maintenance covers.



### 4 Clean the media sensor.

**5** Once cleaning is complete, close the cover, then press the [ENTER] key.

## Media Holder Cleaning

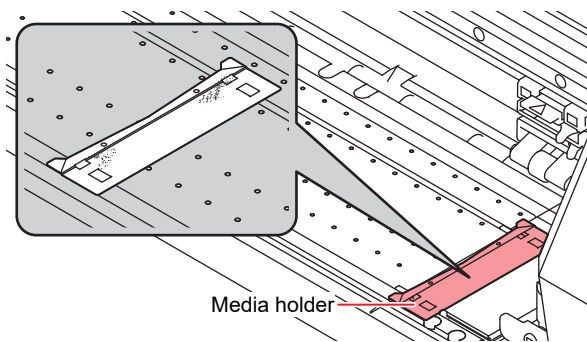


- Turn off the main power supply and unplug the power cable before carrying out maintenance.



- Be careful to prevent liquids from getting inside the machine. Otherwise there is a risk of failure, electric shock, or fire.

Continuing to use the dirty platen will prevent proper feeding of the media. It will also cause dried ink and attached dust to rub against the head nozzle surface and lead to ejection failures (e.g., nozzle clogging or deflection).



- For heavy soiling, wipe using a soft cloth soaked in diluted neutral detergent and thoroughly wrung out.

## Platen Cleaning

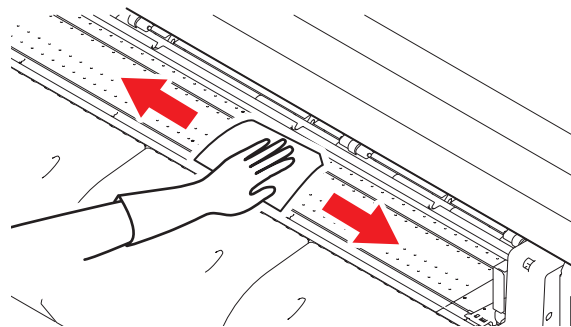


- Turn off the main power supply and unplug the power cable before carrying out maintenance.



- Be careful to prevent liquids from getting inside the machine. Otherwise there is a risk of failure, electric shock, or fire.

Continuing to use the dirty platen will prevent proper feeding of the media. It will also cause dried ink and attached dust to rub against the head nozzle surface and lead to ejection failures (e.g., nozzle clogging or deflection).



- The grooves in which the media holder slides and the media is cut are susceptible to dust accumulation. Remove any debris carefully.

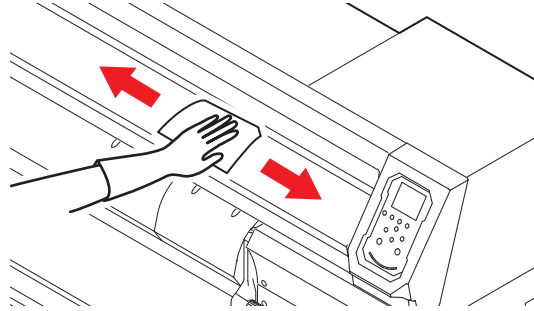


- For heavy soiling, wipe using a soft cloth soaked in diluted neutral detergent and thoroughly wrung out.

### Cover (Exterior) Cleaning



- Be careful to prevent liquids from getting inside the machine. Otherwise there is a risk of failure, electric shock, or fire.



- For heavy soiling, wipe using a soft cloth soaked in diluted neutral detergent and thoroughly wrung out.

### Blowing Fan Filter Cleaning

Wash the blowing fan filter in water if it is dirty.

#### ● Recommended cleaning guide

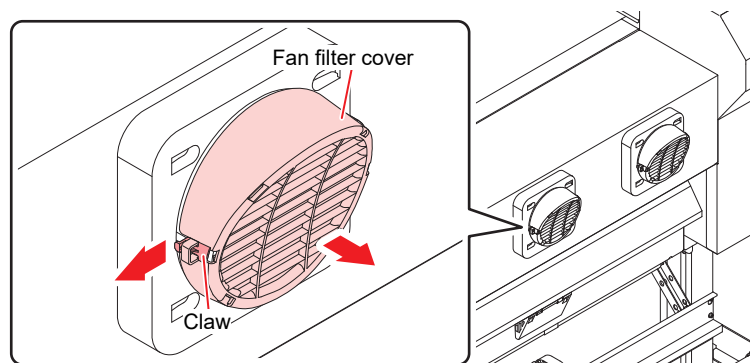
Check the filter for dirt every two weeks, and wash it in water if it is dirty.



- Replace the filter every three months.  ["Blowing Fan Filter Replacement"\(P. 25\)](#)

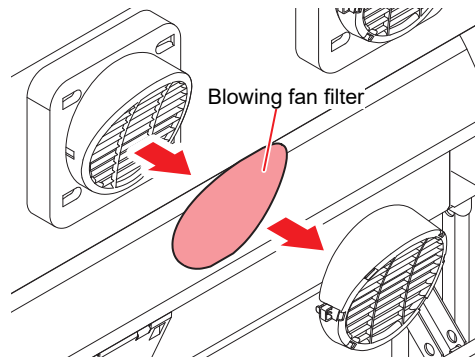
#### 1 Remove the fan filter cover.

- Push the fan filter cover claw outward, and pull the cover to the front.





## 2 Remove the filter.



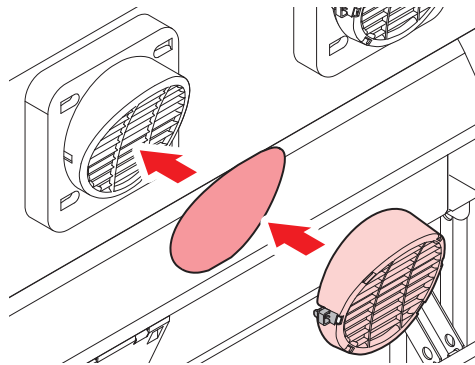
## 3 Wash the filter.



- Dry the filter after washing.

## 4 Attach the dry filter together with the fan filter cover.

- Push in the fan filter cover until the tab clicks.



## When this Printer is Left Unused for a Long Time

Clean as follows if the product is not used for one week or longer:

### Check beforehand

Is [Near End] or [Ink End] displayed?

- Maintenance liquid and ink is aspirated during the washing operation. Washing is not possible if an error occurs during this process. Replace with new ink.

### 1 On the LOCAL mode screen, select [MENU] > [Maintenance], then press the [ENTER] key.

- The Maintenance menu is displayed.

### 2 Select [Station Maint.] > [Custody Wash], then press the [ENTER] key.

- The carriage moves over the platen.

### 3 Open the front cover.

### 4 Clean the wiper and bracket.

-  "Wiper Cleaning"(P. 8)

### 5 Press the [ENTER] key once cleaning is complete.

- "Cap Cleaning Completed (Next) [ENT]" appears on the display.

### 6 Clean the cap rubber.

-  ["Cap Rubber Cleaning"\(P. 10\)](#)

### 7 Once cleaning is complete, close the cover, then press the [ENTER] key.

- The cap is filled with maintenance liquid.



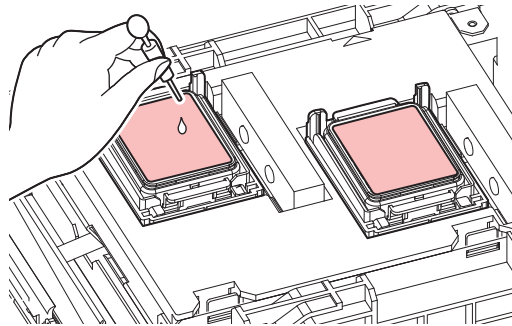
- Close the front cover. The cap cannot be filled with maintenance liquid unless the front cover is closed. This is also true if the maintenance liquid cartridge is empty.

### 8 Open the front cover.

- Check to confirm that the cap is filled with maintenance liquid.



- If not, use a syringe to draw up some maintenance liquid and fill until it almost overflows from the cap.



### 9 Close the front cover.

### 10 Set the exposure time, then press the [ENTER] key.

- Print nozzle washing starts. The elapsed time is displayed on the display.
- Cleaning is performed automatically once print nozzle washing has ended.
- The cap is filled with maintenance liquid.



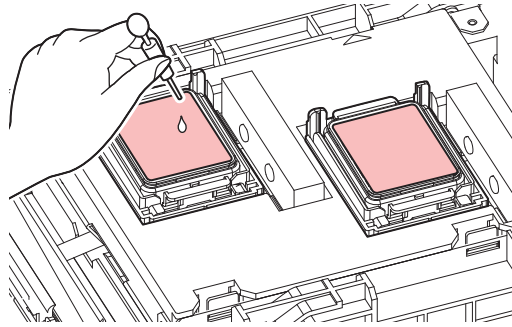
- Close the front cover. The cap cannot be filled with maintenance liquid unless the front cover is closed. This is also true if the maintenance liquid cartridge is empty.

### 11 Open the front cover.

- Check to confirm that the cap is filled with maintenance liquid.



- If not, use a syringe to draw up some maintenance liquid and fill until it almost overflows from the cap.

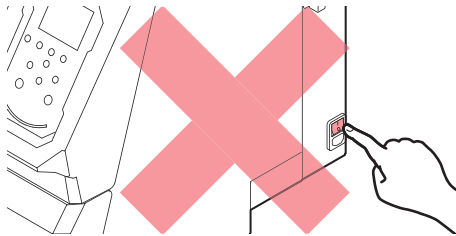


## 12 Close the front cover, then press the [ENTER] key.

- Pump tube (ink discharge channel below the cap) washing starts.



- Do not turn off the main power supply. Turning off the main power supply will disable the automatic maintenance function (including nozzle clogging prevention function and ink discharge channel cleaning function). This will increase the risk of ejection failures (e.g., nozzle clogging or deflection).



- Do not leave media loaded on the platen. This may leave irregularities or ripples in the media.



When the machine is not in use, raise the clamp lever to separate the pinch rollers from the grit rollers.

- Leaving the pinch rollers in the lowered position may cause the pinch rollers to become deformed and prevent the media from feeding properly.
- Leaving media set in place can cause the media to be pressed down by the pinch rollers, resulting in pinch roller marks.



- Perform the following if the "Check Waste Ink Tank" message appears on the display.  
 ["Waste Ink Tank Replacement"\(P. 31\)](#)

# 3. Consumable Item Replacement

To order replacement consumable items, contact your local dealer or our service office. For more information on consumable items, refer to our website (<https://mimaki.com/supply/inkjet.html>).



- Do not store consumable items in locations where children may enter.

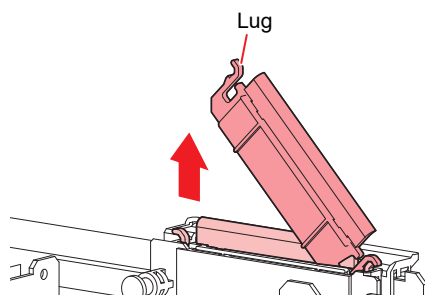


- When disposing of consumable items, contact an industrial waste disposal operator or dispose of the product in accordance with the local laws and regulations.

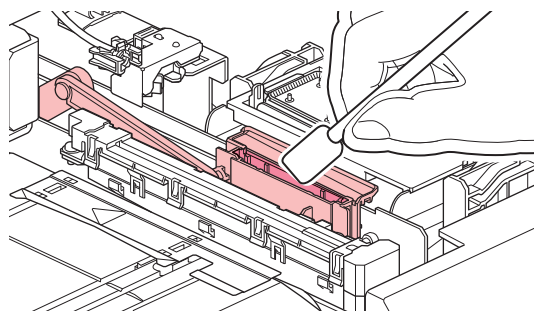
## Wiper Replacement

This product maintains a count of the number of wiping cycles. The "Replace Wiper" message appears when a preset count is reached. Replace dirty or warped wipers with new ones.

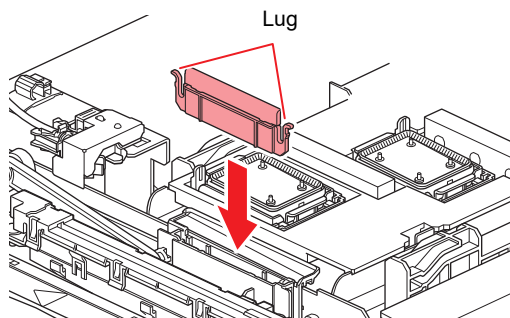
- 1 "Replace Wiper" appears on the display.**
- 2 On the LOCAL mode screen, select [MENU] > [Maintenance], then press the [ENTER] key.**
  - The Maintenance menu is displayed.
- 3 Select [Station Maint.] > [Replace Wiper], then press the [ENTER] key.**
  - The carriage moves over the platen.
- 4 Open the front cover.**
- 5 Remove the wiper.**
  - Hold the lug at the rear of the wiper bracket, then pull out the wiper.



- 6 Clean the wiper slider.**
  - Wipe off any ink and dust adhering using a cleaning stick moistened with maintenance liquid. Wipe off the maintenance liquid. Make sure none remains.



## 7 Mount a new wiper.



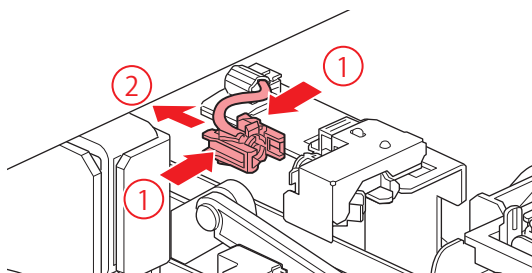
## 8 Once replacement is complete, close the cover, then press the [ENTER] key.

- The wiper usage count is reset.

## Wiper Cleaner Replacement

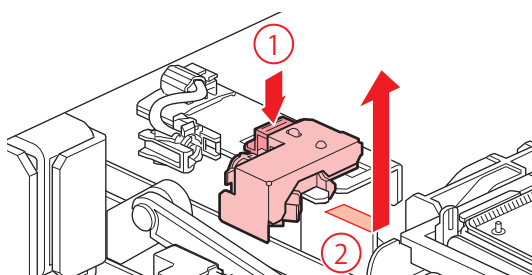
Replace with a new wiper cleaner once a year.

- 1 On the LOCAL mode screen, select [MENU] > [Maintenance], then press the [ENTER] key.
  - The Maintenance menu is displayed.
- 2 Select [Station] > [Carriage Out] > [Move To Platen Right End], then press the [ENTER] key.
  - The carriage moves over the platen.
- 3 Open the front cover.
- 4 Remove the fittings.
  - Pull out the fitting by holding the protrusion.
  - Take care to avoid losing the rubber seal.



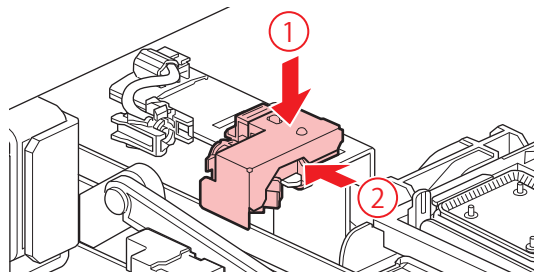
## 5 Remove the wiper cleaner.

- Pull it forward to detach it.



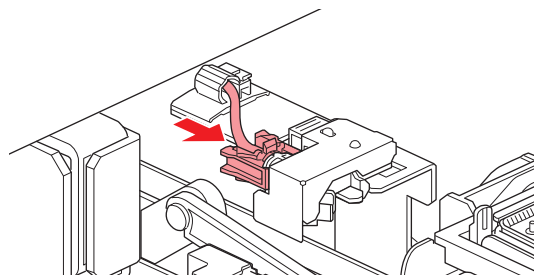
#### 6 Mount a new wiper cleaner.

- Slide backward to attach.



#### 7 Install the fitting.

- Improper attachment may result in leaking maintenance solution.



#### 8 Once replacement is complete, close the cover, then press the [ENTER] key.

## Cap Replacement

If ejection failures (e.g., nozzle clogging or deflection) remain unresolved even after cleaning, replace with a new cap.



- Be sure to replace the cap if you observe any scratches or other damage on the rim.



#### 1 On the LOCAL mode screen, select [MENU] > [Maintenance], then press the [ENTER] key.

- The Maintenance menu is displayed.

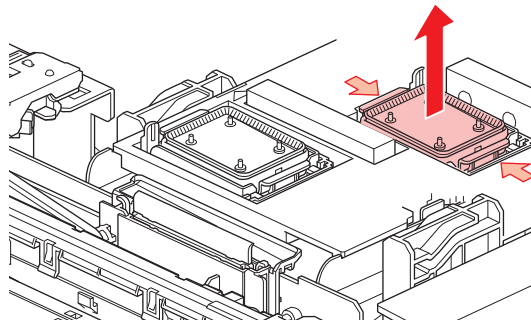
#### 2 Select [Station] > [Carriage Out] > [Move To Platen Right End], then press the [ENTER] key.

- The carriage moves over the platen.

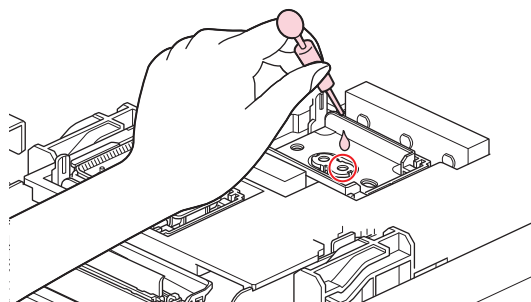
#### 3 Open the front cover.

**4 Remove the cap.**

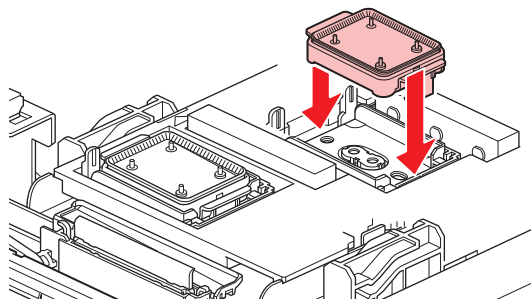
- Squeeze the lugs on either side of the cap and pull off.

**5 Apply maintenance liquid.**

- Use a syringe to apply two or three drops of maintenance liquid to the hole at the front.

**6 Mount a new cap.**

- Position with the slot at the front and push in until it clicks.

**7 Once replacement is complete, close the cover, then press the [ENTER] key.**

## Cap Absorber Replacement

If the cap absorber is very dirty or if ink drips on to the media, replace with a new cap absorber.

- 1 On the LOCAL mode screen, select [MENU] > [Maintenance], then press the [ENTER] key.**
  - The Maintenance menu is displayed.
- 2 Select [Station] > [Carriage Out] > [Move To Platen Right End], then press the [ENTER] key.**
  - The carriage moves over the platen.
- 3 Turn off the main power supply.**



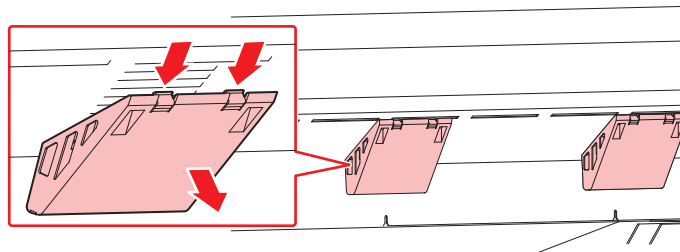


- 9 Close the front cover, then turn on the power.**
- Check to confirm that the carriage returns to the station.

## Exhaust Fan Filter Replacement

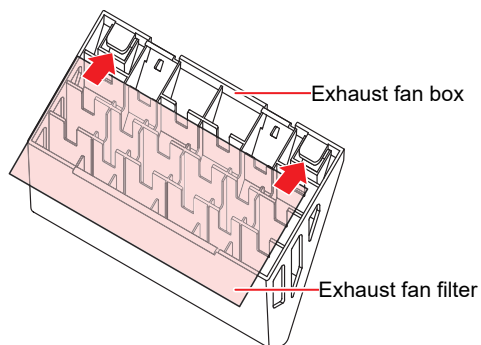
Check the exhaust fan filter condition. Replace if very dirty.

- 1 Remove the exhaust fan box.**
- Push the tabs at the front to remove the exhaust fan box.



- Replace the very dirty exhaust fan box with new one.

- 2 Mount a new exhaust fan filter in the exhaust fan box.**
- Press the exhaust fan filter into the space under the tabs of the exhaust fan box.



- 3 Mount the exhaust fan box.**
- Insert the tabs of the exhaust fan box into the slits of the machine, and clip in the tabs at the front.

## Blowing Fan Filter Replacement

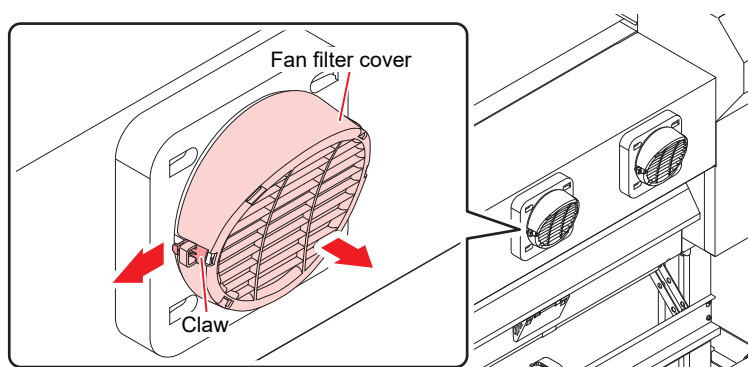
Replace the blowing fan filter if it is dirty.

### ● Recommended replacement guide

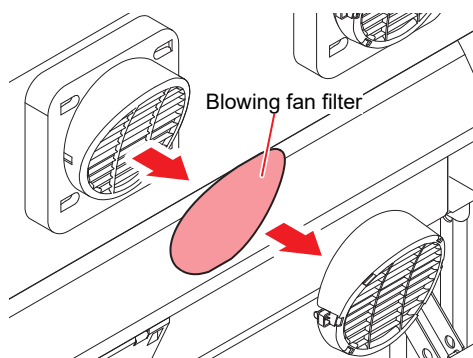
Replace the filter every three months.

#### 1 Remove the fan filter cover.

- Push the fan filter cover claw outward, and pull the cover to the front.

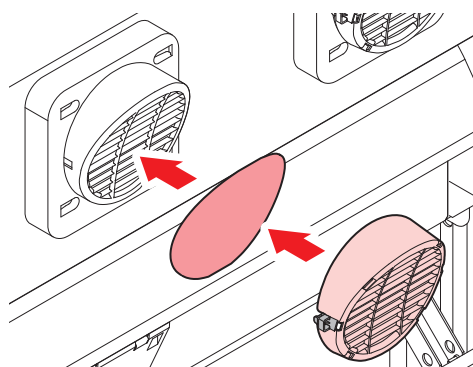


#### 2 Remove the filter.



#### 3 Mount a new filter and the fan filter cover.

- Push in the fan filter cover until the tab clicks.



## Pinch Roller Replacement

Replace worn or dirty pinch rollers with new ones.

### ● Recommended replacement guide

Replace the pinch rollers every month if used for approximately 12 hours per day.

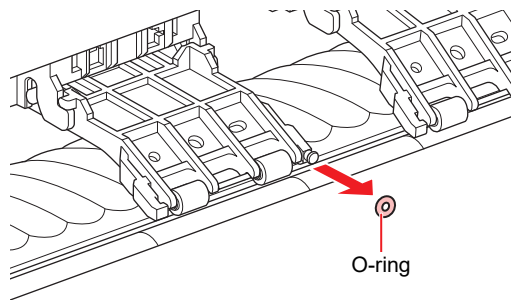
Replace the pinch rollers every two weeks if used 24 hours per day.



- Turn off the main power and unplug the power cable before replacement.

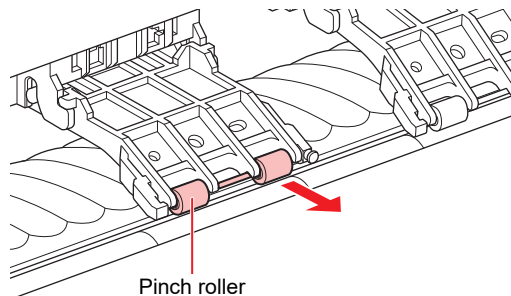
#### 1 Open the front cover.

- 2 Raise the clamp lever.
- 3 Remove the O-ring retaining the pinch rollers.



- The pinch rollers are small. Be careful to avoid dropping them into the product interior.

- 4 Remove the pinch rollers.



- 5 Mount new pinch rollers, and secure them using the O-ring.
- 6 Close the front cover.

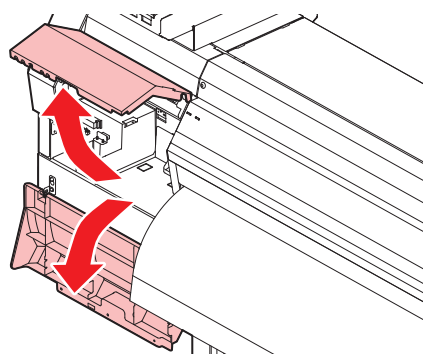
## Media Holder Replacement

If the media holder becomes deformed and touches the carriage or print head, replace with a new media holder.

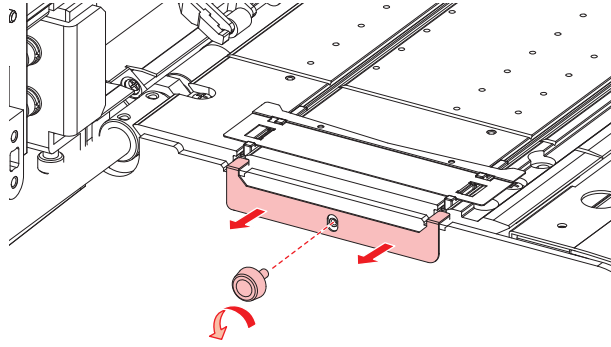


- Turn off the main power and unplug the power cable before replacement.

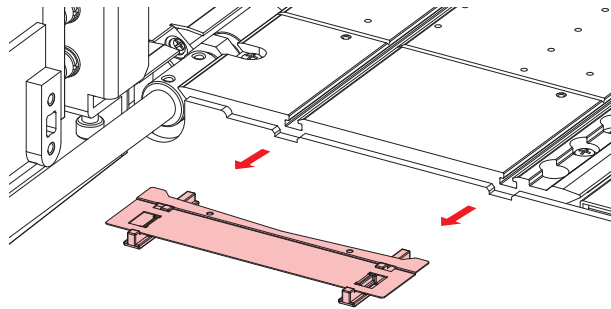
- 1 Open the maintenance covers.



**2** Remove the side screw, and detach the media holder stopper.

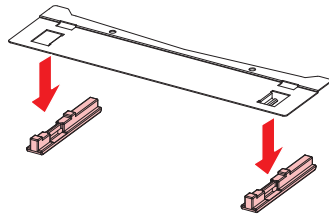


**3** Remove the media holder.



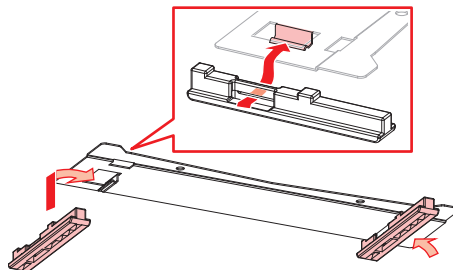
**4** Remove the sliders from the media holder.

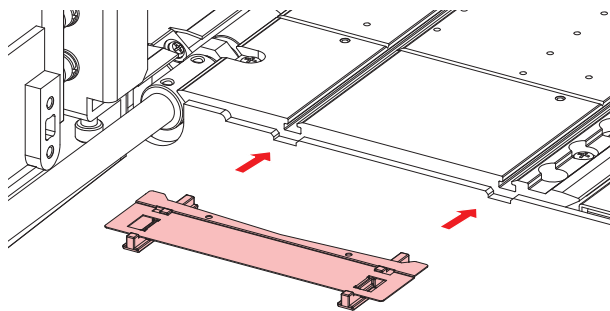
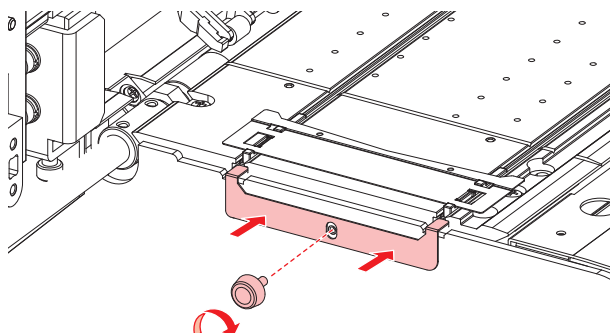
- Be careful to avoid misplacing the sliders.



**5** Mount the sliders on the new media holder.

- Engage the holes in the sliders on to the lugs on the media holder.



**6** Mount the new media holder on to the platen.**7** Secure the media holder stopper with the screw.**8** Close the maintenance covers.

## Media Cutter Replacement

Replace cutters when blades are chipped or blunt.



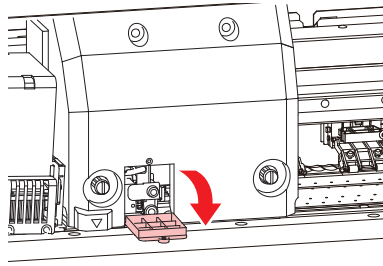
- Avoid touching the cutter blade. Failure to do so may result in injury.

- 1** On the LOCAL mode screen, select [MENU] > [Maintenance], then press the [ENTER] key.
  - The Maintenance menu is displayed.
- 2** Select [Station] > [Carriage Out] > [Move To Platen Right End], then press the [ENTER] key.
  - The carriage moves over the platen.
- 3** Open the front cover.



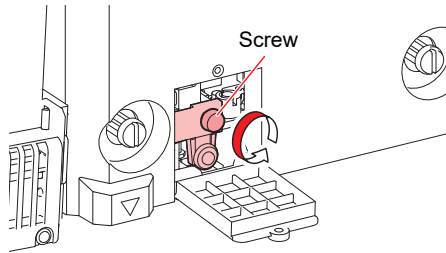
- The carriage can be moved by hand. Move the carriage slowly to a position allowing easy access while replacing.

#### 4 Loosen the screws and open the carriage cover window.

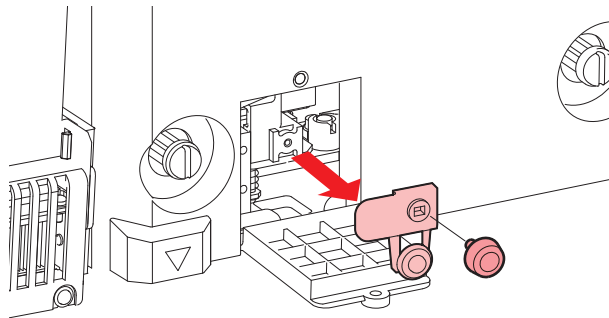


#### 5 Replace the media cutter.

(1) Unscrew the cutter screw.



(2) Remove the cutter.



(3) Mount a new cutter.

(4) Tighten the screw to clamp the cutter.

#### 6 Close the carriage cover window and retighten the screws.

#### 7 Once replacement is complete, close the cover, then press the [ENTER] key.

### Media Edge Guide Film Replacement

Replace the media edge guide film if it is creased or worn.

1 Remove the media from the take-up unit.

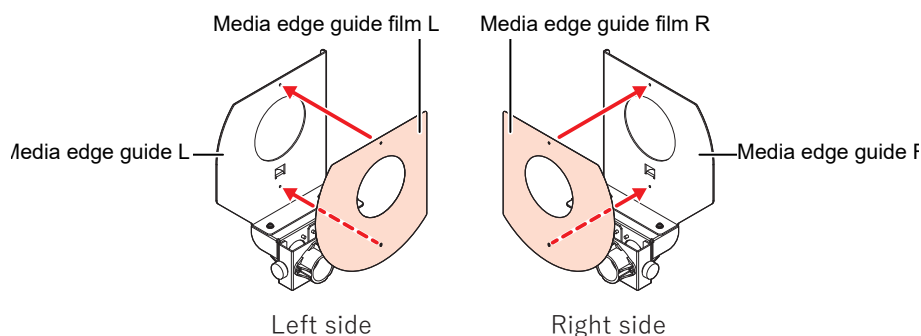
2 Remove the media edge guide film from the media edge guide.



- Make sure no parts of the double-sided tape remain.

### 3 Remove the double-sided tape on the media edge guide film and attach it to the media edge guide.

- Align and attach the film hole (x2) to the screw hole (x2) of the media edge guide.



## Waste Ink Tank Replacement

Ink used during head cleaning and other processes is collected in the waste ink tank at the lower right of the machine.

This product keeps track of the waste ink level. A "Check Waste Ink Tank" message appears when the preset level is reached. Use this as a guide for replacing the waste ink tank.




- For a 2-liter tank, the preset level is 80 % (1.6 L).
- Continuing to use the product without disposing of the waste ink may result in waste ink overflowing from the waste ink tank. Visually check ink levels in the waste ink tank about once a week.



- Pay close attention to ventilation and be sure to wear safety glasses, gloves, and a mask when handling ink, maintenance liquid, waste ink, or other solutions used with the machine. Leaking ink may adhere to the skin or get into the eyes or mouth.



### When "Check Waste Ink Tank" message appears

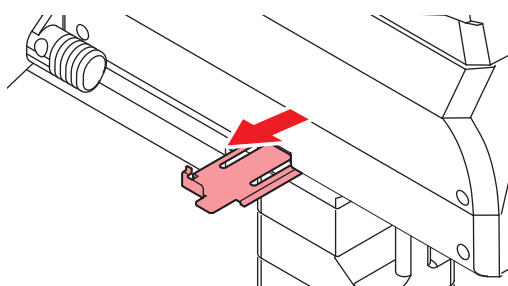
- The "Check Waste Ink Tank" message appears on the display.
- Check the waste ink levels in the waste ink tank.
  - If you note any discrepancies from actual levels, proceed to the next step.
  - If there is no discrepancy, replace (dispose of) the waste ink tank referring to  ["Replacing the Waste Ink Tank"\(P. 32\)](#).
- On the LOCAL mode screen, select [MENU] > [Maintenance], then press the [ENTER] key.
  - The Maintenance menu is displayed.
- Select [Waste Ink Tank], then press the [ENTER] key.
  - "Replace Wasteinktank Level: 80 % (1.6 L)" appears on the display.
- Select [Adjust Waste Ink Volume], then press the [ENTER] key.

- 6 Press ▲▼ to adjust the level.
- 7 Press the [ENTER] key once adjustment is complete.

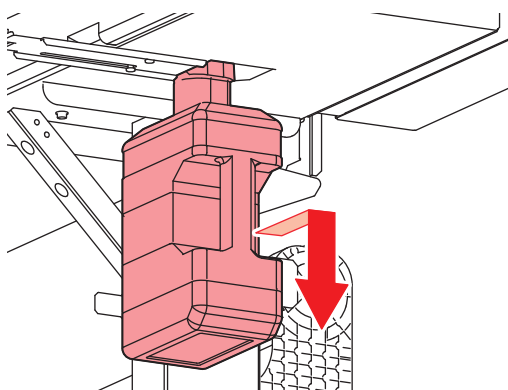
#### Replacing the Waste Ink Tank

---

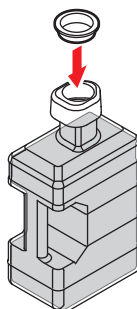
- 1 On the LOCAL mode screen, select [MENU] > [Maintenance], then press the [ENTER] key.
  - The Maintenance menu is displayed.
- 2 Select [Waste Ink Tank], then press the [ENTER] key.
  - "Replace Wasteinktank Level: 80 % (1.6 L)" appears on the display.
- 3 Select [Reset Waste Ink Volume], then press the [ENTER] key.
- 4 Pull the waste ink tank stopper forward.



- 5 Hold the handle on the waste ink tank and slide out.

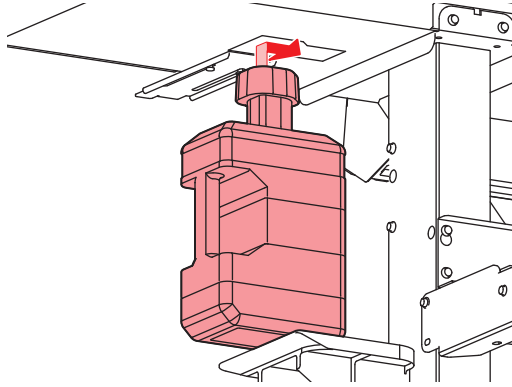
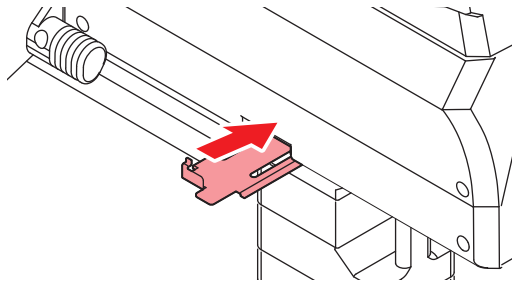


- 6 Attach the cap to the removed waste ink tank, and use tape to prevent leakage of waste ink.



- When disposing of ink, maintenance liquid or other liquid used with the product, or the container or paper towel to which ink or other liquid is attached, contact an industrial waste disposal operator or dispose of the product in accordance with the local laws and regulations.
-



**7** Mount a new waste ink tank.**8** Close the waste ink tank stopper.**9** Press the [ENTER] key.

- The waste ink level will be reset.



## **Care and maintenance**

---

---

June, 2023

MIMAKI ENGINEERING CO.,LTD.

2182-3 Shigeno-otsu, Tomi-shi, Nagano 389-0512 JAPAN

---

---

D203536-15-15062023

