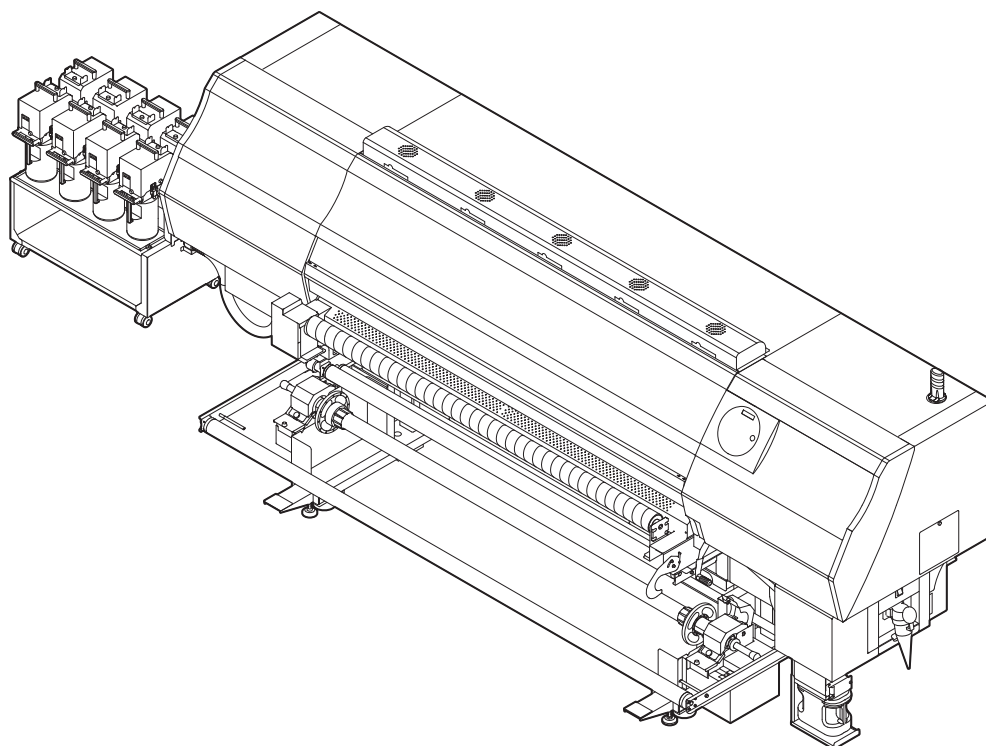


COLOR INKJET PRINTER

Tx500-1800DS

OPERATION MANUAL



You can also download the latest manual from our website.

MIMAKI ENGINEERING CO., LTD.

URL: <http://mimaki.com/>

D202414-16

Original instructions

TABLE OF CONTENTS

CAUTION	v
DISCLAIMER OF WARRANTY	v
Requests	v
FCC Statement (USA)	v
Interference to televisions and radios	v
Foreword	vi
About usable ink	vi
On This Operation manual	vi
Safety Precautions	vii
Symbols	vii
Safety interlock	x

Chapter 1 Before Use

About installing this machine	1-2
Where to Install This Machine	1-2
Working Environmental Temperature	1-2
About fixing machine	1-3
Moving This Machine	1-3
Names of Parts and Functions	1-4
Front Side of the Machine	1-4
Rear Side and Right Side of the Machine	1-5
Operation Panel	1-6
Heater	1-7
Carriage	1-8
Capping station	1-8
Pinch rollers and Grit rollers	1-9
Indicator	1-9
Connecting Cables	1-10
Connecting USB2.0 Interface Cable	1-10
Connecting Power Supply Cable	1-11
Setting ink bottles	1-12
Caution in handling of ink bottles	1-16
Media	1-17
Usable sizes of media	1-17
Precautions in handling the fabric	1-17
Limited media	1-18

Chapter 2 Basic Operations

Workflow	2-2
Turning the Power ON/OFF	2-3
Turning the Power ON	2-3
Turning the Power OFF	2-4
Setting a Media	2-5
Maximum Print Area	2-5
Outline of media setting	2-6
Checking spacer	2-7
Attaching neutralization fabric	2-9
Note for media setting	2-10
Setting a roll media	2-11
Setting leaf media	2-24

Setting the Head Gap	2-26
Changing the printing origin	2-27
Preparing for the Heaters	2-28
Changing the Temperature Settings for the Heaters	2-28
Checking the Heater Temperature	2-29
Test Feeding	2-30
Test Printing	2-31
Test Printing	2-32
Head Cleaning	2-33
About head cleaning	2-33
Perform head cleaning depending on the test printing result	2-33
Set the media feeding	2-34
Flow of media feeding correction	2-34
Setting the torque limiter	2-35
Setting Feed Correction	2-36
Correct the ink drop position for bidirectional printing	2-38
Printing Data	2-40
Starting a Printing Operation	2-40
Stopping a printing operation halfway	2-41
Deleting Received Data (Data Clear)	2-41
Behavior after printing has been completed	2-41

Chapter 3 **Extended Functions**

List of Functions	3-2
Setting Heater	3-3
Setting Logical Seek	3-4
Setting Drying Time	3-5
Setting Margins	3-6
Perform setting to reduce stripes between passes	3-8
Setting Auto Cleaning	3-10
Setting nozzle face cleaning time	3-11
Other Settings	3-12
Machine Settings	3-13
Setting a AUTO Power-off	3-16
Setting the feeding and take up	3-17
Setting the Display of Media Residual	3-18
Setting Time	3-20
Setting Units	3-21
Setting a KEY BUZZER	3-22
Selecting the head line to use	3-23
Setting a LANGUAGE	3-24
Setting a MEDIA DETECT	3-25
Setting a DRYING FEED	3-26
Setting a View Feed	3-27
Setting the amount of blank space between printed lines	3-28
Setting the feed mode of the space of no data to be printed	3-29
Set the network	3-30
Setting event mail function	3-32
Setting the Setting Lock function	3-42

Initializing the Settings	3-44
Confirming Machine Information	3-45
Check the using status of the machine	3-45
Check the machine version information	3-47
Displaying the Information of this machine	3-48

Chapter 4 Maintenance

Maintenance	4-2
Precautions for Maintenance	4-2
About Cleaning Solution	4-2
Cleaning the Exterior Surfaces	4-2
Cleaning turning bar (take-up side)	4-3
Cleaning the tension roller	4-3
Cleaning the brake roller	4-3
Cleaning the Platen	4-4
Cleaning of grit roller	4-6
Cleaning the Fabric Retainer	4-8
Maintaining the Capping Station	4-9
Cleaning around the wiper	4-9
Cleaning the wiper ink pan	4-12
Washing the Ink Discharge Passage (DISWAY WASH)	4-14
When the Machine Is Not Used for a Long Time (CUSTODY WASH)	4-15
Cleaning the Head and the Area around It	4-18
When Nozzle Clogging Cannot Be Solved	4-20
Washing of Head nozzle	4-20
Alternative nozzles for printing, when nozzles missing can not be improved	4-22
Automatic Maintenance Function	4-26
Setting the Refreshing Intervals	4-26
Setting the Cleaning Intervals	4-27
Cleaning Y motor	4-28
Replacing consumables	4-29
Replacing the wiper	4-29
If a Waste Ink Tank Confirmation Message Appears	4-30

Chapter 5 Troubleshooting

Troubleshooting	5-2
Power does not turn on	5-2
The machine does not start printing	5-2
Media get jammed / media is soiled	5-3
[HEAT] or [CONSTANT] LED does not light up	5-3
Image quality is poor	5-4
Nozzle is clogged	5-4
Ink bottle warning appears	5-5
If an error related to the sub tank occurs (Error 618 to 61b)	5-6
If nozzle missing due to color mixture of ink or aeration ...	5-7
If negative pressure abnormality occurs	5-9

If a head failure error is displayed	5-11
Warning / Error Messages	5-13
Warning messages	5-13
Error messages	5-17

Chapter 6 Appendix

Specifications	6-2
Machine specifications	6-2
Ink specifications	6-3
Setting orders depending on ink type	6-4
Setting orders of ink bottles	6-4
Sheet for inquiry	6-5
Warning labels	6-6
Function Flowchart	6-8

DISCLAIMER OF WARRANTY

THIS LIMITED WARRANTY OF MIMAKI SHALL BE THE SOLE AND EXCLUSIVE WARRANTY AND IS IN LIEU OF ALL OTHER WARRANTIES, EXPRESS OR IMPLIED, INCLUDING, BUT NOT LIMITED TO, ANY IMPLIED WARRANTY OF MERCHANTABILITY OR FITNESS, AND MIMAKI NEITHER ASSUMES NOR AUTHORIZES DEALER TO ASSUME FOR IT ANY OTHER OBLIGATION OR LIABILITY OR MAKE ANY OTHER WARRANTY OR MAKE ANY OTHER WARRANTY IN CONNECTION WITH ANY PRODUCT WITHOUT MIMAKI'S PRIOR WRITTEN CONSENT.

IN NO EVENT SHALL MIMAKI BE LIABLE FOR SPECIAL, INCIDENTAL OR CONSEQUENTIAL DAMAGES OR FOR LOSS OF PROFITS OF DEALER OR CUSTOMERS OF ANY PRODUCT.

Requests

- This Operation manual has been carefully prepared for your easy understanding. However, please do not hesitate to contact a distributor in your district or our office if you have any inquiry.
- Description contained in this Operation manual are subject to change without notice for improvement.

FCC Statement (USA)

This equipment has been tested and found to comply with the limits for a Class A digital device, pursuant to Part 15 of the FCC Rules. These limits are designed to provide reasonable protection against harmful interference when the equipment is operated in a commercial environment. This equipment generates, uses and can radiate radio frequency energy and, if not installed and used in accordance with the Operation manual, may cause harmful interference to radio communications.

Operation of this equipment in a residential area is likely to cause harmful interference in which case the user will be required to correct the interference at his own expense.

In the case where MIMAKI-recommended cable is not used for connection of this device, limits provided by FCC rules can be exceeded.

To prevent this, use of MIMAKI-recommended cable is essential for the connection of this printer.

Interference to televisions and radios

The product described in this manual generates high frequency when operating.

The product can interfere with radios and televisions if set up or commissioned under improper conditions.

The product is not guaranteed against any damage to specific-purpose radio and televisions.

The product's interference with your radio or television will be checked by turning on/off the power button of the product.

In the event that the product is the cause of interference, try to eliminate it by taking one of the following corrective measures or taking some of them in combination.

- Change the orientation of the antenna of the television set or radio to find a position without reception difficulty.
- Separate the television set or radio from this product.
- Plug the power cord of this product into an outlet which is isolated from power circuits connected to the television set or radio.

Foreword

Congratulations on your purchase of MIMAKI color ink jet printer "Tx500 Series" .
"Tx500 Series" is a color inkjet printer that can print with Sublimation dye ink realizing high speed and high image quality.

About usable ink

Usable ink for this machine is Sublimation dye ink (four-color / six-color model).

- 4-colors version : 2 each of Blue, Magenta, Yellow and Black color ink bottle are use.
- 6-colors version : 1 each of Blue, Magenta, Yellow, Black, Light blue and Light magenta color ink bottle (2 each of Yellow and Black only) are use.

On This Operation manual














- This Operation manual is describing the operations and maintenance of "Color inkjet printer Tx500 Series" (called as this machine hereafter)
- Tx500-1800DS is identical with models TAPR672-180.
- Read this Operation manual carefully and understand them thoroughly to use.
- It is also necessary to keep this Operation manual on hand.
- This Operation manual has been carefully prepared for your easy understanding, however, please do not hesitate to contact a distributor in your district or our office if you have any inquiry.
- Descriptions contained in this Operation manual are subject to change without any notice for improvement.
- You can also download the latest manual from our website.

Safety Precautions

Symbols

Symbols are used in this Operation Manual for safe operation and for prevention of damage to the machine. The indicated sign is different depending on the content of caution. Symbols and their meanings are given below. Please follow these instructions as you read this manual.

Examples of symbols

Meaning	
	Failure to observe the instructions given with this symbol can result in death or serious injuries to personnel. Be sure to read it carefully and use it properly.
	Failure to observe the instructions given with this symbol can result in injuries to personnel or damage to property.
	Important notes in use of this machine are given with this symbol. Understand the notes thoroughly to operate the machine properly.
	Useful information is given with this symbol. Refer to the information to operate the machine properly.
	Indicates the reference page for related contents.
	The symbol "  " indicates that the instructions must be observed as strictly as the CAUTION instructions (including DANGER and WARNING instructions). A sign representing a precaution (the sign shown at left warns of hazardous voltage) is shown in the triangle.
	The symbol "  " indicates that it is the forbidden action. If there is a concrete instruction, it is indicated in or around the symbol "  ".
	The symbol "  " indicates that the action is forced to be done or the instruction must be observed. If there is a concrete instruction, it is indicated in the symbol "  ".

Warning for Use



WARNING



- Do not use the machine in a poorly ventilated room or a closed room.
- Take care not to damage, break or work upon the power cable. If a heavy material is placed on the power cable, or if it is heated or pulled, the power cable can break, thus resulting in fire or electric shocks.
- Avoid locating the machine in a damp environment. Do not splash water onto the machine. Use in such an environment can give rise to fire, electric shocks or breakdown of the machine.
- Use it with the displayed power supply specifications. The power-supply voltage of this machine shall be single-phase 200 to 240 Vac 20 A and less. (You cannot use this machine in the 100V system.)
- Use of the machine under an abnormal condition where it produces smoke or strange smell can result in fire or electric shocks. If such an abnormality is found, be sure to turn off the power button immediately and unplug the cable from the wall outlet. Check first that the machine no longer produces smoke, and then contact your distributor or a sales office of MIMAKI for repair. Never repair your machine and ink bottle by yourself since it is very dangerous for you to do so.
- Never disassemble or remodel the main unit of the machine or the ink bottle. Disassembly or remodeling can result in an electric shock or breakdown of the machine.
- Take care that no dust or dirt sticks to platen heaters. Dust and dirt sticking heaters can cause fire.



Hazardous Moving Parts

Keep Fingers and Other Body Parts Away


Precautions in Use




CAUTION


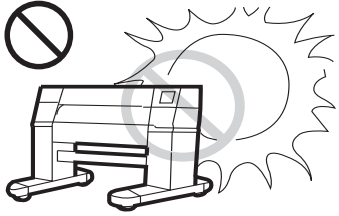
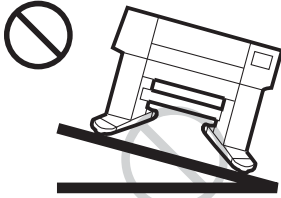

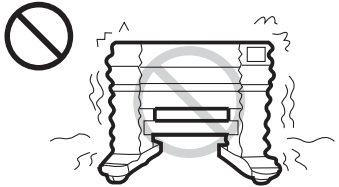
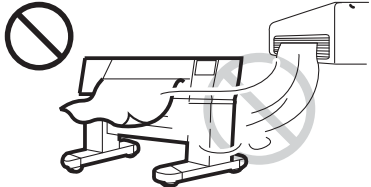
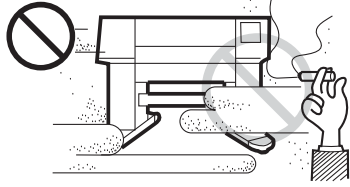
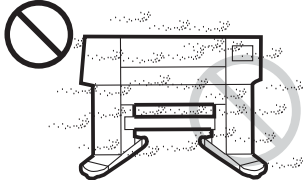
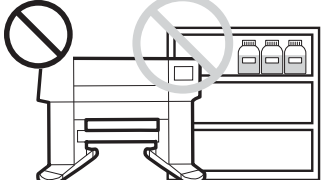
CAUTION	
Power supply	Handling of the power cable
<ul style="list-style-type: none"> • Leave the breaker turned ON. • Do not turn off the main power switch on the right side of this machine. 	<ul style="list-style-type: none"> • Use a power cable attached to this unit. • Take care not to damage, break or work on the power cable. If a heavy matter is placed on the power cable, heated or drawn, the power cable can break to cause fire or electric shocks. • Connect to a socket-outlet with determinate polarity.
Heater	Handling of ink
<ul style="list-style-type: none"> • Do not spill liquid on the heater as this may cause failure or firing. • Do not touch heater with bare hand while it is hot; otherwise, you can get burned. 	<ul style="list-style-type: none"> • If you get ink in your eyes, immediately wash your eyes with a lot of clean water for at least 15 minutes. In doing so, also wash eyes to rinse ink away completely. Then, consult a doctor as soon as possible. • If anyone drinks ink by mistake, keep him or her quiet and see a doctor immediately. Do not allow him or her to swallow the vomit. After that, contact the Poison Control Center. • If you inhale a lot of vapor and feel bad, immediately move to a location of fresh air and then keep yourself warm and quiet. Then, consult a doctor as soon as possible.
Note on maintenance	
<ul style="list-style-type: none"> • When cleaning the External ink supply unit or the heads, make sure to wear the attached gloves. 	
About usage environment	
<ul style="list-style-type: none"> • Do not use the machine in a place with high temperature (more than 30 °C (86°F)). If you use it in such a place, nozzle clogging may occur, and it cannot be recovered even if you perform head cleaning etc. • Do not use the machine in a place with low temperature/ low humidity (less than 20°C (68°F)/35 % (Rh)). Static may be generated, and it may affect the printing quality. 	

CAUTIONS and NOTES

 Warning	
Handling of ink bottles	Front cover and lever
<ul style="list-style-type: none"> • Use the Tx500 genuine ink. Remember that the user shall be filled for a repair to correct any damage resulting from the use of ink other than the exclusive type. • The machine does not operate with any ink other than the Tx500 genuine ink. • Do not use the Tx500 genuine ink with other printers, as doing so may cause damage to such machines. • If the ink bottle is moved from a cold place to a warm place, leave it in the room temperature for three hours or more before using it. • Open the ink bottle just before installing it in the machine. If it is opened and left for an extended period of time, normal printing performance of the machine may not be ensured. • Make sure to store ink bottles in a cool and dark place. • Store ink bottles and waste ink tank in a place that is out of the reach of children. • Be sure to thoroughly consume the ink in the ink bottle, once it is opened, within three months. If an extended period of time has passed away after opening the ink bottle, printing quality would be poor. • Neither pound the ink bottle nor shake it violently, as doing so can cause leakage of ink. • Do not touch or stain the contacts of the IC chip, as doing so may cause damage to the print circuit board. • Waste ink is equivalent to waste oil of industrial waste. Request an industrial waste disposal company for disposal of waste ink. 	<ul style="list-style-type: none"> • Never open the front cover or raise the lever during printing. Opening the cover or raising the lever will abort printing.
	Handling of media
	<ul style="list-style-type: none"> • Use media recommended by MIMAKI to ensure reliable, high-quality printing. • Set the heater temperature to meet the characteristics of the media. Automatic temperature setting can be made on the operation panel by setting the profile on the dedicated RIP. For setting on the RIP, refer to the instruction manual for your RIP. • When using a fabric with curling, be sure to remove the curling before using. Strong curling may effect on the quality of printing or may hit the head nozzle surface and may cause discharging defect. • Do not leave pre-treated fabric media set. Medicant of pre-treatment agent may promote rust of the grit roller. • Do not leave the media with the heater ON for a long time.
	Protection of media from dust
	<ul style="list-style-type: none"> • Store media in a bag. Wiping off dust accumulated on media will adversely affect the media due to static electricity. • When leaving the workshop after the working hours, do not leave any media on the roll hanger. If any media is left on the roll hanger, it can get dusty.

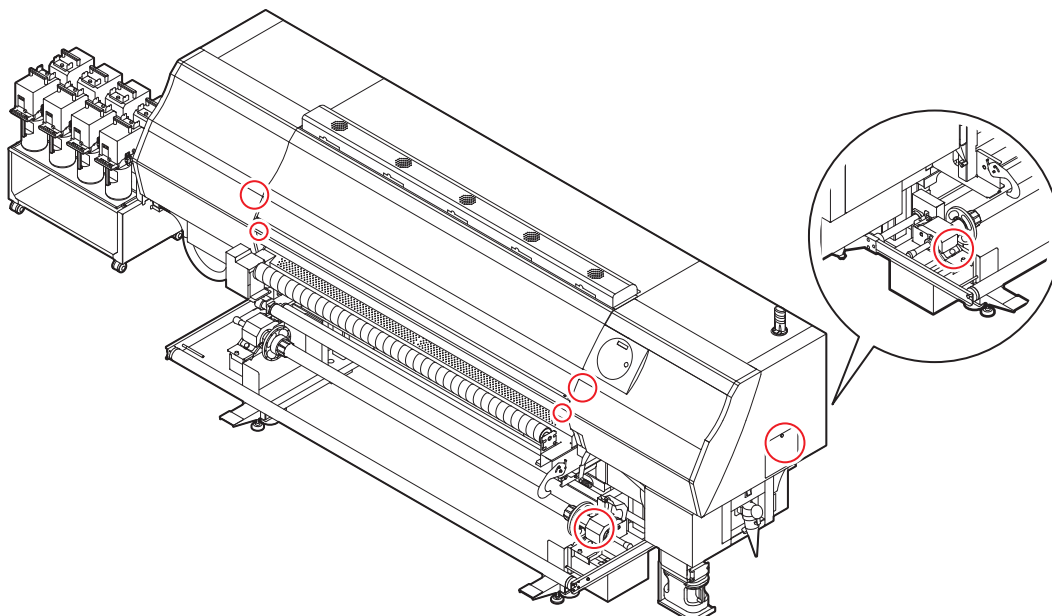
 Warning	
Notes on maintenance	
<ul style="list-style-type: none"> • It is strongly recommended to use the machine in a room that is not dusty. • Keep the front cover closed even when the machine is not printing. If not, dust can accumulate on the nozzles in the heads. • Dust in the heads can also cause drops of ink to fall suddenly down on the media during printing. In such a case, be sure to clean up the heads. (P.4-18 "Cleaning the Head and the Area around It") • When cleaning the ink-station or the heads, make sure to wear the attached gloves. • Perform wiping (removal of dust and paper powder) of the capping station and wiper frequently. 	
Periodic replacement parts	
<ul style="list-style-type: none"> • Some parts of this machine must be replaced with a new one periodically by service personnel. Be sure to make a contract with your distributor or dealer for After sale service to ensure a long life of your machine. 	
Disposition of this machine	
<ul style="list-style-type: none"> • When discarding this machine, request the treatment of it for an industrial waste disposal contractor. • Treat it properly in compliance with regulation in the local area. 	

Cautions on Installation

 CAUTION		
A place exposed to direct sunlight	On an inclined surface	A place where temperature or humidity varies significantly
		 <ul style="list-style-type: none"> • Use the machine under the following environmental conditions: • Operating environment: 20 to 30 °C (68 to 86 °F) 35 to 65 % (Rh)
A place that vibrates	A place exposed to direct air flow from an air conditioner or the like.	Around a place where fire is used
		
A place with much dust	A place with chemicals around	
		

Safety interlock

This machine is equipped with interlocks to terminate the operation for your safety when the cover opens during printing etc. (red circle parts in the figure below).



Chapter 1

Before Use



This chapter

describes the items required to understand before use, such as the name of each part of the machine or the installation procedures.

About installing this machine	1-2	Connecting Cables	1-10
Where to Install This Machine	1-2	Connecting USB2.0 Interface Cable	1-10
Working Environmental Temperature	1-2	Connecting Power Supply Cable	1-11
About fixing machine	1-3	Setting ink bottles	1-12
Moving This Machine	1-3	Caution in handling of ink bottles	1-16
Names of Parts and Functions	1-4	Media	1-17
Front Side of the Machine	1-4	Usable sizes of media	1-17
Rear Side and Right Side of the Machine ...	1-5	Precautions in handling the fabric	1-17
Operation Panel	1-6	Limited media	1-18
Heater	1-7		
Carriage	1-8		
Capping station	1-8		
Pinch rollers and Grit rollers	1-9		
Indicator	1-9		

About installing this machine

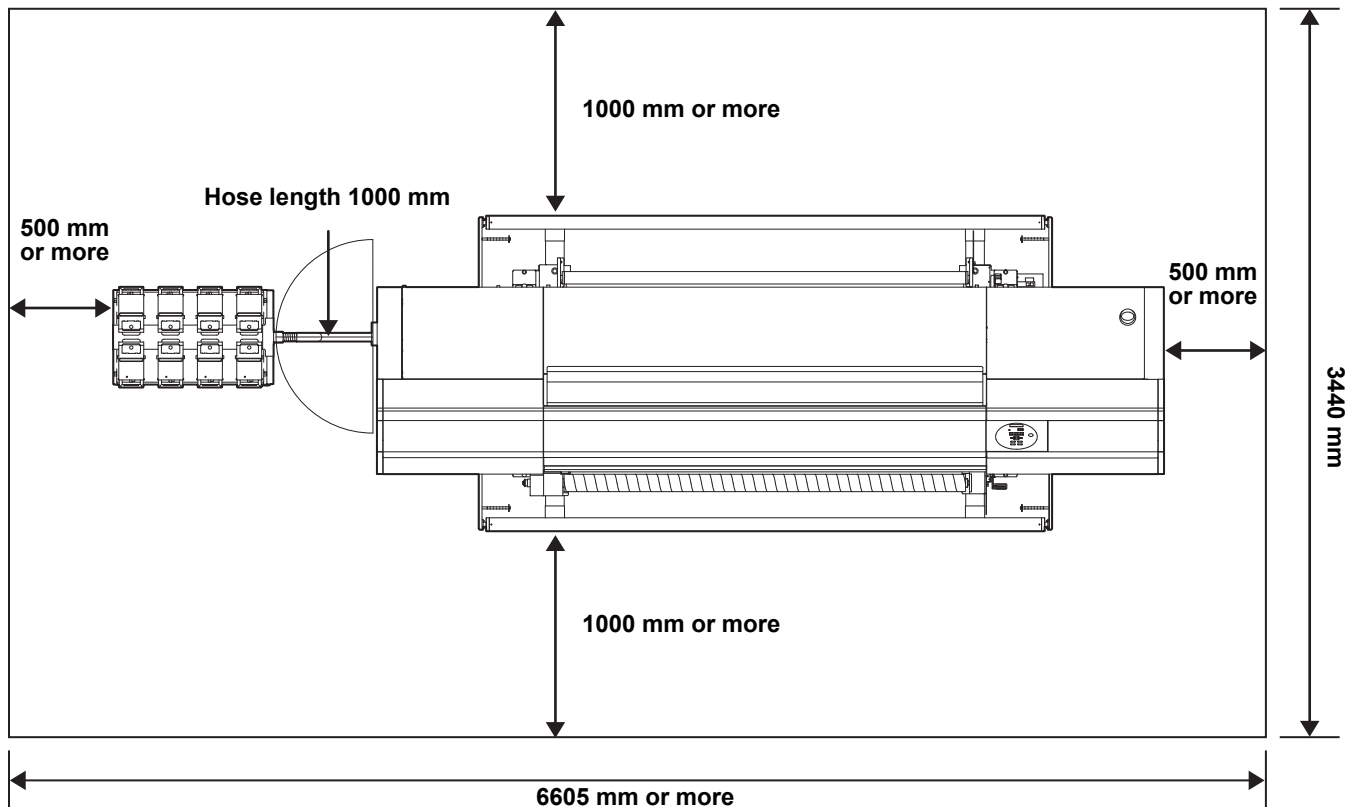
Where to Install This Machine

Secure a suitable installation space before assembling this machine.

The place of installation must have enough space for not only this machine itself, but also for the printing operation.

Model	Width	Depth	Height	Gross weight
Tx500-1800DS	3830mm	1440mm *1	1700mm	750kg
External ink supply unit	775mm	490mm	785mm	30kg

*1. When the tension bar is flat



Important!

- Depending on the environment in which you have installed this machine, it is necessary to attach the external heater. When you attach the external heater, contact a distributor in your district or our office to call for service.

Working Environmental Temperature

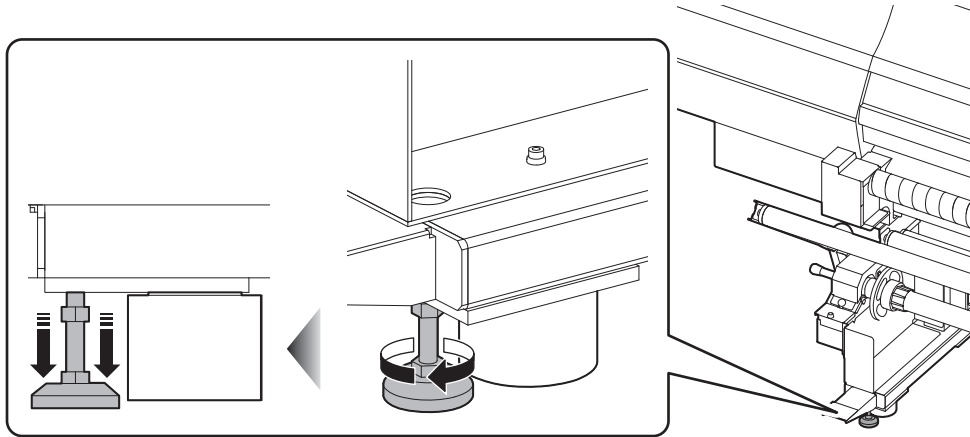
Use this machine in an environment of 20 to 30°C to ensure reliable printing.

The heater temperature may not reach the set value, depending on the ambient temperature.

About fixing machine

The leg of this machine has the level foot to fix the machine.

Before turning the power ON, make sure that the printer body is fixed with the leveling feet. The printer body may start moving during operation if it is not fixed with the leveling feet.



- Put the supplied iron base plate (black) between each leveling foot and the floor. To hold the weight of the printer, using plate is recommended.

Moving This Machine



- When the machine is moved to any place other than on the same step-free floor, contact your distributor or our service office.
If you move it by yourself, failure or damage may occur.
Be sure to request your distributor or our service office to move this machine.

Names of Parts and Functions

Front Side of the Machine

Left maintenance cover

Open the cover in maintenance.
Even when the power button is off, keep all covers closed.

Front cover

Open the cover in setting of medias, taking of measures against jamming of medias or in maintenance inside the station.

Even when the power button is off, keep this cover and the other covers closed.

Fabric retainer frame

The printed fabric is printed out, sliding on the fabric retainer frame.

Heater

Fixes and dries the ink on the currently produced print. (at the back of the tension roller)

Operation panel

This panel has the operation keys required for operating the machine and the LCDs for displaying setting items, etc.

Right maintenance cover

Open the cover in maintenance.

Waste ink tank

Waste ink gathers in this tank.

Take-up device

Take up the output drawn with a roll medium automatically.

External ink supply unit

Set the ink bottle.

Ink bottle

Each bottle contains an ink of a particular color.

Stand

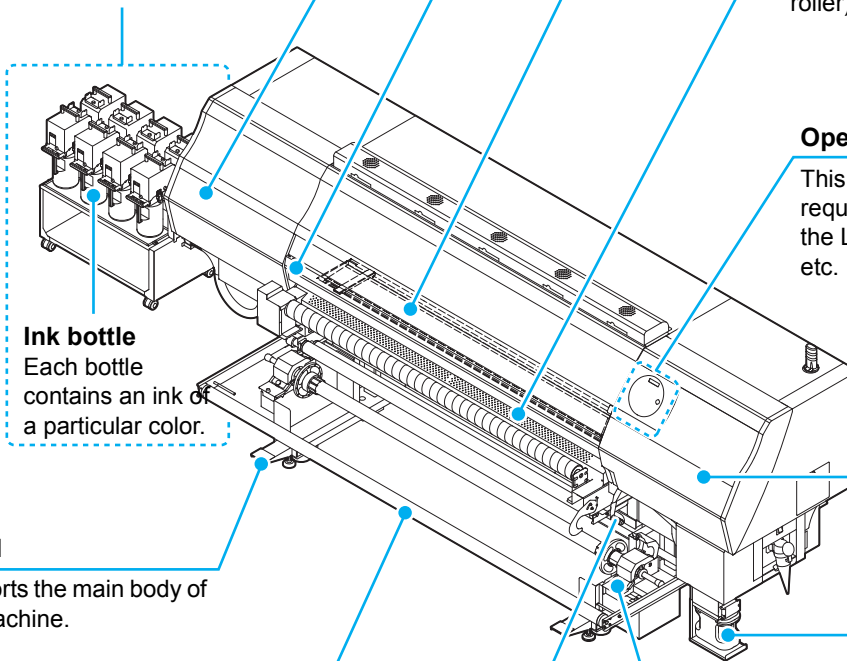
Supports the main body of the machine.

Take-up tension bar

It supports to adjust the tension to wind up roll fabric.

Clamp lever (front)

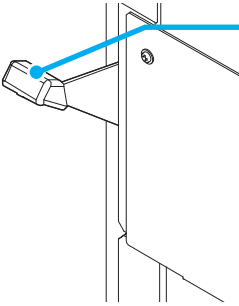
Moves the pinch rollers up and down to hold or release the media.



Rear Side and Right Side of the Machine

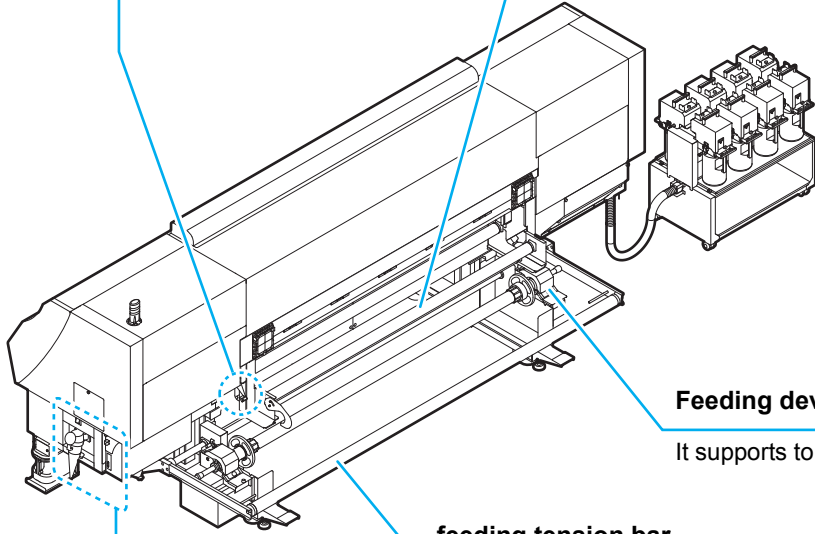
1
Before Use

Clamp lever (rear)



Interlocks with the clamp lever in the front of this machine.

Roll holders



Putting this into the paper core (right and left) of a narrow roll medium (less than 1m), hold the medium. It supports the paper core of 2 inch and 3 inch.

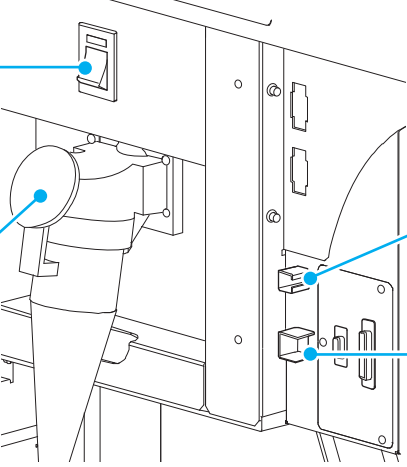
Feeding device

It supports to feed the fabric.

feeding tension bar

It supports to adjust the tension to feed the roll fabric.

Main power switch



Turns on/off the main power for this machine. Leave the main power turned on to prevent ink clogging.

AC inlet

Connect the power cable to the AC inlet.

USB 2.0 connector

This is USB2.0 interface connector.

LAN connector

Please use this connector when you use event mail function.

Operation Panel

Use the operation panel to make settings for printing or operate this machine.

CONSTANT lamp

Lights in green when the heater temperature reaches the set temperature.

HEAT lamp

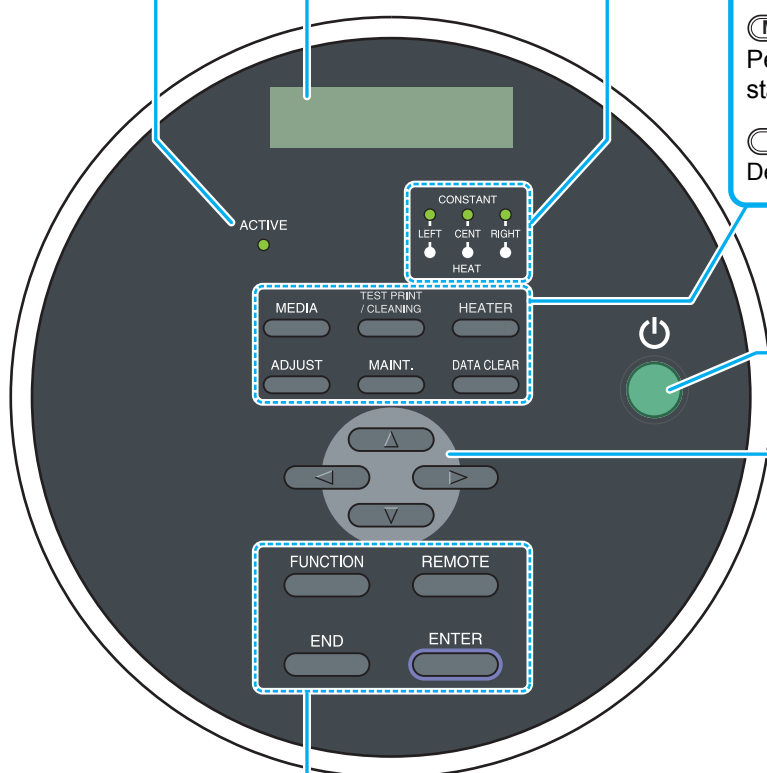
Lights in orange during heating up of the heater.

ACTIVE lamp

Blinks in receiving or drawing data.

Display

Displays the status of the machine, set items and errors.



MEDIA key

Use this when setting media reset and the head gap.

TEST PRINT/CLEANING key

Draws test patterns to check if there are any drawing failures such as ink clogging. Or executes Head cleaning at ink clogging.

HEATER key

Use this key to set the temperatures of the Pre-heater, Print heater and Post-heater or check the current temperature of the platen.

ADJUST key

Performs the adjusting function such as "Drop.POScorrect" and "Feed COMP."

MAINT. key

Performs the maintenance function such as station maintenance.

DATA CLEAR key

Deletes the data that have been received.

Power switch *1

Turns on/off the power to the machine.

JOG key

Use these keys to shift the carriage or the media in [LOCAL]. Also use them to select an item of printing conditions.

FUNCTION key

Use this key to display function setting menu.

END key

Cancels the last input value or returns the setting menu to the immediate higher level of the hierarchy.

REMOTE key

Use this key to switch between [REMOTE] and [LOCAL].

ENTER key

Registers the last input value as the setting value or goes to the immediate lower level of the hierarchy.

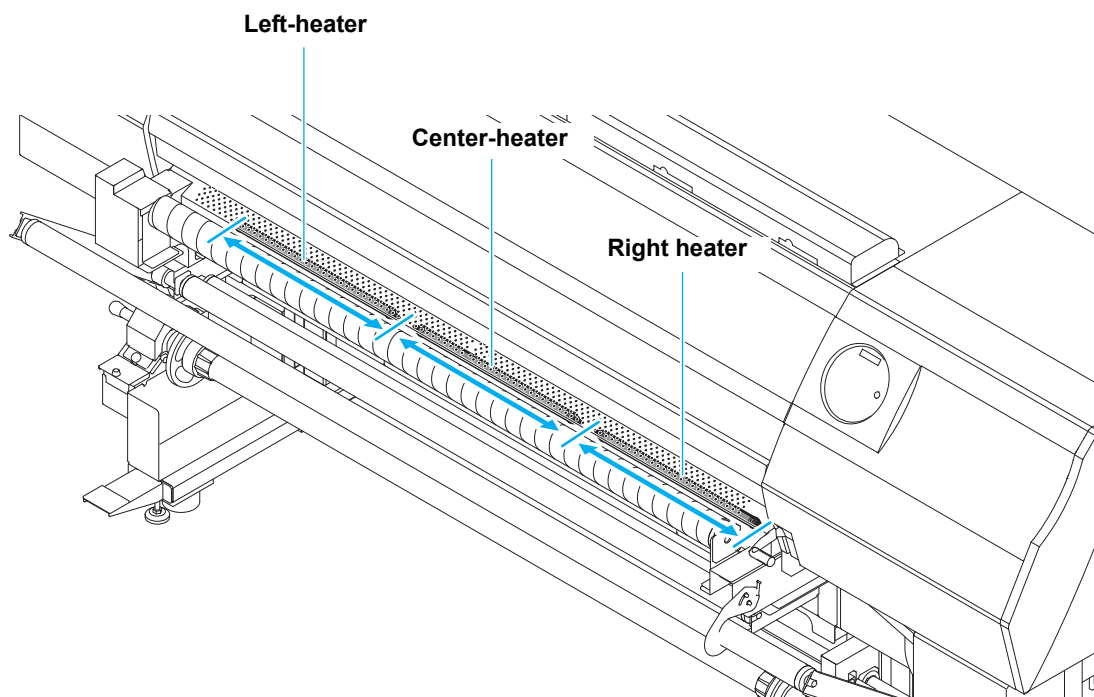
*1: The power switch under the operation panel lights in green when the power is turned on, and blinks when the power switch is turned off. The ink clogging prevention function is periodically operated even when the power switch is OFF if the main power switch keeps being ON. (Auto maintenance function) P.1-5

Heater

This machine has a built-in right-heater/ center-heater/ left-heater. Use them depending on the width of the media to be used.

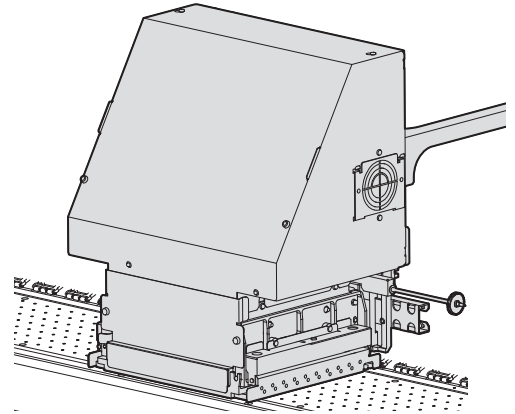


- Do not replace the media or clean the platen etc. with the heater in the state of high temperature after heating it. It may cause burning yourself.
- When you replace the media with a thinner one, perform the work after the heater temperature decreases enough. If you perform it with the heater in the state of high temperature, media may block the outlet of drying fan, and the heater may become too hot.
- Do not heat media with the heater for a long time when you do not print. The media may be converted, or, the heater may become too hot.
- Do not pour ink or water on the heater. It causes troubles. If the heater gets ink or water on it, contact a distributor in your district or our office to call for service.



Carriage

The carriage is provided with the heads for printing.



Capping station



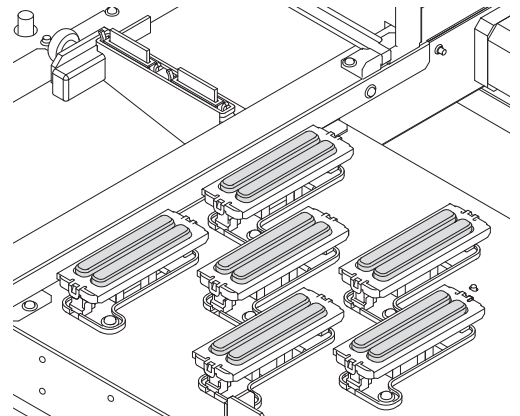
- Be sure to wear the attached goggles in cleaning within the capping station to protect your eyes against ink. Otherwise, you may get ink in your eyes.

The capping station consists of the ink caps, the wiper for cleaning the heads, etc.

The ink caps prevent the nozzles in the heads from drying up.

The wiper cleans the nozzles in the heads.

The wiper is consumable. If the wiper is deformed or the media is stained, replace the wiper with a new one. (☞ P.4-29)

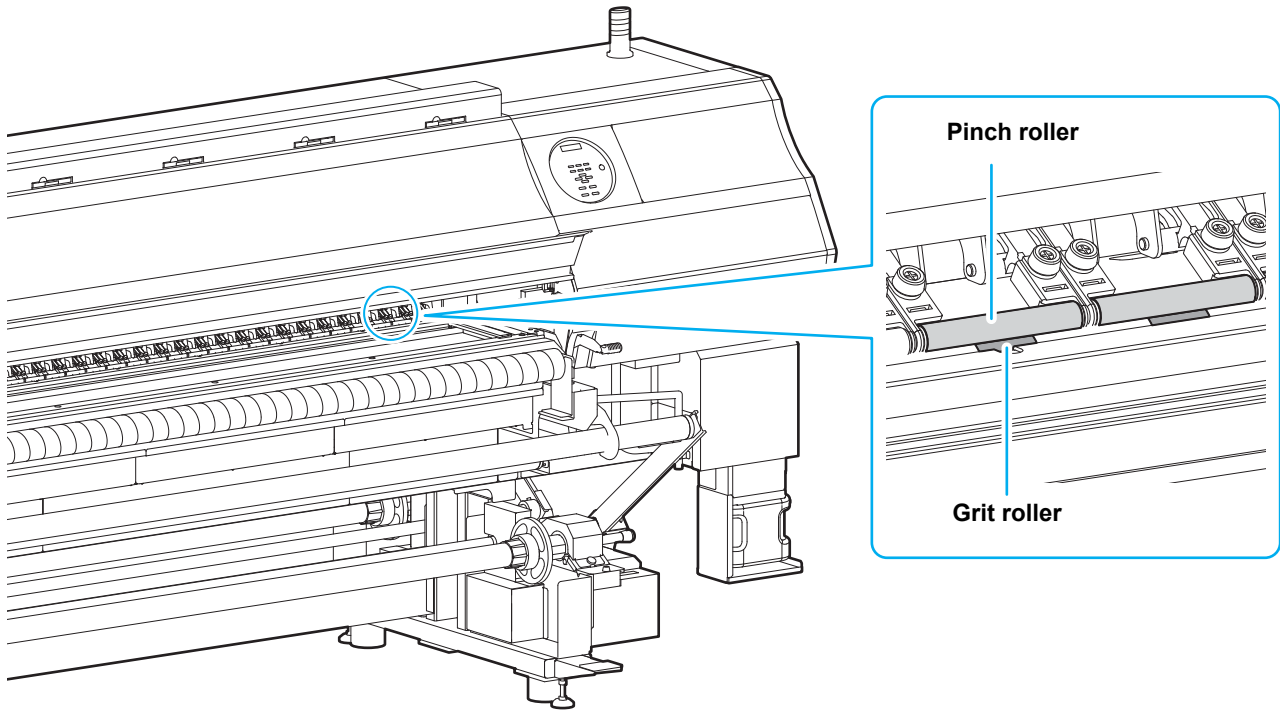


Pinch rollers and Grit rollers

Important!

- Keep the pinch rollers lifted up when this machine is not in use. If the pinch rollers are left lowered for an extended period of time, they can be deformed and fail to securely retain the media.

This machine retains the media with the pinch rollers and grit rollers. During printing operation, the feed rollers feed the media forward.



1

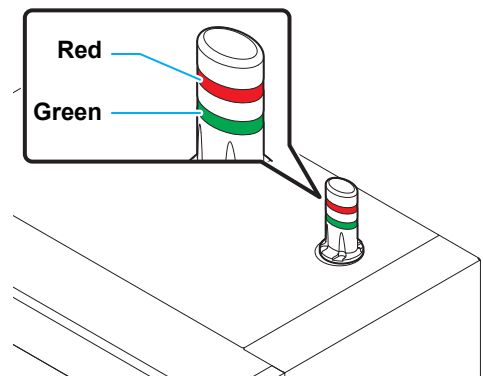
Before Use

Indicator

Functions of the Indicator on the top right of this unit are described here.

The indicator has a green and a red lamp.

Color of lamp	State of lamp	State of machine
Green	Lighting	REMOTE
	Blinking	REMOTE (printing)
	Off	LOCAL
Red	Lighting	Error has occurred (system down)
	Blinking	Error or warning has occurred
	Off	Normal



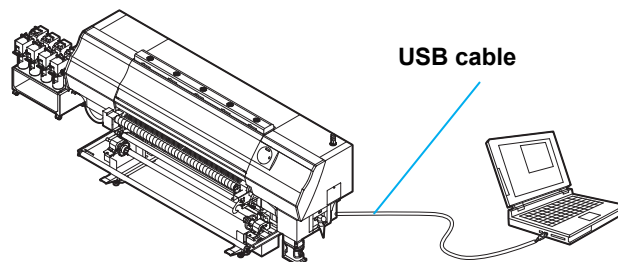
Connecting Cables

Connecting USB2.0 Interface Cable

Connect the PC and this machine with the USB2.0 interface cable.



- Your RIP must be compatible with USB 2.0.
- Contact a RIP maker near your location or our office when the USB2.0 interface is not attached to the PC.



Notes on USB 2.0 Interface

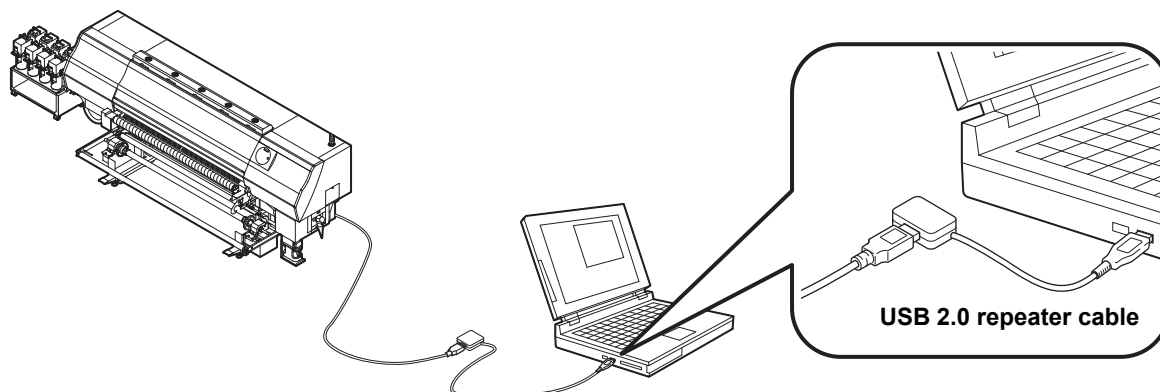


- Your RIP must be compatible with USB 2.0.

● When two or more Tx500 machines are connected to one personal computer

When two or more Tx500 machines are connected to one personal computer, the personal computer may not recognize all the Tx500 machines normally.

Reconnect the unrecognized Tx500 machine to another USB port, if available, and check to see if it is recognized. If the Tx500 machine is not recognized by the newly connected USB port, use USB 2.0 repeater cables available on the market.



● Notes on peripheral devices in USB high speed mode

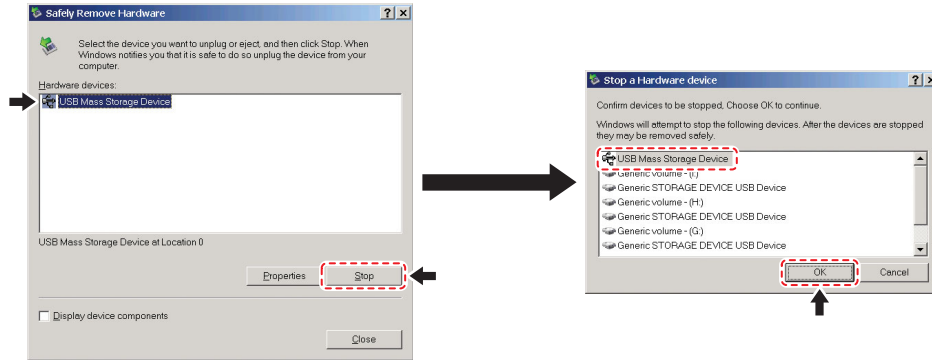
When a peripheral device (USB memory or USB HDD) to be operated in USB high speed mode is connected to the same personal computer that a Tx500 machine is connected to, the USB device may not be recognized.

When Tx500 is connected to the personal computer to which an external HDD is connected via USB, the speed of data output to Tx500 may drop. That can cause the head unit to stop temporarily at the right or left end during printing.

● Removing USB memory

If a USB memory module is inserted in the personal computer to which a Tx500 machine is connected, click "Stop" in the "Safely Remove Hardware" window by following the instructions given there first and then remove the module.

Leaving a USB memory module inserted can cause [ERROR 201 COMMAND ERROR]. Copy the data onto the hard disk before outputting it for printing.



Connecting Power Supply Cable

You are not allowed to install the printer by yourself. Be sure to request MIMAKI's service personnel and an electrician to install the printer.



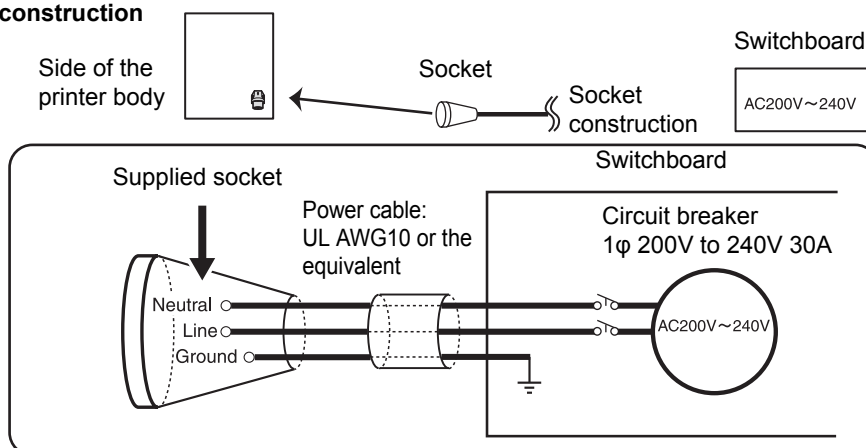
- The power supply specifications of this machine is as below:
Single-phase 200 to 240 Vac 20 A or less (cannot be used with 100 V system)
- For the power supply to the main body of the printer, electrical work is required as described below. Request an electrician to perform electrical work.
Socket installation onto the circuit breaker
Grounding work
- Ensure that a wall outlet is available near the printer. Also ensure that the power cable can be easily unplugged whenever necessary.
- To prevent electrical shock hazard, it is prohibited for anyone other than electrician licensees to perform the electrical work for this printer.
- Take care not to miswire, which can result in a fire or an electric shock.



- When any power cable other than the supplied one is to be used, make sure that the cable is equivalent to one of the following types. Connect the cable as shown below.
VCT-5.5m m² x33 cores (600 V)
UL-AWG10x3C (600V)

For power supply connection, this printer uses the Type B plug and socket in compliance with IEC 60309. When a socket construction meeting the plug of the power cable of this printer is required, use the supplied socket and perform construction between your switchboard and the socket.

Socket construction



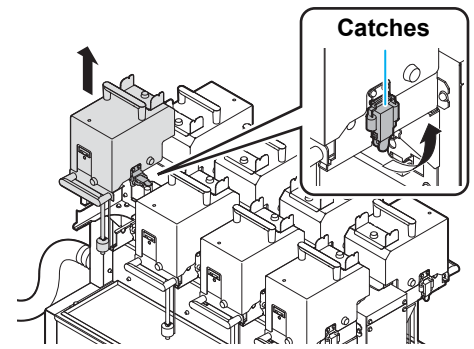
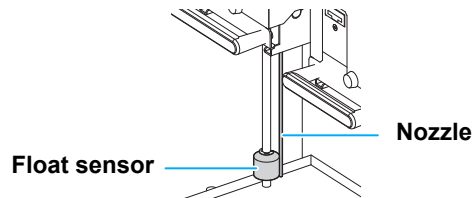
1 Before Use

Setting ink bottles

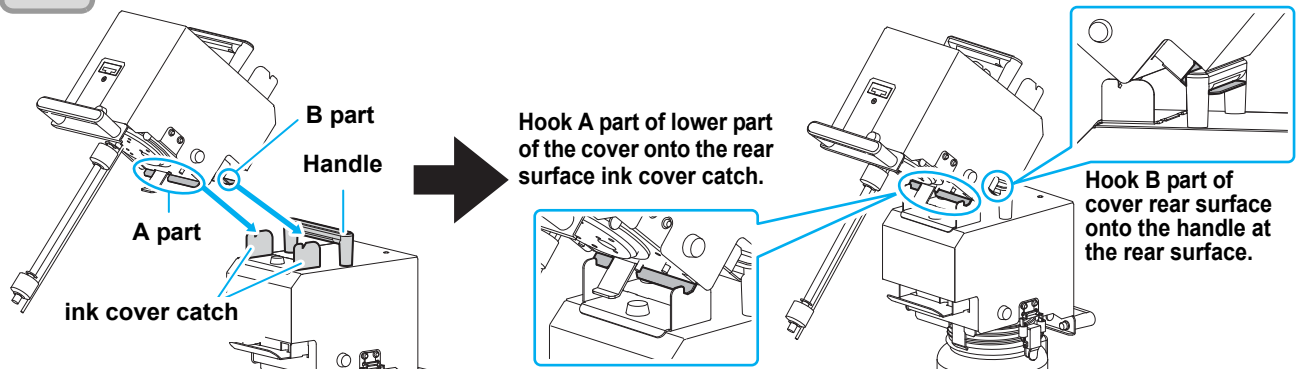
Set the ink bottle on the external ink supply unit.

1 Remove the ink cover.

- Remove both catches of the ink cover and remove the cover.
- The rear surface of the ink cover has the nozzle (stick shape) for ink absorption and the float sensor for detecting remaining amount of ink.



2 Put the removed ink cover on the ink cover of the rear surface side.



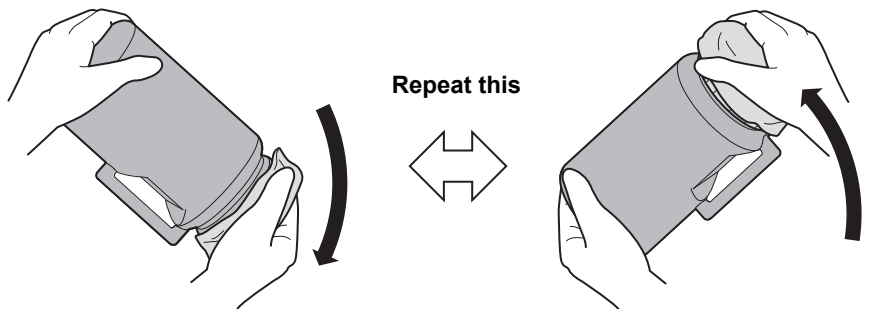
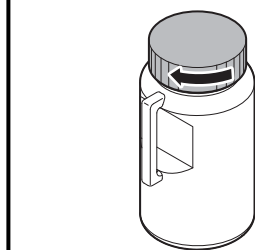
3 Take out the ink bottle, and slowly shake it twenty times and more.

- To prevent ink from leaking when you shake it, wear gloves and cover the ink bottle cap with a paper towel etc. Being in that status, slowly shake it twenty times and more by flowing ink.



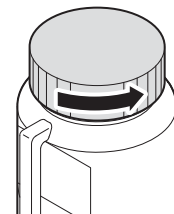
- If you shake it too strong, it may cause ink leakage. Therefore, perform this carefully.
- If the remaining amount of ink is less, ink in the bottle cannot be beaten enough. Tilt the ink bottle until it becomes vertical.

Before shaking it, check that the cap is firmly closed.



Cover with paper towel firmly and shake ink slowly

4 Remove the cap of the ink bottle.



5 Make slits in the top surface of the bottle as the figure, and push the aluminum sheet downward.

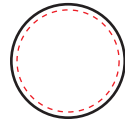
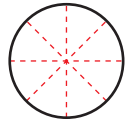
- Use a cutter etc. to make slits in the top surface.



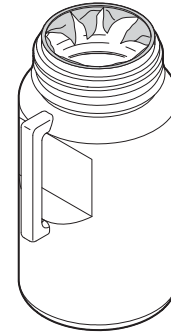
How to make slits

- When you make slits in the aluminum sheet, divide it into eight parts as shown in the figure, or, cut off the aluminum sheet along the inner side of the bottle.

Divide into eight parts.

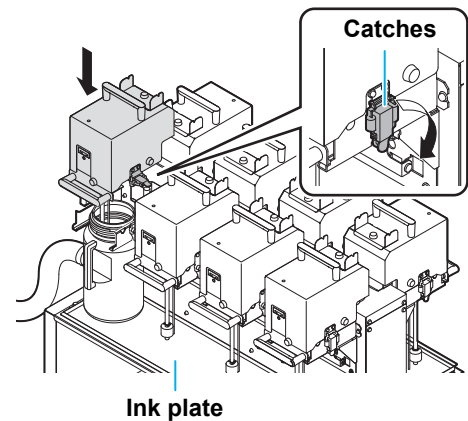


Cut off the inner side of the bottle (dotted-line part).



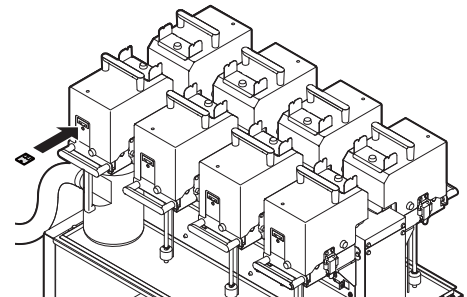
6 Set the ink bottle on the bottle holder, and attach the ink cover.

- Make the nozzle (stick shape) for absorbing ink and the float sensor for detecting remaining amount of ink so that they may be in the ink bottle.
- When ink plate gets dirty with ink etc., wipe it off with a waste cloth.



7 Insert the IC chip.

- Insert the IC chip with the surface with metal upward. If you insert the wrong side by accident, it causes faulty or damage of the IC chip.
- Do not touch the metal part of the IC chip. It may break the IC chip by static, or may cause read error by stain or flaw.
- For the setting orders of the ink bottles, refer to P.6-4.



Important!

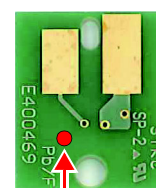
About IC chip

- The IC chip has information of ink color, remaining amount of ink, expiration data, etc. When setting the ink bottle, insert the IC chip packed with the ink bottle into the IC chip inserting port attached with the ink cover.
- If you set the IC chip not being the pair of the ink bottle, image quality defect etc. may occur.
- The mark indicating color information is pasted on the IC chip.

Ink color and indication mark

Ink color	Indication mark
Black	● (one black circle)
Blue	●● (one blue circle and one red circle)
Magenta	● (one red circle)
Yellow	● (one yellow circle)
Light blue	●●● (two blue circles and one red circle)
Light magenta	●● (two red circles)

IC chip



Mark indication position

1 Before Use

Changing an ink bottle

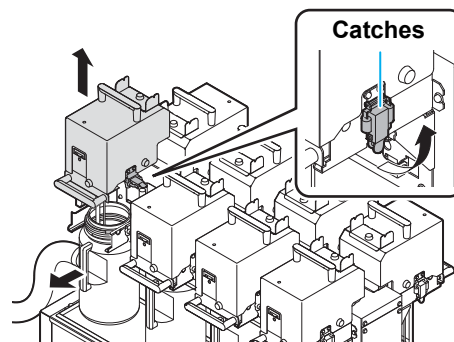
Perform as follows when [INK END] or [INK NEAR END] is displayed on the display.

● When [INK END] is displayed

1 Remove the ink cover of the ink bottle to be changed, and remove the empty (used) ink bottle.



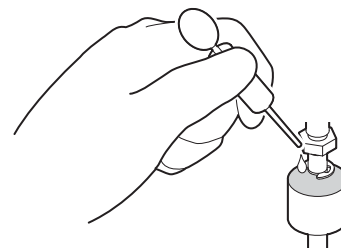
- Transfer any remaining ink into the new bottle. Make sure that no ink spills out from the ink bottle while doing so.
- When replacing the ink bottle, ink may spatter. Be careful not to get ink into your eyes.
- Before replacing the ink bottle, cover around it with a waste cloth etc. Ink may drop from the float part and may stain around the part.



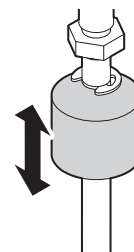
2 Check the up/ down movement of the float.

- If there is an abnormality on the float movement because dry ink adhered to it etc., perform the following procedures:

(1) Place a few drops of washing liquid on the upper part of the float.

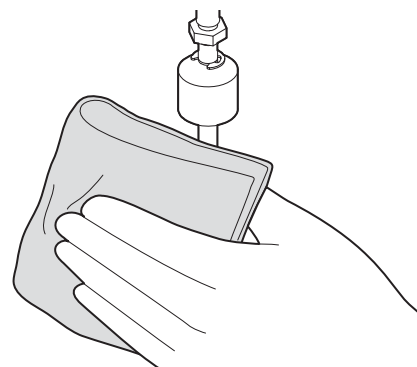


(2) Move the float up/ down to spread washing liquid evenly.



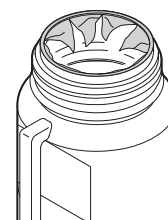
(3) When the float comes to move smoothly, wipe washing liquid adhering to the float and the pipe with a waste cloth etc.

- Move the float up/ down again and check that there is no abnormality.

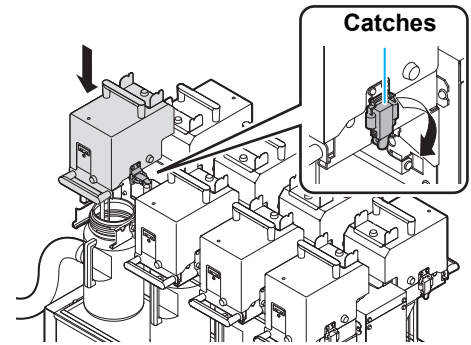


3 Remove the cap of the new ink bottle, make slits in the top surface of the bottle as shown in the figure, and push the aluminum sheet downward.

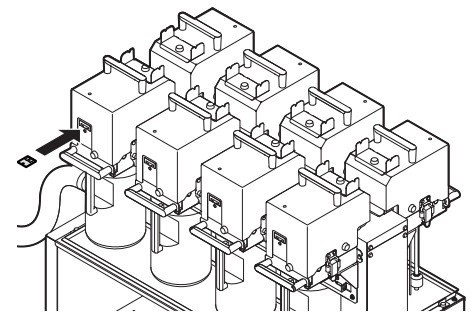
- For the way to make slits in the aluminum sheet, refer to the Step 5 of "Setting ink bottles" (☞ P.1-13).



4 Set the ink bottle on the ink holder, and attach the ink cover.



5 Insert the IC chip.



● **When [INK NEAR END] is displayed**

There is a little of ink left. It is recommended to replace the ink bottle soon since ink may become empty in printing while printing is continuously enabled. When you press the **ENTER** key in LOCAL, you can check the bottle to be replaced in the local guidance. (☞ P.3-48)

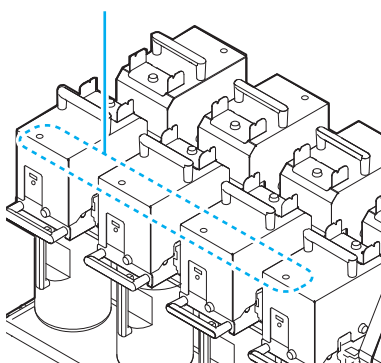


- There is approximately 200 cc of ink remaining in the bottle when [INK END] is displayed. Transfer the remaining ink into the new ink bottle when replacing the ink.

For Ink bottle lamps

The condition of the ink bottles set in the machine is confirmable with lamps located over the ink bottles.

Ink bottle lamps



Condition of Ink bottle lamp	Description
OFF	No error
Blinks in red.	There is less ink in the ink bottle (Near End). Or, one month has passed from the expiration date of ink. It will become unusable soon.
Lights in red.	There is no ink in the ink bottle, or the ink bottle cannot be used due to other ink error. (☞ P.5-5)
Blinks in red (fast).	As two months have passed from the expiration date of ink, you cannot use the ink bottle.
Lights in green.	Indicates that ink is supplied. When you use four-color ink set, this machine first supplies ink from the ink bottle whose ink expires soon.
Blinks in red and green alternately.	It blinks in red and lights in green alternately.

About ink expiration date

The ink bottle has its expiration date.

You can use the bottle in two months after the expiration date indicated on it, however, you cannot use it when three months have passed from the expiration date.

When it becomes unusable, the ink bottle lamp blinks fast in red to inform you of it. At this time, replace it with new one.

Ex.) When the expiration date is April 2012

May : Usable

June : Usable (Ink bottle lamp blinks in red.)

July : Unusable (Ink bottle lamp blinks fast in red.)

About ink end and ink near end

When it becomes Ink near end (remaining amount of ink is less), the ink bottle lamp blinks in red to inform you of it. It is recommended to replace it with new one as soon as possible.

When it becomes Ink end (remaining amount of ink is none), the ink bottle lamp lights in red to inform you of it. Replace the ink bottle.

Caution in handling of ink bottles



- If you get ink in your eyes, immediately wash your eyes with a lot of clean running water for at least 15 minutes. In doing so, also wash the eyes to rinse ink away completely. Then, consult a doctor as soon as possible.
- Use genuine ink bottles for this machine. This machine functions by recognizing the genuine ink bottles. In case of troubles caused by modified ink bottles or the like, it shall be out of the warranty even within the warranty period.
- If the ink bottle is moved from a cold place to a warm place, leave it in the room temperature for three hours or more before using it.
- Make sure to store ink bottles in a cool and dark place.
- Store ink bottles and waste ink tank in a place that is out of the reach of children.
- Request an industrial waste processor for processing of empty ink bottles.
- Be sure to thoroughly consume the ink in the ink bottle, once it is opened, within three months. If an extended period of time has passed away after opening the ink bottle, printing quality would be poor.



- Do not shake ink bottles violently. This may result in ink leakage from the ink bottles.
- Do not touch or stain the contacts of the IC chip. This may cause damages on printed circuit boards.

Usable media sizes and notes for handling are described.

Usable sizes of media

Model		Tx500-1800DS
Type of Recommended media		Pre-treated polyester material
Maximum width		1910mm
Minimum width		297mm
Maximum printing width		1820mm
Roll media	Thickness	0.2mm or less
	Roll outside diameter	Φ300mm or less
	Roll weight ^{*1}	60kg or less (when using standard take-up/ feeding unit)
	Roll inside diameter	3 inches
	Side printed	Regardless of faces out and in
	Roll end treatment	The roll end is gently fixed to the core with weak-adhesive tape or weak glue for easy removal.

*1. When holding the right and left side of roll media and when there is no deflection on the roll

Precautions in handling the fabric



- When using a media other than the following, be sure to perform test printing to confirm the plot result and then determine whether it can be used or not.
- Do not leave pre-treated fabric media set. Medicant of pre-treatment agent may promote rust of the grit roller.



- Do not leave the media with the heater ON for a long time.
- Use media recommended by MIMAKI to ensure reliable, high-quality printing.
- Set the temperature of the heater according to the type and characteristics of the media used. Automatic temperature setting can be made on the operation panel by setting the profile on the dedicated RIP. For setting on the RIP, refer to the instruction manual for your RIP. When setting the fabric used, be sure to adjust the head height. Otherwise, the fabric and/or the head can be damaged.
- If preventing treatment for fray on right and left edges and tenter are thick against the fabric thickness, adjust the head height and stainless plate height of the fabric holder depending on the thickness of the right and left edges of the fabric.
- If using fabric with thick right and left edges, as take-up slippage may easily occur because right and left edges of the roll rise at take-up. If take-up slippage occurred, fabric tends to skew and it may cause troubles such as contact with the head nozzle surface.
- Do not use a fabric with high expansion and contraction due to ink adhesion or resilient fabric. If such a fabric is used, it may cause the trouble of contact with the nozzle surface or the misaligned printing.
- When using a fabric with curling, be sure to remove the curling before using. Strong curling may effect on the quality of printing or may hit the head nozzle surface and may cause discharging defect.
- Store fabric in a bag. Wiping off dust, waste paper and flocks accumulated on a fabric will adversely affect the fabric due to static electricity.
- When you use fabric media that will easily generate static for printing, use the attached neutralization fabric. In addition, raise the humidity of the usage environment by using a humidifier etc.

Limited media

With the following media, correction from the plotter is difficult.

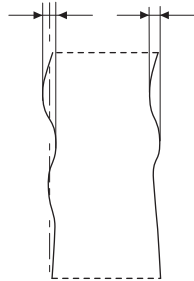
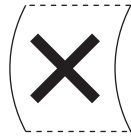
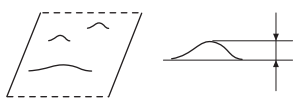
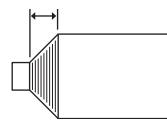
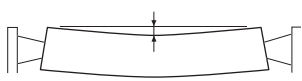
When using any of the following media, perform test printing to determine whether it can be used or not.

- High stretch fabric (Stretch materials, vertically extendable knit, etc.)
- Materials which become largely extendable when getting wet by printing.
- Materials with large width variations.
- Materials which present partial wrinkles or slacks when being spread on a flat surface or materials which are totally curved.
- Materials with large take-up shift at the ends of media when rolled.
- Roll media with a paper tube whose strength is insufficient and which bends when attached to a feeding unit.

Important!

- Even when using media other than described above, be sure to print by optional test data. After checking the printing result, judge whether it can be used or not.

Fabric conditions which enable to print

Items	Condition	Remarks
Width variation	less than $\pm 5\text{mm}$ / one side edge	
Curve when expanded	One-direction curve not allowed	
Slack height when expanded on a flat surface	1mm or less	
Displacement of roll edge	$\pm 15\text{mm}$, Cloth (width of 500mm and less) is $\pm 2\text{mm}$.	
Inner diameter of roll	3 inches	
Fabric core strength	Roll bend of 5mm or less when set (with a fabric core thickness of 5mm or more)	
Length of fabric core exposure from fabric	20mm or more	
Fixation with fabric core	Tape at up to 3 points or weak adhesion	
Roll outer diameter	ϕ 300mm or less	
Roll weight	60kg or less	
Print side	Not specified	
Fabric wrinkle	Not allowed	

Chapter 2

Basic Operations



This chapter

describes procedures and setting methods for ink and media preparation, and printing.

Workflow	2-2	Test Printing	2-31
Turning the Power ON/OFF	2-3	Test Printing	2-32
Turning the Power ON	2-3	Head Cleaning	2-33
Turning the Power OFF	2-4	About head cleaning	2-33
Setting a Media	2-5	Perform head cleaning depending on the test printing result	2-33
Maximum Print Area	2-5	Set the media feeding	2-34
Outline of media setting	2-6	Flow of media feeding correction	2-34
Checking spacer	2-7	Setting the torque limiter	2-35
Attaching neutralization fabric	2-9	Setting Feed Correction	2-36
Note for media setting	2-10	Correct the ink drop position for bidirectional printing	2-38
Setting a roll media	2-11	Printing Data	2-40
Setting leaf media	2-24	Starting a Printing Operation	2-40
Setting the Head Gap	2-26	Stopping a printing operation halfway	2-41
Changing the printing origin	2-27	Deleting Received Data (Data Clear)	2-41
Preparing for the Heaters	2-28	Behavior after printing has been completed	2-41
Changing the Temperature Settings for the Heaters	2-28		
Checking the Heater Temperature	2-29		
Test Feeding	2-30		

1 Turning the Power ON/OFF

Referring to “Turning the Power ON/OFF” (☞ P.2-3).

2 Setting a Media

Referring to “Setting a Media” (☞ P.2-5).

3 Preparing for the Heaters

Referring to “Preparing for the Heaters” (☞ P.2-28).

4 Test Feeding

Referring to “Test Feeding” (☞ P.2-30).

5 Test Printing

Referring to “Test Printing” (☞ P.2-31).

6 Head Cleaning

Referring to “Head Cleaning” (☞ P.2-33).

7 Set the media feeding

Referring to “Set the media feeding” (☞ P.2-34).

8 Correct the ink drop position for bidirectional printing

Referring to “Correct the ink drop position for bidirectional printing” (☞ P.2-38).

9 Printing Data

Referring to “Printing Data” (☞ P.2-40).

Turning the Power ON/OFF

Turning the Power ON

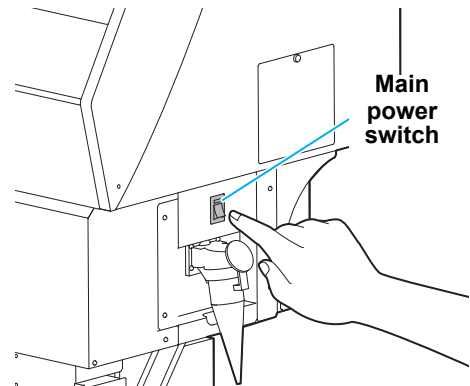
Important!

- Turn the power ON after the front cover and maintenance cover are closed.

1

Turn the main power switch ON.

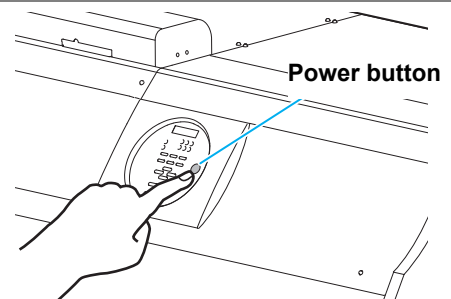
- Set the main power switches located on the side of this machine to the "I" side.



2

Push the power button.

- Push the power button located on the operation panel.



- The firmware version is displayed when the power is turned ON.
- The machine performs its initial operation.

```
Tx500      Start-up  
Ver 1.00
```

3

The machine enters LOCAL.

```
<LOCAL>
```

4

Turn ON the power of the connected PC.



- Always make the main power switch ON. If you leave it OFF, it may cause nozzle clogging of the head. In some cases, recovery may become difficult.

Important!

- When the power is turned on, flushing or cleaning are carried out automatically, and then one minute of deaeration is performed before the next operation. While performing deaeration, "SEARCHING ORIGIN" flashes on the second line and the buzzer sounds at regular intervals.

```
PLEASE WAIT  
SEARCHING ORIGIN
```

2

Basic Operations

Turning the Power OFF

When having ended the operation of the machine, turn the power OFF by pressing the power button located on the front side.

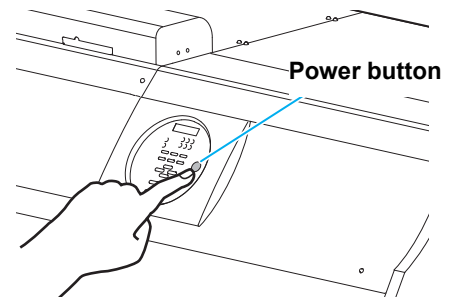
Check the following items when turning the power OFF.

- If the machine is receiving data from the PC or if there is any data that has not been output yet
- If the head has returned to the capping station
- If any error has occurred (☞ P.5-17 “Error messages”)

1 Turn OFF the power of the connected PC.

2 Press the power button to turn the power OFF.

- The power supply button goes out.
- Do not turn OFF the main power switch located on the side of the machine.
- To use this machine again, light the green lamp by pressing the power button.



Cautions about Turning the Power OFF

● Do not turn the main power switch OFF.

When the main power switch is ON, the power periodically turns ON and the nozzle clogging prevention function (flushing function) and the pressure adjusting function operate.

When the main power switch has been turned OFF, the auto maintenance functions, such as flushing, do not operate, and this may cause nozzle clogging.

● Keep the front cover and the maintenance cover closed.

If the cover is opened, the auto maintenance function such as the flushing function does not work.

● Turn the power OFF after having checked the position of the head.

If the power is turned OFF in a state where the head has not returned to the capping station, the head dries, which may cause nozzle clogging.

In this case, turn the power ON again and check that the head has returned to the capping station, and then turn the power OFF.

● Do not turn the power OFF during printing.

The head may not return to the capping station.

● After having turned the power button OFF, turn the main power switch OFF.

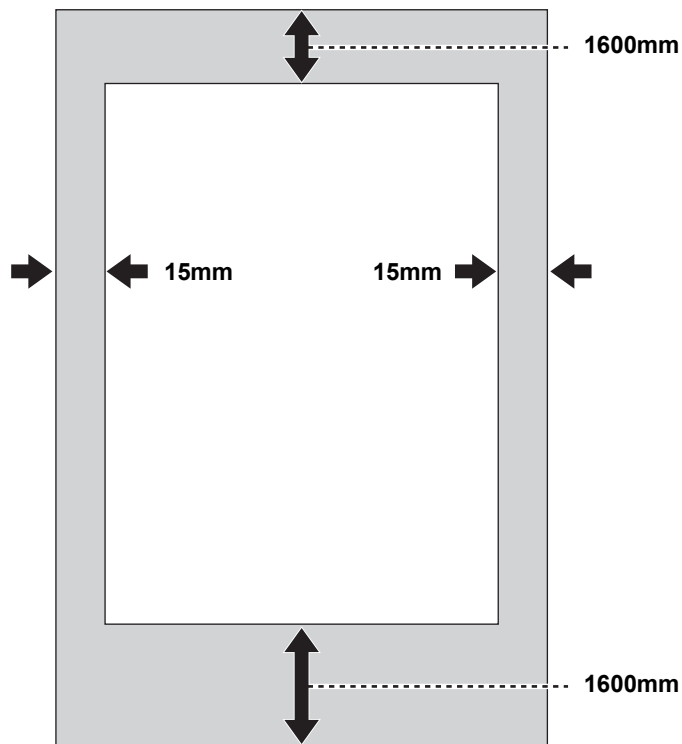
When turning the main power switch off for moving the machine or for solving the error or the like, press the power button on the front of the machine, check the display is turned off on the operation panel, and then turn the main power switch off.

Setting a Media

This machine can be used with a roll media and leaf media.
For usable medias, refer to P.1-17 "Usable sizes of media".

Maximum Print Area

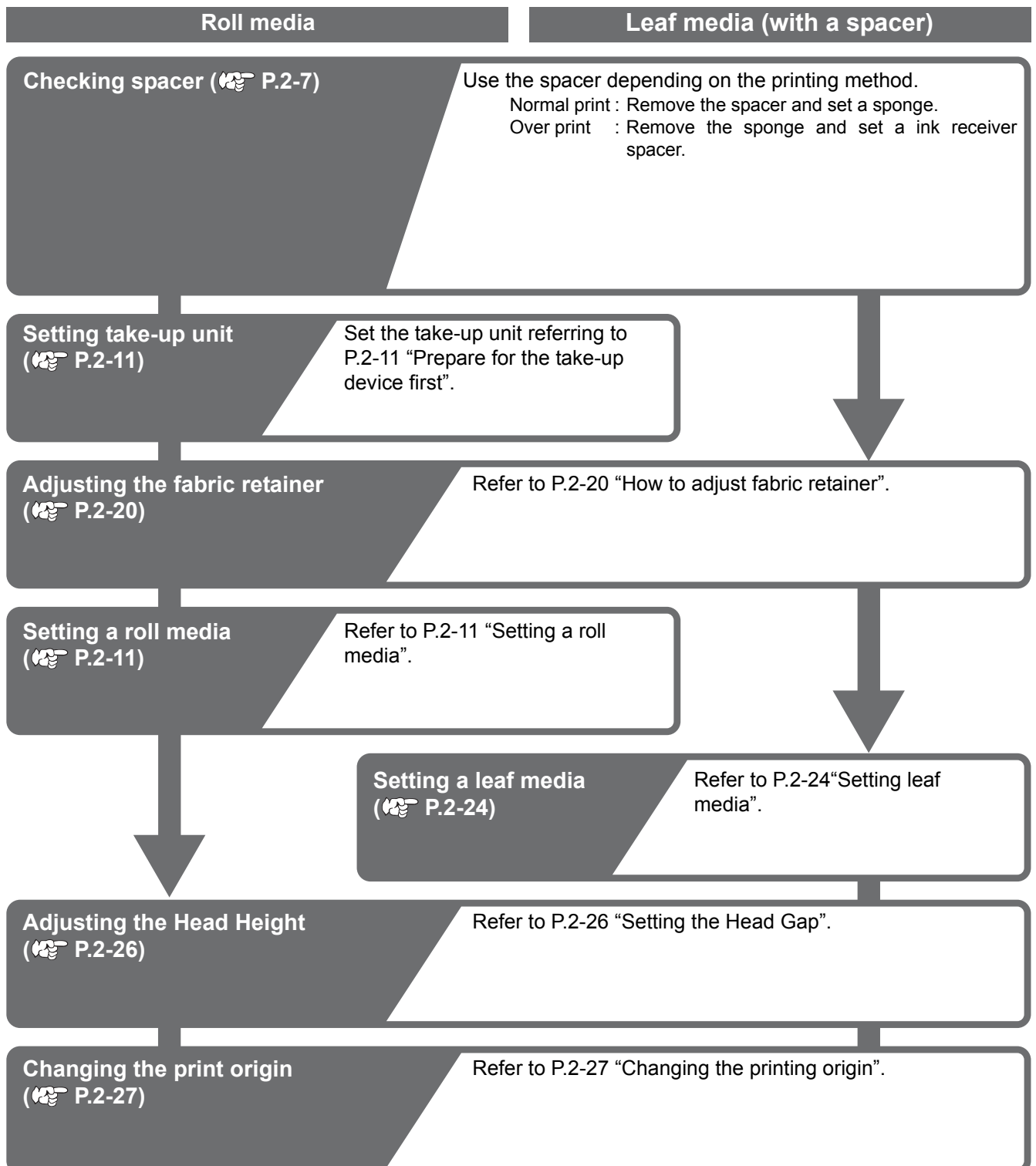
The white area shown in the following figure represents the maximum print area.
The area other than that is the dead space that cannot be printed.



- The margin at the front and rear edges of the fabric can be reduced using a guiding fabric.
- The right and left margin may be changed as required. (P.3-6)

For usable media, refer to P.1-17 "Usable sizes of media".

Outline of media setting

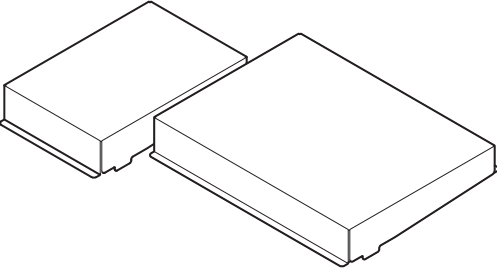
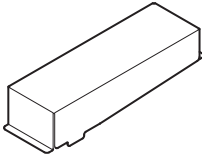
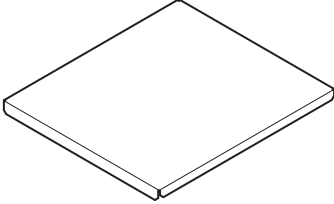


Checking spacer

Depending on the media you use and the printing method, set the spacer type (attached three types).

About each spacer

This machine provides three spacers below:

Ink receiving spacer	Fabric edge spacer	Adjusting spacer
		

- **When printing on the fabric (when over print is not performed)**

Use ink receiving spacer. (☞ P.2-8)

- **When printing on the fabric (when over print is performed)**

Use the ink receiving spacer and the fabric edge spacer. (☞ P.2-8)

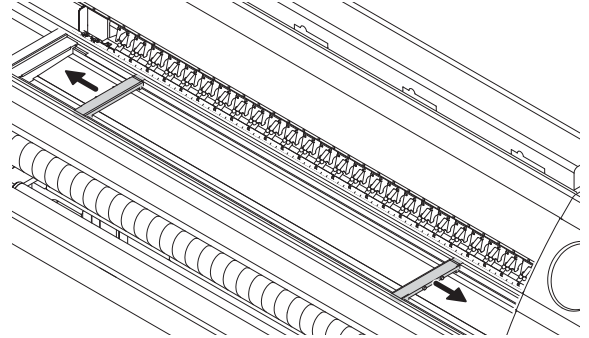
- **When you perform Drop Position correct**

Use the adjusting spacer. (☞ P.2-8)

Attaching/removing ink receiving spacer and fabric edge spacer

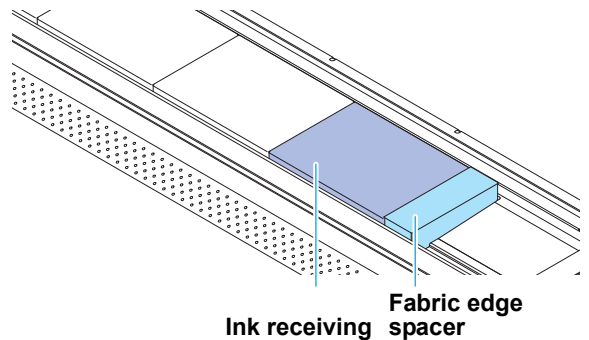
When printing, to prevent media from staining due to ink mist, be sure to set the ink receiving spacer.

- 1 Move the fabric retainer to the left and the right.



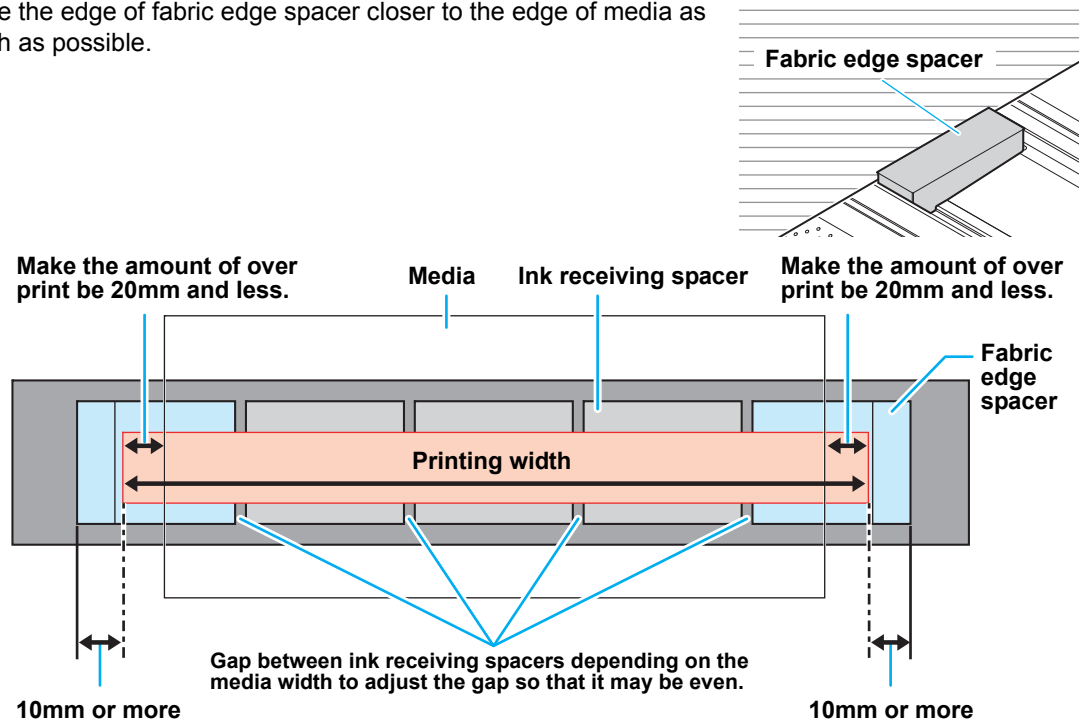
- 2 Attach the ink receiving spacer and the fabric edge spacer.

- The size of the ink receiving spacer is W: 250 mm x D: 177 mm.
- Depending on the width of the image to be printed, adjust the number of ink receiving spacers to attach.



Reference for attaching ink receiving spacer / fabric edge spacer

- Make the total width of the ink receiving spacer and the fabric edge spacer not be narrower than the width of the image to be printed.
- Adjust the number of spacers so that they are apart from right and left edges of the image by 10mm and more.
- Move the edge of fabric edge spacer closer to the edge of media as much as possible.



Attaching neutralization fabric

Depending on the media, static may be generated easily.

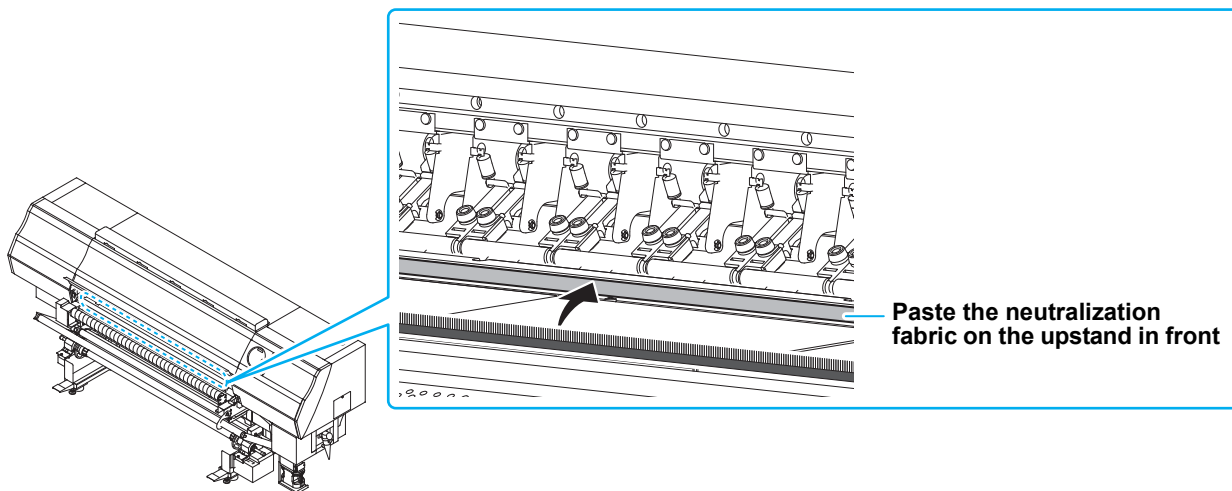
To prevent degradation of printing quality due to static, it is recommended to paste the attached neutralization fabric.



Even if you use the neutralization fabric, you cannot eliminate static completely.

- The neutralization fabric is a material to reduce effect of static. Even if you paste the neutralization fabric, you cannot prevent degradation of printing quality due to static completely.
- To reduce generation of static, it is effective to use the neutralization fabric as well as a humidifier etc.

Position to paste neutralization fabric




Note for media setting

When setting media, read the following notes carefully.



- Take care not to drop the media on your foot when setting the media. It may cause an injury due to the media.
- When setting a roll media, work by two or more people. Otherwise, you may hurt your back by the weight of the roll media.
- In the cases below, be sure to fix tension-bars on both sides of the printer. If you leave the tension-bars unfixed, the bars supported by media may fall down. Please be careful.
 - (1) When lifting up the clamp lever
 - (2) When cutting media manually
 - (3) When cutting media with tools you have (cutter, scissors, etc.)



- When a media is exposed to direct sunshine, the media may not be detected correctly.
- Do not use a printed media. Otherwise, ink can adhere to the pinch rollers and media may be stained or may not be detected.
- Straighten the significantly or internally curled media to be fed along the platen.
- If the media is left set on the machine for a long time, the media may form an irregular surface for the heat from the print-heater. If printing on such an irregular surface, the head may rub on the media. If an irregular surface is found on the media, feed the media with the  key to avoid printing on the irregular surface, and set a new origin. (☞ P.2-27)
- Set the media based on the right side of the main body.
- Periodically replace the paper core for taking up the media. If you use the one whose inner has been peeled due to long-term use as shown in the right photo, taking up the media cannot be performed normally in some cases.



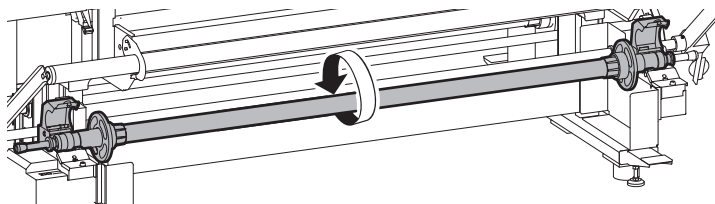
How to use paper core support

If the roll shaft bends when setting a heavy roll media etc., first attach the paper core support on the roll shaft and then set the media.



● Check the curvature of the roll shaft.

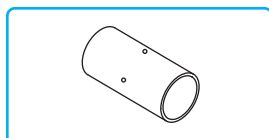
Open the cover for right and left of the feeding device at the rear of the machine. Rotate the feeding roll shaft. The downward side when the shaft stops is the curved side.



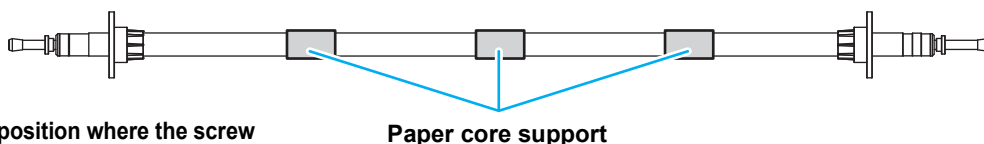
● Position to attach paper core support

Set the paper core support at the position in the figure.

Make the curved side downward, and tighten the paper core support with the screw on the position where the screw holes (for two positions) of the paper core support face upward.



Tighten it with the screw on the position where the screw holes face upward.



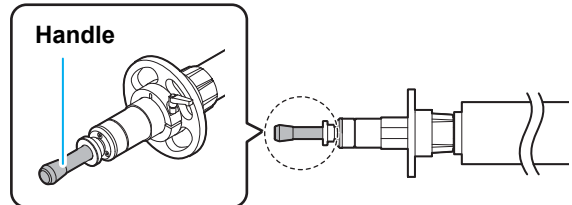
Setting a roll media

Prepare for the take-up device first

Prepare for the take-up device before setting the roll media.



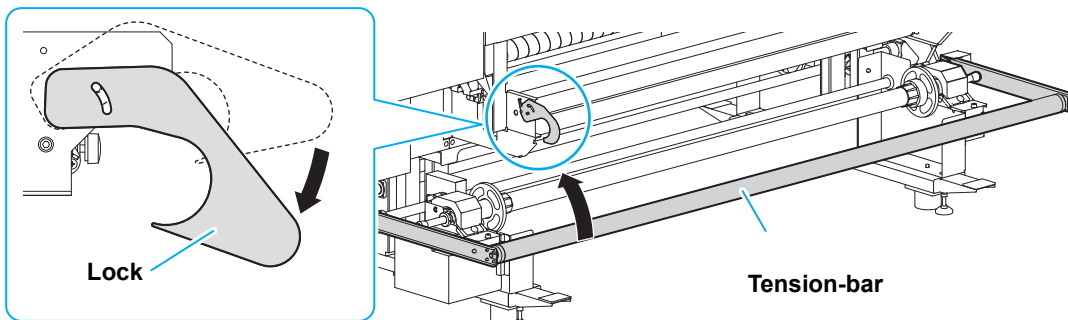
- Handle the roll shaft with care, since it is very heavy with media. To avoid an accident or injury, be sure to grip the handles on both ends.



1

Fix the tension-bars on the front and the back of this machine at the lock position.

- The locks are on the right front and the left back of this machine.
- Lift the tension-bars and fix them with the locks.

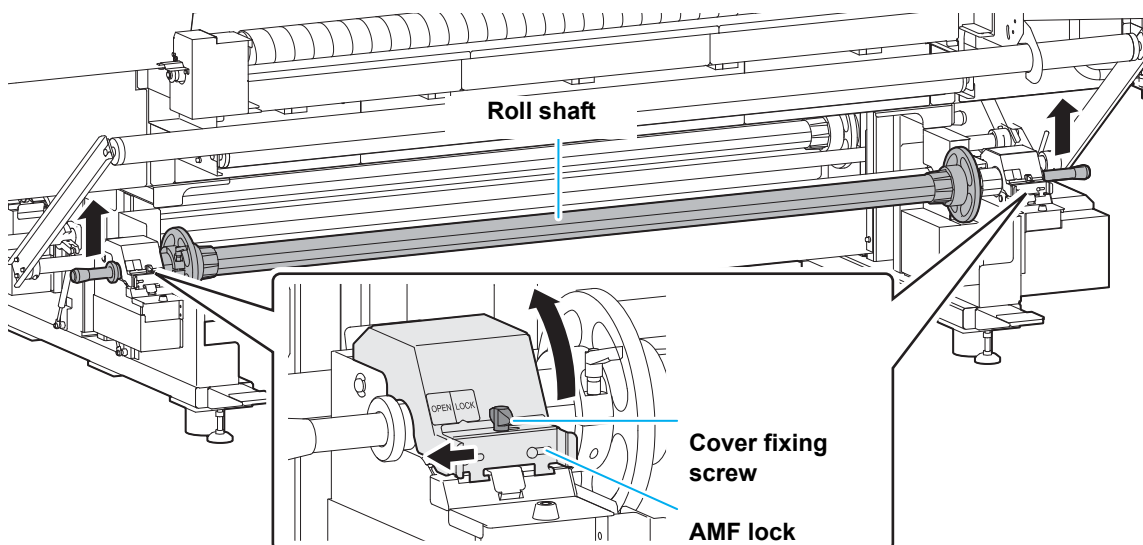


- Grip the outside of the lock of the tension-bar. If gripping the other parts, your hand may get stuck in.

2

Remove the roll shaft on the take-up device at the front of this machine.

- (1) Loosen the cover fixing screw attached to the cover of right/ left of take-up device and unlock the AMF lock by sliding it.
- (4) Open the covers.
- (5) Remove the roll shaft.



2

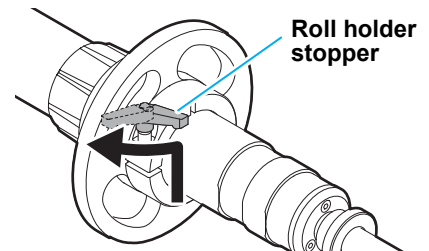
Basic Operations

3

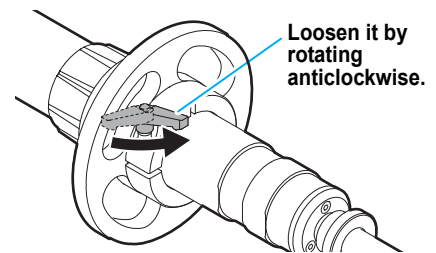
Remove the roll holders.

• The roll holders are on both for the right and left of the roll holder. Remove both with the procedures below:

(1) While lifting the lever of the roll holder stopper, rotate it to the position indicated in the figure.

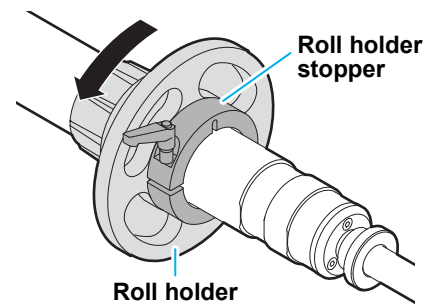


(2) Get off of the lever once, and rotate it to the direction indicated in the figure to loosen it.



(3) Repeat the Step (1) and (2) to release the lock of the roll holder.

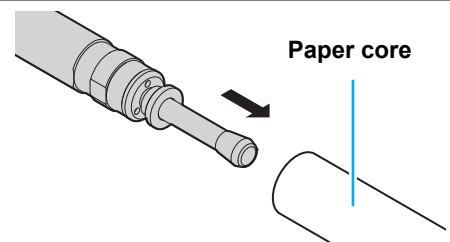
(4) After rotating the handle of the roll holder counterclockwise, take out the roll holder.



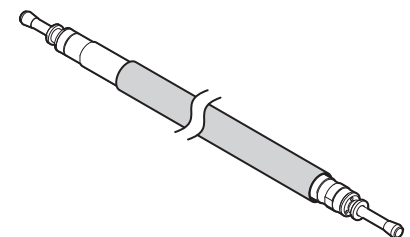
4

Attach the paper core.

(1) Put the roll shaft through a paper core.

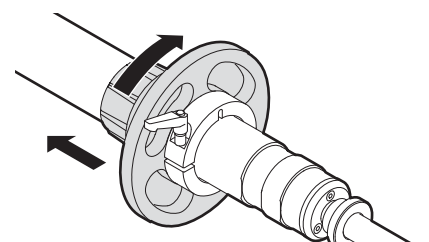


(2) Adjust the paper core so that it comes to the right side of the roll shaft.



(3) Push right and left roll holders into the paper core, and rotate the handle of the roll holder clockwise.

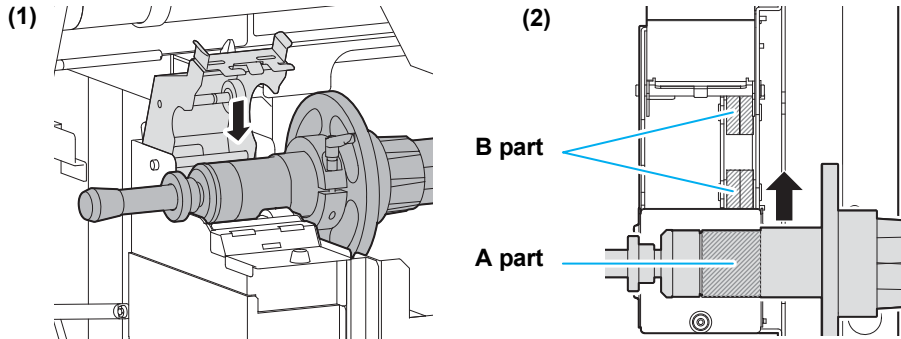
- Firmly insert it so that the paper core does not run idle.



5

Set the roll shaft with the paper core on the take-up device, and close the covers on the right and left sides of the roll shaft.

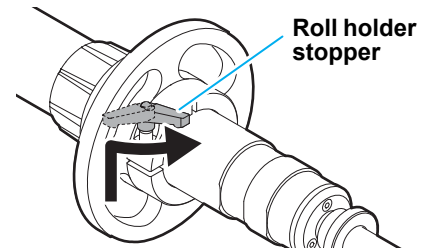
- Fitting the A part of the roll shaft to the B part bearing of the machine, put it on.
- After closing the cover, slide the AMF lock to the locking position and tighten the cover fixing screw.

**6**

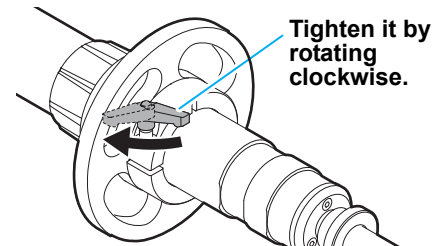
Fix the roll holder.

- The roll holders are at both of right and left. Fix both with the procedures below.

(1) While lifting the lever of the roll holder stopper, rotate it to the position indicated in the figure.



(2) Get off of the lever once, and rotate it to the direction indicated in the figure to tighten it.



(3) Repeat the Step (1) and (2) to lock the roll holder.

2

Basic Operations

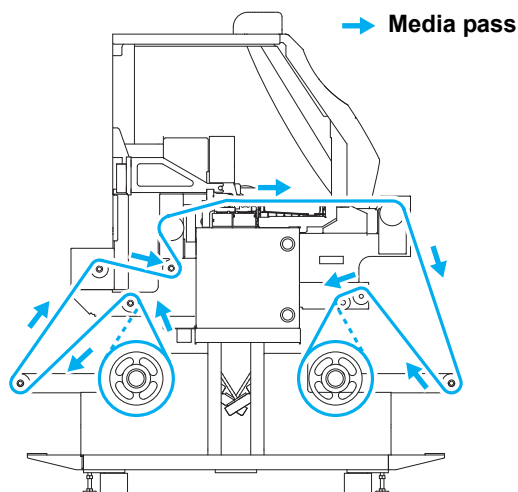
Setting a Roll Media

The route for setting the fabric media is as shown in the following diagram.

Prior to setting the media, if you understand the routing of the media, you can perform the setting of the media smoothly.

Important!

- Before setting fabric media, check that around the grit roller is not stained. If it is stained, clean it by referring to P.4-6.



1

Set both of “FEED” and “ROLL” in “Setting the feeding and take up” of the machine setting to “ON”. (☞ P.3-17)

Important!

- When the media is set on the narrow roll holder, remove the media. In addition, move the narrow roll holder to the both edges of the machine. It may cause media feeding defect.

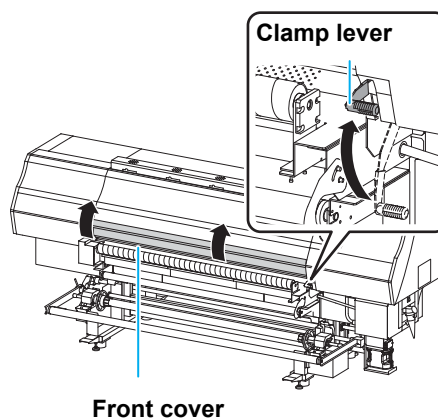
2

Fix the roll media to the feeding device.

- Fix it referring to P.2-11 “Prepare for the take-up device first”.
- Fix the roll media to the center as the standard.

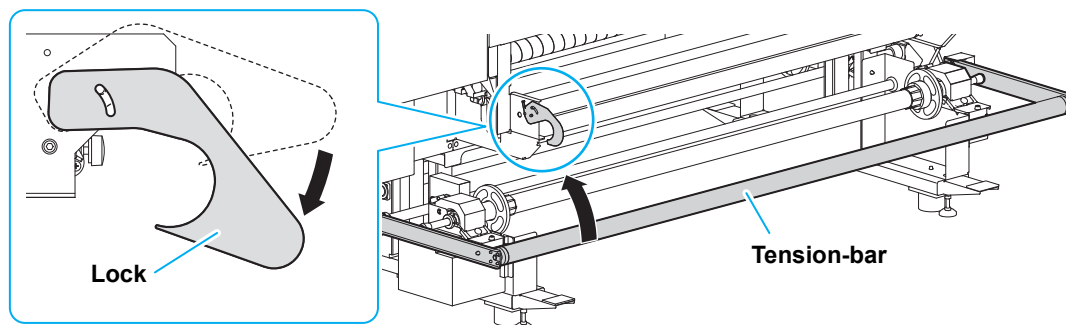
3

Open the front cover and raise the clamp lever at the front of this machine.



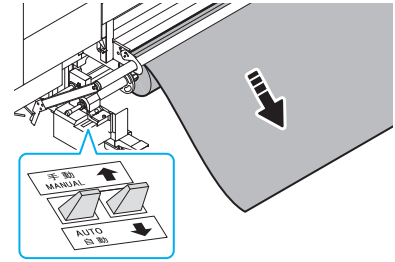
4

Lifting the tension bars located in the front and rear surface of this equipment and fix it at the locking position.



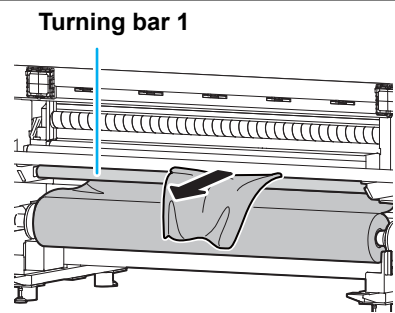
5 Using the switch of the feeding device, feed out the fabric around 3m.

- (1) Set the ↑↓ switches to the feeding direction of the media.
- (2) Turn to "MANUAL" and feed out the fabric around 3m.

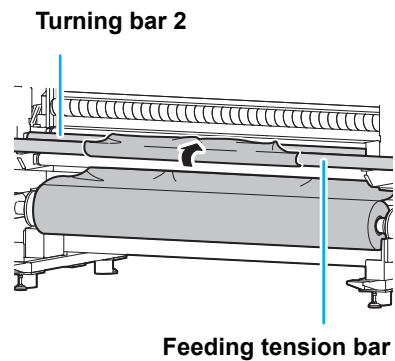


- With the lapse of 3 seconds, the rotation will automatically be turned off.
- If you wish to stop the rotation prior to the lapse of 3 seconds, turn the switch to "AUTO".
- In case where the tension bar of the feeder unit is not locked, the rotation does not stop automatically even with the lapse of 3 seconds. If you desire to stop the rotation, turn over the switch to "AUTO".
- When the rotation stops automatically, and you wish to feed out the media further, turn the switch from AUTO to MANUAL.

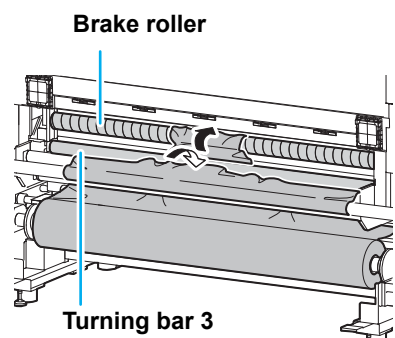
6 Pass the fabric through into the rear side of the turning bar 1.



7 From outside of the feeding tension bar, pass the fabric through onto the turning bar 2.

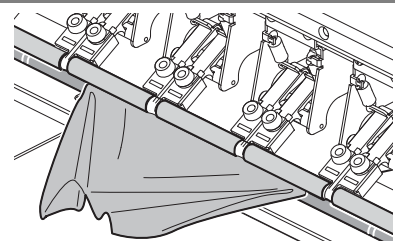


8 Pass the fabric through under the turning bar 3, and cover the brake roller with the fabric.



9 Insert the top edge of the fabric between the grit roller and the pinch roller, and feed the media to the front of the machine.

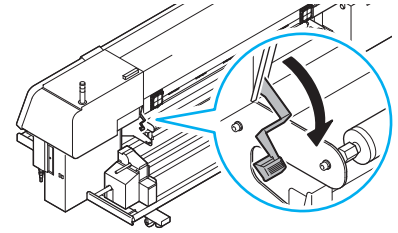
- At this time, remove waviness on the surface of the fabric etc.



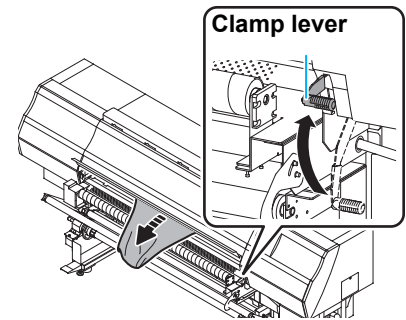
10

Pull down the clamp lever of the rear side of the equipment.

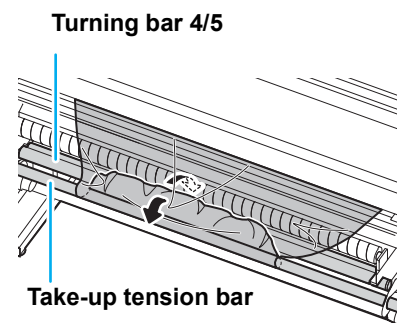
- The fabric is maintained.

**11**

Go to the front of the machine, raise the clamp lever while holding the top edge of the fabric with your hand, and pull out the fabric.

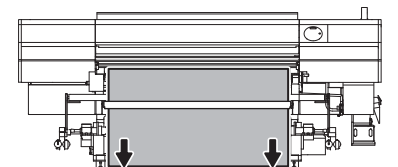
**12**

Pass the fabric through onto the turning bar 4/ 5 from the front side of the take-up tension bar.

**13**

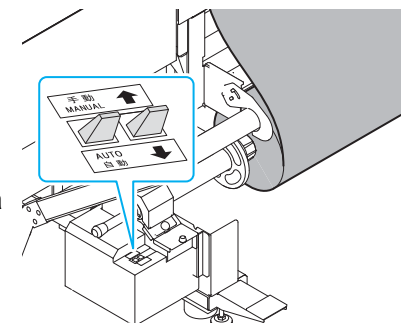
Pull out the fabric until the top edge of the fabric nearly touch the floor and remove the wrinkles, etc.

- Make both of the front surface and the rear surface of the machine without waviness etc.

**14**

By operating the switch of the feeding device at the rear surface of the machine, take up the top edge of the fabric at the take-up side to the position where it can be pasted on the set paper core.

- (1) Set the $\uparrow\downarrow$ switch to the reverse direction of the media feeding.
- (2) Turn to "MANUAL" and take up the fabric.

**15**

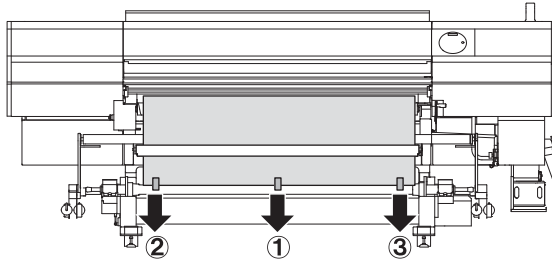
Push down the clamp lever.

- The fabric is retained.

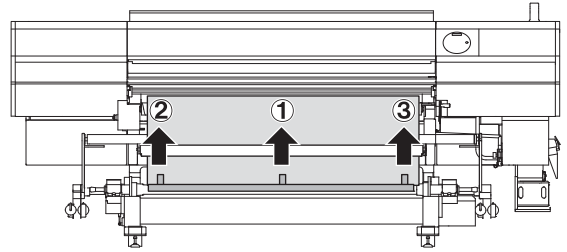
16 Fix the top edge of the fabric to the empty core fixed to the take-up unit with adhesive tape, etc.

- Fix so that the fabric is evenly stretched at both ends and in the center. If you follow the below-mentioned procedures, you will be able to stretch the fabric almost evenly.

When setting media outwardly



When setting media inwardly

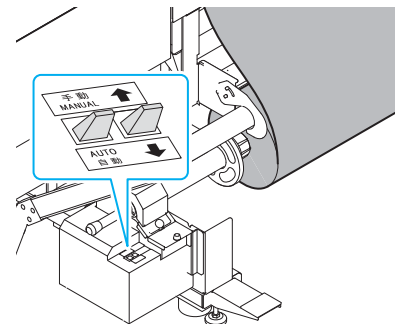


- (1) First, fix the center.
 - When fixing the center of the fabric first, tape down it while rotating the paper core to the reverse direction from the take-up direction. By doing this, allowance of the fabric at taping down first is lost and you can fix the fabric so that its tension becomes even in the Step (2).
- (3) Pulling the left and the right sides of the fabric toward the outside respectively, fix them.
 - When setting wider media, fix five positions and more of the media with tape etc. The more fixing positions are, the more tension of the media becomes even.
 - When the position of the fabric set and the position of the core is out of alignment, loosen the screw of the roll holder and make adjustment so that the core comes to the appropriate position.
 - From the roll of the feeding side, see and check the position of both ends of the fabric are aligned with the both ends of the roll on the feeding side.

17 Raise the clamp lever.

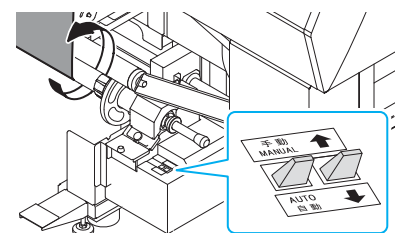
18 By operating the switch of the feeding device at the rear surface of the machine, loosen the fabric.

- (1) Set the $\uparrow\downarrow$ switches to the feeding direction of the media.
- (2) Turn to "MANUAL" and feed out the fabric.



19 Using the switch of the take-up unit on the front surface of the equipment, wind the fabric more than one round.

- (1) Set the $\uparrow\downarrow$ switches to the feeding direction of the media.
- (2) Turn the switch to [MANUAL] and take up the fabric more than one round.



20 Remove the lock of the take-up tension bar and make adjustment so that the tension bar is held nearly horizontal to the floor.

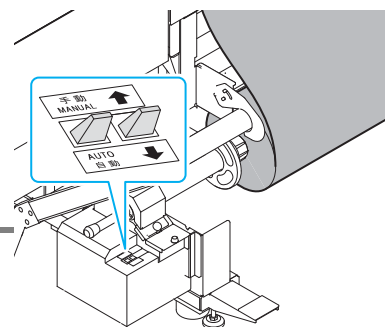
- Press  and feed the media until the tension bar is even.

21 Push down the clamp lever.

- The fabric is retained.

22 By operating the switch of the feeding device at the rear surface of the machine, loosen the fabric.

- (1) Set the $\uparrow\downarrow$ switches to the feeding direction of the media.
- (2) Turn to "MANUAL" and feed out the fabric.



23 Remove the lock of the feeding tension bar and make adjustment so that the tension bar is held nearly horizontal to the floor.

- (1) Set the $\uparrow\downarrow$ switches to the take-up direction of the media.
- (2) Turn the left switch to [MANUAL].
 - The tension-bar is lifted, reeling the media. At this time, when the tension bar does not move upward even if the media is fed, change the $\uparrow\downarrow$ switch.
- (3) When the tension-bar arm becomes parallel to the floor, turn the left switch to [AUTO] to stop the tension-bar.
- (4) Turn the $\uparrow\downarrow$ switch to the feeding direction of the media.

24 Check the switches of the feeding unit and take-up unit.

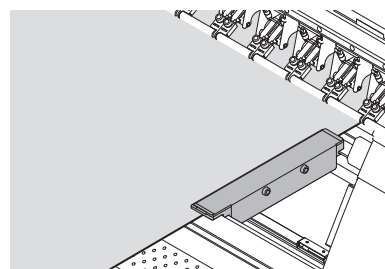
- Confirm that the $\uparrow\downarrow$ switches is in line with the direction of taking-up and feeding.
- Confirm that both the take-up unit and the feeding unit are set to [AUTO].

25 Lightly nip the fabric with the fabric retainer.

Important! Be sure to use the fabric retainer. Using it is effective in the following respects.

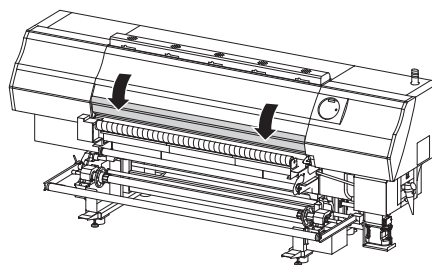
- Avoids lifting an edge of the fabric used by curl, warpage, or pilling.
- Avoids passing ink mist through to the back while printing.

Even when you wish to print on the full width of the media, use the fabric retainer by setting it next to the media.





26 Close the front cover.

- The media selection screen is displayed.







27 Press   to select "ROLL".

MEDIA SET
ROLL < > LEAF


28 Check the media path ( P.2-14) and press the  key.

Media Psth
Check :ent

- When you set the MEDIA WIDTH to "MANUAL" in the "Media detection" of the machine setting, the media width input screen is displayed. ( P.3-25)

29 Press   to input the media remaining, and press the  key.

MEDIA SET
Capacity = 2m

- When you set "Media remaining amount display" of the machine setting to "OFF", this screen is not displayed. ( P.3-13)

30 Automatic detection of the media width starts.

- After the detection, the screen displays the printing area and then returns to LOCAL.

Detecting Media
Please Wait



- If the media gets near to the right side too much, the warning on the right is displayed after media detection. Set the media again.


ERROR 516
MEDIA SET POSITION R

When you perform over printing

When you perform over printing, set the fabric media after performing the work below:

- Set the media width of "MEDIA DETECT" in the machine setting to "MANUAL".(P.3-25)
- Set the ink receiving spacer and the fabric edge spacer. (P.2-8)



- When you performed over printing, at detecting the media after setting it, the media width input screen is displayed. At this time, input the set media width, and press the  key.

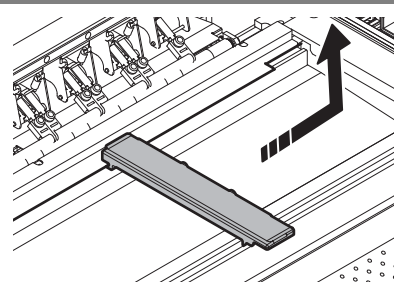
How to adjust fabric retainer

Adjust the height of the stainless steel plate in line with the thickness of the fabric.

1

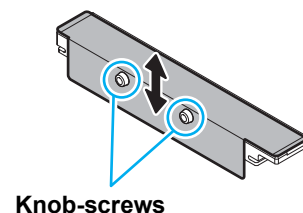
Remove the fabric retainer.

- Slide the fabric retainer to the edge of the platen and remove it.



2

Loosen the knob-screws, and adjust the height of the stainless steel plate in line with the thickness of the fabric.



Important!

- When a heavy fabric is pressed and held, set the height of the head in accordance with the thickness of the fabric. If the height of the head is kept low, it may cause the break of the head.

Detect the media width with clamping the fabric

You can detect the fabric media width with the clamp lever ON.

1

Press the **MEDIA** key in LOCAL.

HEAD GAP [ENT]

2

Press **▲** **▼** to select [MEDIA REET].

HEAD GAP
= 2.0mm

3

Press the **ENTER** key.

- The media selection screen is displayed.

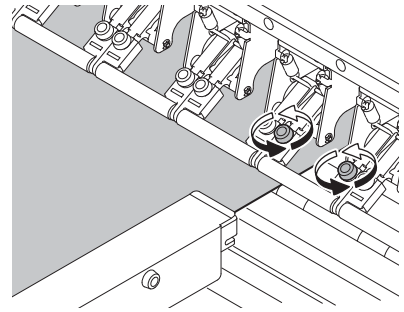
Removing the pinch roller, prevent the appearance of wrinkles

When both ends of the fabric used are more extended compared with its center part, or when the edge of the fabric is made thicker because of gumming treatment for preventing the unraveling, the wrinkles tend to appear more easily.

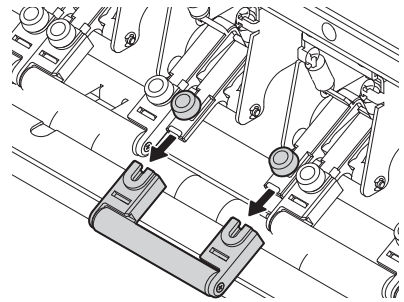
In such cases, use the equipment removing the pinch rollers on both ends.

1 Raise the clamp lever.

2 Loosen the left and right knob-screws of the pinch rollers you want to remove.

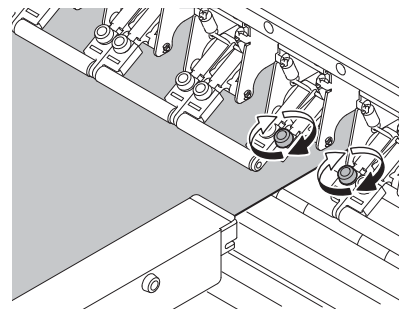


3 Pull out the pinch rollers.



4 Lightly tighten the knob-screws.

- Lightly tighten the knob-screws for preventing the dropping or missing of the knob-screws.



5 Push down the clamp lever.

Important!

- When the pinch rollers of the left and right ends of this equipment are removed, if the length of the fabric appearing in the removed position is extremely different between the left and the right, re-set the media once again. (☞ P.2-14)

Installing the counter weight for adjusting the take-up/ feeding tension-bar weight

There are various types of media of different size of string and different texture. Further, even with the same media, their stretching characteristics may vary due to differences in their pre-treatment process. For printing such a variety of media applying appropriate tension for the media, there is a need for adjusting the weight of the tension bar.

Depending on the attaching position of the counter weight, you can adjust the tension bar weight. (If you attach it on the A part in the next pages figure, it may be heavier, and on the B part, it may be lighter.)

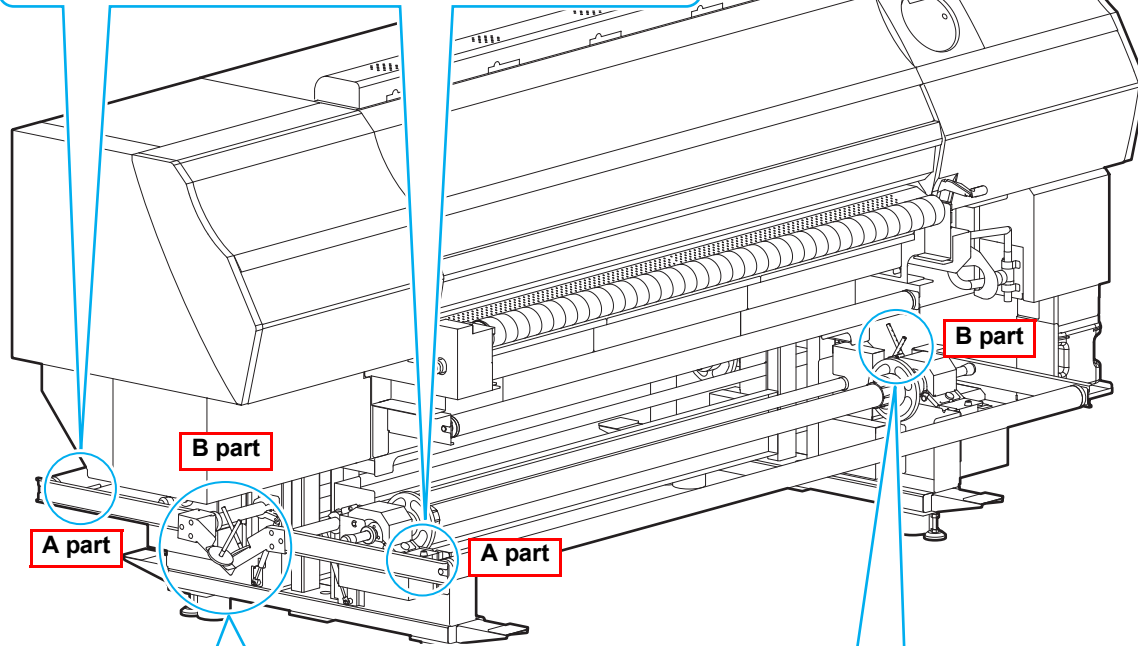
You can attach the counter weight up to 15 each for right and left.

Important!

- Attach the counter weight after adjusting the media feeding correction amount in P.2-34 "Set the media feeding".

Phenomenon			Countermeasure
Media front surface at setting	At printing	Print result	
The print surface tightens.	Stable printing can be performed.	Surface waviness or ruck on the media is hardly found.	The tension is suited for the media. It is not required to adjust the counter weight.
Surface waviness has occurs on the media and the printing surface comes down.	The media flops at printing.	As the print surface comes down, printing cannot be performed with the proper head height. Therefore, the printing quality deteriorates.	Add the counter weight on the A part of the figure below to increase the tension bar weight. In addition, perform feeding correction and set media feeding properly.
As the media is pulled too much, ruck partially occurs between the pinch rollers etc.	The tension bar bends and ruck occurs on the media or the media skews.	Ruck occurs on the media may hit the head, and it may cause the media jam or the damage of the head.	Reduce the number of counter weights set on the A part of the next pages figure, or add the counter weight on the B part. In addition, perform feeding correction and set media feeding properly.

Attach the weight on the top edge of the tension bar when you want to make the take-up tension bar and the feeding tension bar heavier.



Attach the weight on the rear side of the machine when you want to make the take-up tension bar lighter. In addition, when you want to make the feeding tension bar lighter, attach the weight on the rear side of the machine.

After attaching the counter weight, clip it to prevent falling. Insert the clip into the hole on the stick to attach the counter weight.

The diagram shows a circular counter weight with a hole in the center and a clip attached to its edge. Below it, a small rectangular stick with a hole is shown, along with a small metal clip.



- The counter weight is very heavy. Handle it with care. If your finger or foot is stuck in the weight, you may be injured.



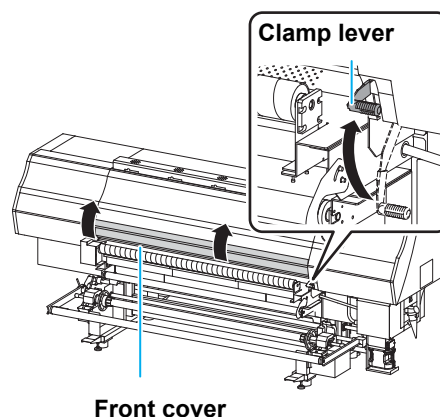
- Not to lose the unused counter weight, put it in the storage box.

Setting leaf media

Unlike roll media, leaf media does not need to be retained with the roll holders.

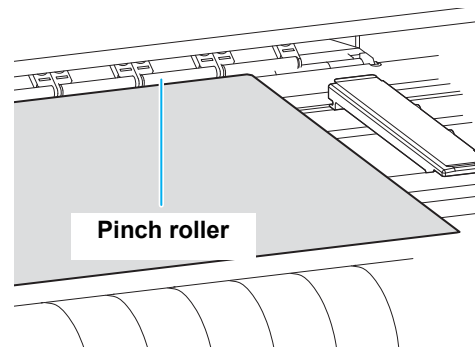
1 Open the front cover.

2 Raise the clamp lever.



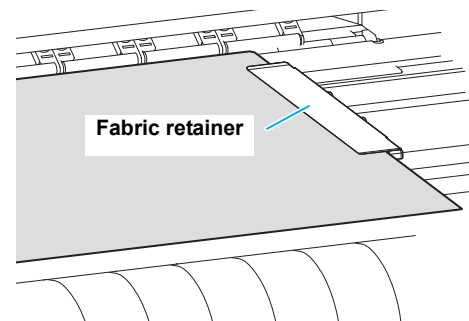
3 Insert the leaf media between the platen and the pinch rollers.

- Set the media so that no media sticks out from the right end pinch roller to the right side.
- Set the media so that the media end does not reach the slot of the post-heater.



4 Hold the media with the fabric retainer gently.

- Set the media so that no media sticks out from the right end pinch roller to the right side.
- When using a thick media, remove the fabric retainer from the media before printing.

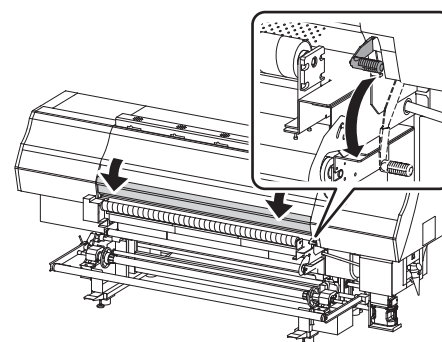


- If the media gets near to the right side too much, the warning on the right is displayed after media detection. Set the media again.

ERROR 516
MEDIA SET POSITION R

5 Push down the clamp lever.

- Set the media straight.



6 Close the front cover.

7

Press the **ENTER** key.

8

Press the **▶** key to select "LEAF" .

MEDIA SELECT
ROLL< >LEAF

9

The media detection is started.

** MEDIA DETECT **

- (1) The media width is detected.
- (2) It returns to the LOCAL when the detection is completed.

Important!

- For the leaf media, use only a withy one.
When using the leaf media, the take-up device is invalid. If the set media is not withy, the printing face will not become flat and the media will jam.

Setting the Head Gap

Set the head gap (height from the fabric media to the nozzle plane of the heads).

When the carriage is to move above the platen for printing or maintenance, it moves while keeping the head gap at the preset value.

The upper limit of the head gap varies with media thickness.

Available setting values: [1.5 mm to 7.0 mm] (in units of 0.1 mm / Default : 2.0 mm)



- Unless the head is properly set at the height against the thickness of the fabric you use, deterioration of the printing quality or the breakage of the head could be caused. Perform the head height adjustment each time when you change the fabric.
- After adjusting the head height, make sure to perform the correction of the dot position. (☞ P.2-38)

1

Press the **MEDIA** key in LOCAL.

HEAD GAP [ENT]

2

Press the **ENTER** key.

HEAD GAP
= 2.0mm

3

Press **▲** **▼** to set a value of the head gap.

• Set value : 1.5 to 7.0mm

HEAD GAP
= 2.0mm

4

Press the **ENTER** key.

SETUP
HEAD GAP [ENT]

5

Press the **END** key several times to end the setting.



- If you wish to avoid the fluff on the surface of the fabric or the warp of the edge part of the fabric, or concave-convex part of the fabric while printing, you may use the equipment extending distance between the head and the printing surface of the fabric.
- If preventing treatment for fray on right and left edges and tenter are thick against the fabric thickness, adjust the head height depending on the thickness of the right and left edges of the fabric.
- When the distance between the head and printing surface of the fabric is extended, the printing quality will become inferior.



- It is recommended to use the equipment keeping the head height 3mm or more. When using the equipment with the head height of 3mm or less, the blurring of the printed images, changes in color while printing or nozzle missing due to ink mist could be caused.
- Please be aware that we shall not be held ourselves responsible for the printing quality caused by the use of this equipment with the head height of 3 mm or above.

How to check the value of the head gap

When you check the head gap value currently set, perform the following procedures:

Press the **ENTER** key in Local.

Press the **ENTER** key several times to display [HEAD GAP].
• The head gap value currently set is displayed.

Setting the head gap without **MEDIA** key

You can set the head gap by using the **FUNCTION** key in the Local without pressing the **MEDIA** key.

Press the **FUNCTION** key in Local.

Press **▲** **▼** to select [SETUP], and press the **ENTER** key.

Press **▲** **▼** to select [HEAD GAP], and press the **ENTER** key.
• The screen in the Step 2 is displayed. Perform the procedures from the Step 3.

Changing the printing origin

The position of the printing origin can be changed.

1 In Local, Press **▲** **▼** **◀** **▶**.
• It enters into the origin setting mode.

```
ORIGIN SETUP
0.0  ----
```

2 Press **▲** **▼** **◀** **▶** to set the origin to a desired position.
• Select the carriage and media, moving the point with **▲** **▼** **◀** **▶**.

```
ORIGIN  SETUP
0.0    0.0
Origin (Length)  Origin (Width)
```

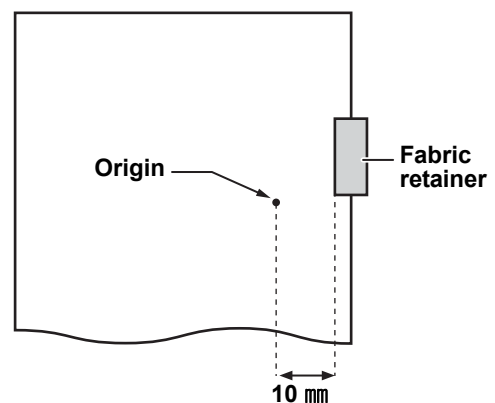
3 After determining the origin, press the **ENTER** key.
• The printing origin is changed.

```
ORIGIN SETUP
** ORIGIN **
```

When Changing the Origin

When the media is automatically detected, the starting point for printing (the origin) is set at the point shown in the diagram in the right.

You may change the Origin according to the printing status.



Preparing for the Heaters

Changing the Temperature Settings for the Heaters

Set the heater temperature.

Depending on the media and the profile to use, set the heater temperature.

- It may take several minutes to tens of minutes for the set temperature to be reached, depending on the ambient temperature.



- You can change the temperature set here also in [HEATER] of the [SETUP] menu. (☞ P.3-3)
- By setting air volume of the drying fan in addition to the setting of the heater, you can dry the media more effectively. After you perform the setting of the heater, also perform the setting of the drying fan. (☞ P.3-3)
- When the fabric media has not been set, or, the width is narrow, it takes long time to reach the set temperature and it may not reach it.

1

Press the **HEATER** key.

LEFT	CENT1	RIGHT
35 °C	40 °C	50 °C

Heater temperature
confirming display

2

Press the **HEATER** key.

Heater temperature set in
this machine

OFF	OFF	OFF
(23 °C	23 °C	23 °C)

Current heater temperature

3

Press **▲▼◀▶** to set the temperature of each heater.

Heater selecting : Select with **◀▶**
Temperature setting : Set with **▲▼**

The settable temperature
: 20 to 60°C

40 °C	40 °C	50 °C
(23 °C	23 °C	23 °C)

- The heater starts to get hot. (The [HEAT] lamp lights in orange.)
- When the heater temperature reaches the set temperature, the [HEAT] lamp goes off and the [CONSTANT] lamp lights in green.

4

Press the **ENTER** key.

- The display is shifted to the external heater setting.

EXTERNAL HERTER
: OFF

5

Press the **ENTER** to select ON/OFF.

- When using the external heater, set this to "ON".

EXTERNAL HERTER
: ON

6

Press the **ENTER** key to end the setting.



- The Heater temperature is controllable at the RIP side if the RIP in use has a function controllable. (For the setting procedures, refer to the instruction manual of the RIP in use.)

Important!

- Use this machine under 20 to 30°C. The temperature may not reach the set value due to the environmental temperature condition.

Checking the Heater Temperature

1

Press the **HEATER** key.

- The current heater temperature is displayed.

LEFT	CENT	RIGHT
35 °C	40 °C	50 °C




2

Press the **END** key at the end of confirmation.

- The screen returns to LOCAL.

Test Feeding

Perform this function before printing, and check whether the media can be fed normally.

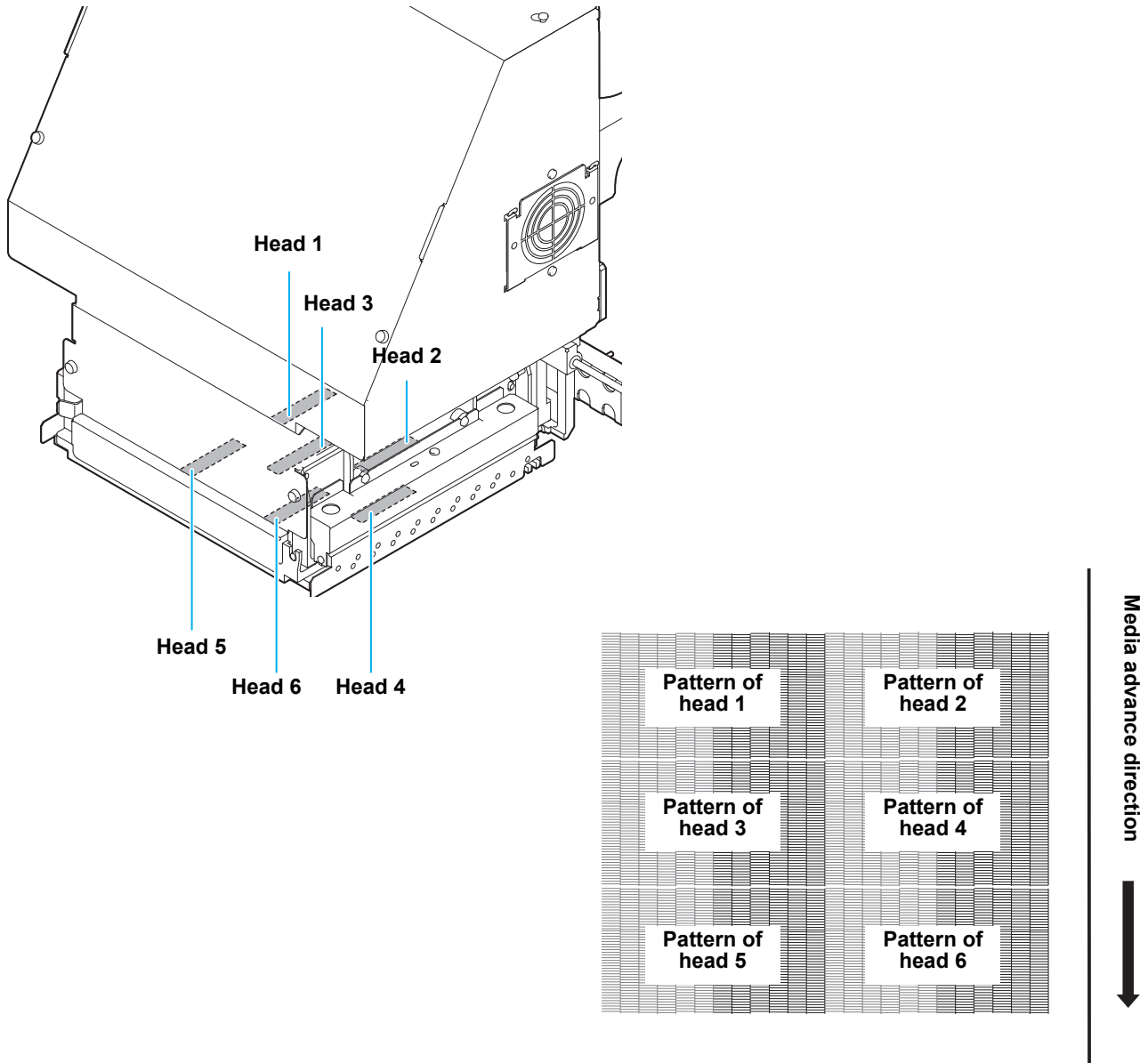
1	Press the TEST PRINT/CLEANING key in LOCAL three times.	TEST FEED [ENT]
2	Press the ENTER key.	BACKWARD FEED : ON
3	Press   to select ON/OFF.  • When setting "ON", rewind the roll media to take up the slack before printing.	BACKWARD FEED : ON
4	Press the ENTER key.	TEST FEED START [ENT]
5	Press the ENTER key. • Start test feeding.	** TEST FEED ** PLEASE : WAIT
6	Press the END key. • The feeding operation is continued until you press the END key. • Feed it to some extent and check the feeding status, and then press the END key to terminate.	

Test Printing

Print a test pattern to check that there are no discharging defects such as nozzle clogging (slight touching of ink or nozzle missing).

Relationship between head row and test pattern

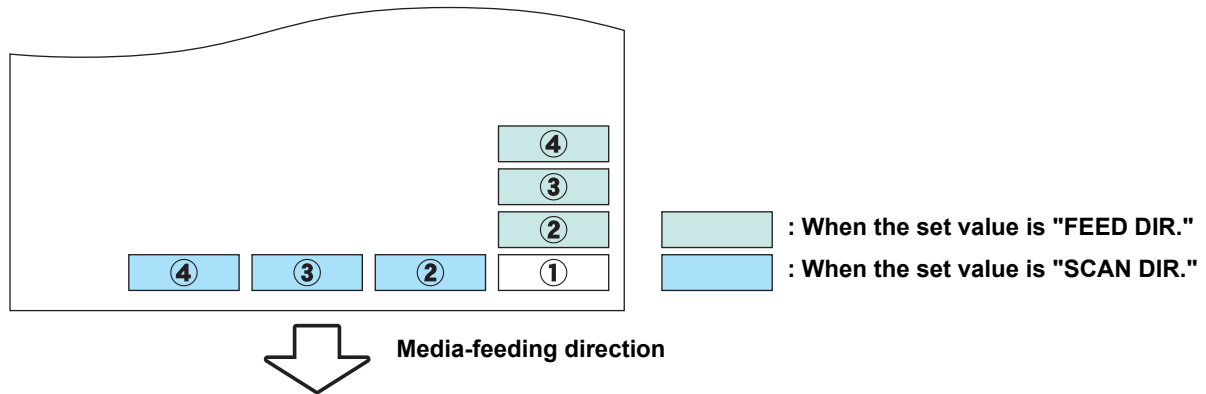
The relations between head row and test pattern print position are as follow.



Test Printing

Print a test pattern to check that there are no discharging defects such as nozzle clogging (slight touching of ink or nozzle missing).

In addition, you can select the orientation of the test pattern to print from two types in order to perform test printing repeatedly. Select one depending on your use.



Check before test printing.	• If a media has been set (☞ P.2-5)	• If the origin position has been set
	• If the head height has been adjusted (☞ P.2-26)	

- 1** Press the **TEST PRINT/CLEANING** key in LOCAL.
 - Press **▲** **▼** to change the test pattern orientation.

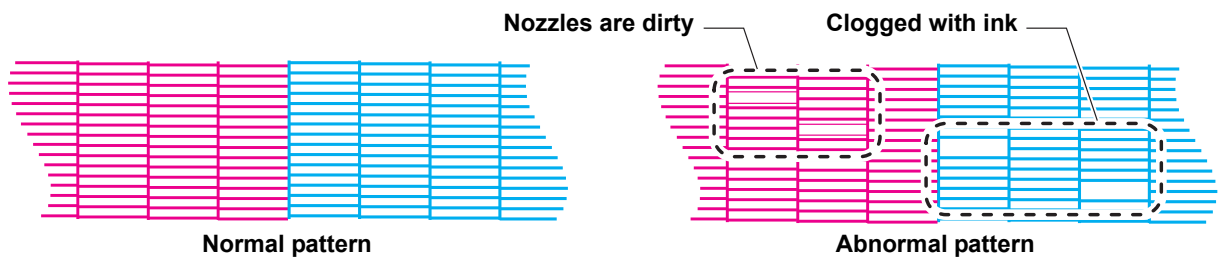
TEST PRINT
 (FEED DIR.) [ENT]

- 2** Press the **ENTER** key.
 - Test printing starts.
 - When the printing has been completed, the screen returns to step1.

** PRINTING **
 PLEASE WAIT

TEST PRINT
 (FEED DIR.) [ENT]

- 3** Check the printed test pattern.
 - When the result is normal, end the operation.
 - When the result is abnormal, perform head cleaning. (☞ P.2-33)



Head Cleaning

About head cleaning

Check the printed test pattern result and perform cleaning depending on the status.
Select one from the three types below:

- SOFT** : When lines are bent, when any line is missing
- NORMAL** : When any line is missing, when colors are mixed
- HARD** : When poor image quality cannot be improved even by NORMAL or SOFT cleaning

Perform head cleaning depending on the test printing result

There are three types of head cleaning. Use one by checking the test pattern.

1 In Local, Press the **TEST PRINT/CLEANING** key twice.

CLEANING
SOFT [ENT]

2 Press **▲ ▼** to select the cleaning type.

- SOFT** : When lines are bent, when any line is missing
- NORMAL** : When any line is missing, when colors are mixed
- HARD** : When poor image quality cannot be improved even by NORMAL or SOFT cleaning


CLEANING
NORMAL [ENT]

3 Press the **ENTER** key.

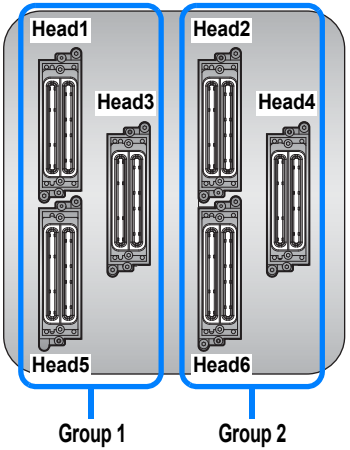
SELECT HEAD
: 12

4 Press **▲ ▼** to select a head to cleaning.

- Set Value : 12 (Cleaning all heads.)
1_ (Head of Group 1)
_2 (Head of Group 2)



Rear side
of machine



5 Press the **ENTER** key.

** CLEANING **
00:00:00

6 Perform test printing again, and check the result.

- Repeat the cleaning and the test printing until the drawing result becomes in normal.



When the image quality is not improved after the head cleaning.

- Clean the wiper and ink cap. (☞ P.4-9)
- By referring to “When Nozzle Clogging Cannot Be Solved”, set the head nozzle washing (☞ P.4-20) and the nozzle recovery (☞ P.4-22).

Set the media feeding

Correct the feeding rate of media.

If the correction value is not appropriate, stripes may appear on the printed image, thus resulting in a poor printing.

Important!

- When you have changed the media type, check the pattern and perform adjustment depending on the status.
- When you have changed the temperature of the heaters, make sure that the [CONSTANT] lamp lights up and that the preset temperature is reached, and then start the correction.
- When printing with a take-up device, set the media first and then perform media correction.

Flow of media feeding correction

Perform media feeding correction as below:

1 Press the **ADJUST** key, and check that the feed correction setting value is “0”.

Referring to “Setting Feed Correction” (☞ P.2-3).

2 Make the torque of the brake roller and tension roller biggest.

Referring to “Setting the torque limiter” (☞ P.2-5).

3 Print the correction pattern.

Referring to “Setting Feed Correction” (☞ P.2-28).

4 Check the pattern and adjust the counter weight of take-up/ feeding tension bar.

Referring to “Installing the counter weight for adjusting the take-up/ feeding tension-bar weight” (☞ P.2-22).

5 If correction by counter weight adjustment is not enough, adjust the torque.

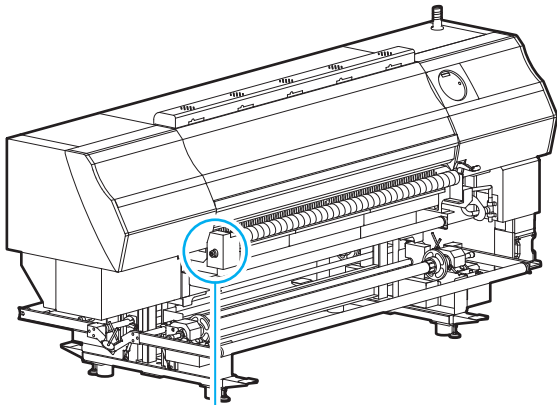
Referring to “Setting the torque limiter” (☞ P.2-30).

6 If correction by counter weight/ torque adjustment is not enough, input the correction value in the feed correction

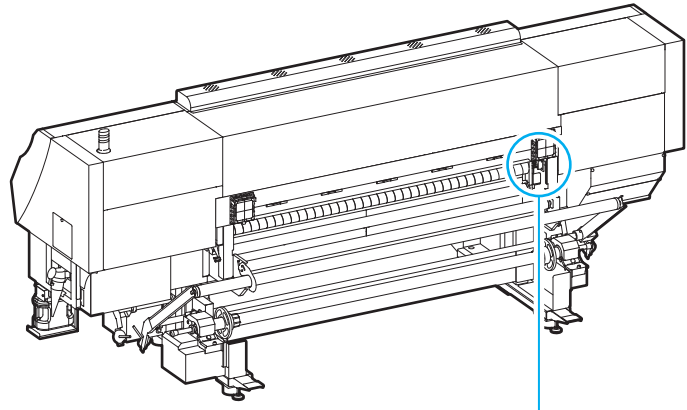
Referring to “Setting Feed Correction” (☞ P.2-31).

Setting the torque limiter

The tension roller and the brake roller have the torque limiter. By adjusting the torque limiter, you can change the rotating strength of the roller. (At the factory, the torque limiter was set to the strongest.)
If you cannot adjust media feeding by counter weight adjustment, adjust torque limiter.

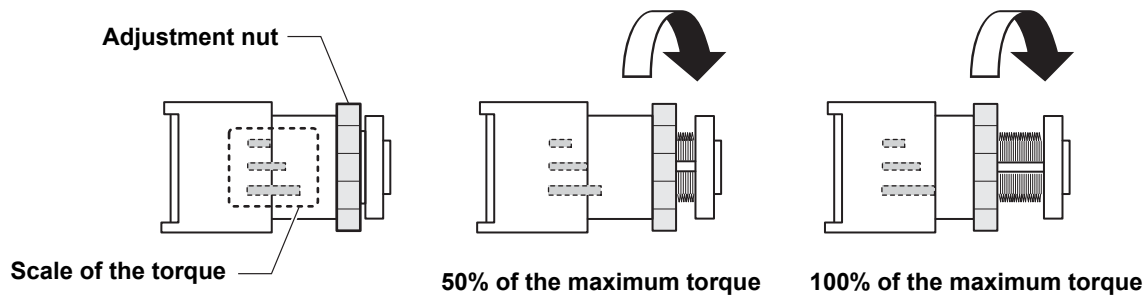


Torque limiter



Torque limiter

- Clockwise turn :
Increases torque (a thicker media)
- Counterclockwise turn :
Decreases torque (For light media)



Important!

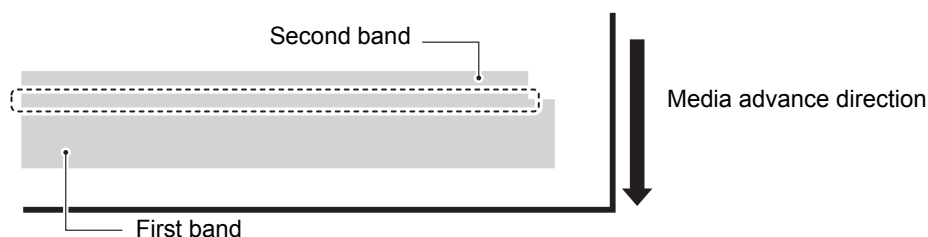
- **When the torque limiter is adjusted too weak ;**
The media can not be taken up firmly.
- **When the torque limiter is adjusted too strong ;**
The slack may occur depending on the media and cause influence on the image quality.

Setting Feed Correction

A pattern for media correction is printed and a media-feeding rate is corrected.



- Two bands are printed in the correction pattern.
- Make adjustment so that an even color density is obtained in the boundary between the two bands.



1

Set a media. (👉 P.2-5)

2

Press the **ADJUST** key in LOCAL.

FEED COMP. [ENT]

3

Press the **ENTER** key.

- If you input the correction value only, first press the **ENTER** key, and then press the **REMOTE** key. The correction value input screen is displayed. Operate the procedures in the Step 5, input the correction value.

FEED COMP. PRINT [ENT]

4

Press the **ENTER** key to print a correction pattern.

** PRINTING **
PLEASE WAIT

5

Check the correction pattern and enter a correction value.

FEED COMP. = 0

Enter a correction value in "+": The boundary between the two bands is widened.

Enter a correction value in "-": The boundary between the two bands is narrowed.



- When you change the correction value by "20", the band moves about 0.01mm. By referring to this correction amount, determine the correction value.

6

Press the **ENTER** key.

- Print a correction pattern again and check it.
- When media correction is needed, perform the operation in Step 5 to make correction.

```
FEED COMP .
PRINT           [ ENT ]
```

7

Press the **END** key several times to end the setting.

Performing the station maintenance without **ADJUST** key

You can select "FEED COMP." by using the **FUNCTION** key in the Local without pressing the **ADJUST** key.

Press the **FUNCTION** key in Local.

Press **▲** **▼** to select [SETUP].

Press the **ENTER** key twice.

- The screen in the Step 3 is displayed. Perform the procedures from the Step 4.

Correcting Media-feeding during Printing

A media-feeding rate can be corrected even in the remote mode or when image data is printed.

1

Press the **FUNCTION** key in the Remote.

```
*REMOTE*
                * . * mm
```

```
FEED COMP .
  0 ▶ 0
```

Current [FEED COMP.] value

2

Press **▲** **▼** to enter a corrected feeding rate.

- Corrected feeding rate: -255 to 255
- The value entered here is reflected in the corrected feeding rate soon.

3

Press the **ENTER** key.

- The changed value is registered.
- When you press the **ENTER** key instead of the **END** key, the value entered here will be invalid.

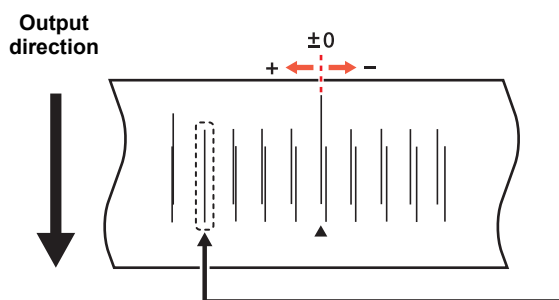
```
*REMOTE*
                * . * mm
```

Correct the ink drop position for bidirectional printing

When the condition for printing (media thickness/head height/etc.) has been changed, perform the following operation to correct the ink drop position for bidirectional (Bi) printing and obtain the proper printing result.

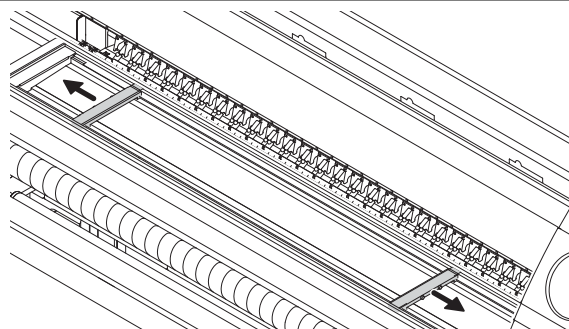
- Important!** • Be sure to attach the adjusting plate before performing DOT POS. CORR. If you perform DROP.POScorrect, without the adjusting spacer, you cannot perform proper adjustment.

Example of a Drop Position correct Printed Pattern

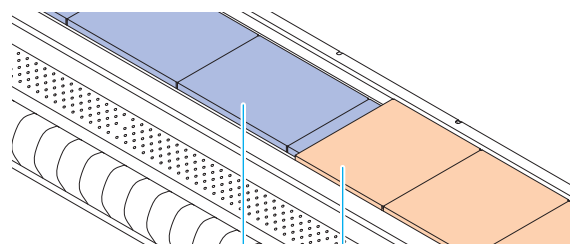


The dots at the fourth position counted from the zero position in the positive direction form a straight line. In this case, the dot position correction value is 4.0.

- 1** Move the fabric retainer to the left and the right.



- 2** Attach the ink receiving spacer and the adjusting spacer.



Ink receiving spacer Adjusting spacer

- 3** Set a media on the machine and set a printing origin. (👉 P.2-5)

- 4** Press the **ADJUST** key in LOCAL twice.

DROP.POScorrect
[ENT]

- 5** Press the **ENTER** key.

DROP.POScorrect
PRINT [ENT]

6

Press the **ENTER** key to start pattern printing.

- Multiple test patterns are printed. (The printed patterns are called Pattern 1, Pattern 2, Pattern 3... in the order of printing.)

** PRINTING **
PLEASE WAIT

7

Press **▲** **▼** to correct the dot position of Pattern 1~.

- **Corrected feeding rate:** -40.0 to 40.0
- Check the test patterns. The position where an outward feeding line and a return feeding line become one straight line is the correction value.
- When the correction value is not between -40.0 and 40.0, adjust the head gap and then perform the operations in Step 2 and later.

PATTERN1
= 0.0

8

By pressing the **ENTER** key, register the correction value.

- The screen to correct the next pattern is displayed. Repeat the procedures from the Step 5 to correct all patterns.
- After correcting all patterns, perform the procedures in the Step 7.

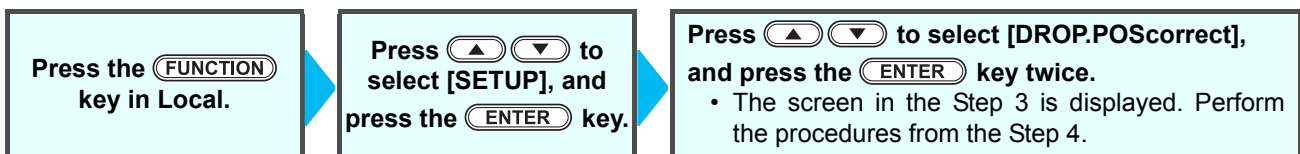
PATTERN2
= 0.0

9

Press the **END** key several times to end the setting.

Performing to correct the dot position without **ADJUST** key

You can select "DROP.POScorrect" by using the **FUNCTION** key in the Local without pressing the **ADJUST** key.



Printing Data

Starting a Printing Operation

Important!

- When using a roll media, rewind the media by hand before printing so that it is not loose. When the roll media has not been rewound tightly, it may cause the image quality to deteriorate.
- Do not use the machine in a place with high temperature (more than 30 °C (86°F)). If you use it in such a place, nozzle clogging may occur, and it cannot be recovered even if you perform head cleaning etc.
- Do not use the machine in a place with low temperature/ low humidity (less than 20°C (68°F)/35 % (Rh)). Static may be generated, and it may affect the printing quality.

1

Setting a Media (👉 P.2-5)

2

Checking the Heater Temperature

- Check the CONSTANT lamp lights in [LEFT], [CENT], and [RIGHT] below the display.



3

Press the **REMOTE** key in LOCAL.

- If the heater temperature has not reached the setting value, the right screen is displayed. Even if it has not reached, you can move to REMOTE when pressing the **ENTER** key.
- The screen changes to REMOTE, and data can be received from the PC.

TEMPERATURE CONTROL !
PLEASE WAIT

4

Transmit data to be printed from the PC.

- The printing conditions are displayed.
- For the method of data transmission, see the instruction manual for the output software.

5

Start printing.

Resolution : 600 /900 DPI

With/ without nozzle recovery setting
(Operates with nozzle recovery enabled
when "R" is displayed)

With/ without MAPS setting

Heads used for
printing

600x900 R/MP ALL
6 . Bd . Nd . x2 . xx . xxm

The length of
media drawn

Scanning speed
x1 : Standard
speed
x2 : Double
speed

Data type
VD : Variable data
ND : Normal data

Scan direction
Ud : Unidirectional
Bd : Bidirectional

Number of passes

Stopping a printing operation halfway

Perform the following operation when stopping a printing operation halfway.

1 Press the **REMOTE** key during printing.

- The printing operation stops.
- Interrupt data sending at the PC side during the data is sent from the PC.
- Printing restarts from the interrupted data by repressing the **REMOTE** key.

```
<LOCAL>
DATA REMAIN
```

Deleting Received Data (Data Clear)

When you want to stop printing, delete the already received data.

1 Press the **DATA CLEAR** key in LOCAL.

```
DATA CLEAR
[ENT]
```

2 Press the **ENTER** key.

- The received data is erased then it returns to the local mode.

```
** DATA CLEAR **
```

Behavior after printing has been completed

Drying Feed

When printing has been completed, the feeding operation is performed to dry the printed surface with the drying heater.

- Perform the feeding operation until the back edge of printing passes the drying heater.
- When you press the **END** key, the operation is terminated.
- When the machine has been received next data continuously, it will operate after the last data is received.
- Depending on the position of your drying fan, set the feeding amount. (☞ P.3-26 "Setting a DRYING FEED")

Screen display during drying feeding

```
Drying
Please Wait
```


Chapter 3

Extended Functions



This chapter

describes the operation procedures for using the machine more conveniently and each setting procedure.

List of Functions	3-2	Selecting the head line to use.....	3-23
Setting Heater	3-3	Setting a LANGUAGE.....	3-24
Setting Logical Seek	3-4	Setting a MEDIA DETECT.....	3-25
Setting Drying Time	3-5	Setting a DRYING FEED.....	3-26
Setting Margins	3-6	Setting a View Feed.....	3-27
Perform setting to reduce stripes between passes	3-8	Setting the amount of blank space between printed lines	3-28
Setting Auto Cleaning	3-10	Setting the feed mode of the space of no data to be printed.....	3-29
Setting nozzle face cleaning time	3-11	Set the network.....	3-30
Other Settings	3-12	Setting event mail function.....	3-32
Machine Settings	3-13	Setting the Setting Lock function	3-42
Setting a AUTO Power-off.....	3-16	Initializing the Settings	3-44
Setting the feeding and take up	3-17	Confirming Machine Information	3-45
Setting the Display of Media Residual	3-18	Check the using status of the machine.....	3-45
Setting Time.....	3-20	Check the machine version information.....	3-47
Setting Units.....	3-21	Displaying the Information of this machine	3-48
Setting a KEY BUZZER	3-22		

List of Functions

This section describes the overview of each function to be set and set values that can be registered in user types.



• **About default “HOST” function**

You can operate this by the setting value specified in RIP software.

When you set to other than “HOST”, it operates by that setting value, not by the instruction from RIP software.

Depending on RIP software, there are some functions that cannot be instructed by software. In such a case, it operates by the setting value of “When no instruction from RIP exists”.

- For the specifying method with the RIP software, refer to the operation manual of the RIP software.

Function name		Set value	Default	When no instruction from RIP exists *1	Outline
FEED COMP. (☞ P.2-36)		-9999 ~ 0 ~ 9999	0	————	Used to print a pattern for correcting a media-feeding rate and correct it.
DROP. POS CORRECT (☞ P.2-38)		-40.0 ~ 0 ~ 40.0	0	————	Used to adjust the dot position in go and return printing.
HEATER (☞ P.2-28)	LEFT	OFF / 20 ~ 70°C (OFF / 68 ~ 158°F)	OFF	————	Sets heater conditions.
	CENTER		OFF	————	
	RIGHT		OFF	————	
LOGICAL SEEK (☞ P.3-4)		HOST / ON / OFF	HOST	ON	Sets the scan movable area during printing.
INK LAYERS (☞ P.3-12)		HOST / 1 ~ 9	HOST	1	Sets the number of layers in which ink is to be applied.
DRYING TIME (☞ P.3-4)		HOST / 0.0 ~ 9.9 sec	HOST	0 sec	Sets the drying time of ink per scan.
MARGIN (☞ P.3-6)	LEFT	HOST / -10 ~ 85mm (1mm unit)	HOST	0 mm	Sets a non-printing area along the right and left edges of the media.
	RIGHT	HOST / -10 ~ 85mm (1mm unit)	HOST	0 mm	
REFRESH (☞ P.3-12)		HOST / Lv.0 (Refresh interval long) ~ 3 (Refresh interval short)	HOST	Lv.3	Refreshes the print heads during printing.
DRYING FAN (☞ P.3-12)		HOST / WEAK / STANDARD / STRONG	HOST	STANDARD	Sets the absorbability of the media.
FEED SPEED (☞ P.3-12)		HOST / 10 ~ 200%	HOST	100%	Changes the media feeding speed in printing. *2
MAPS (☞ P.3-8)		OFF/ON	OFF	————	Perform setting to reduce stripes between passes.
PRINT SPEED ADJUST		-50 to +50%	0%	————	
AUTO CLEANING (☞ P.3-10)	OFF, PAGE, LENGTH, TIME		OFF*3	————	Sets the automatic cleaning operation for the head performed before printing or during printing.
	PAGE INTERVAL TYPE	1 to 1000 page	1 page	————	
		NORMAL / SOFT / HARD	SOFT	————	
	LENGTH INTERVAL TYPE	0.1 to 100.0m	0.5m	————	
		NORMAL / SOFT / HARD	SOFT	————	
TIME INTERVAL TYPE	10 to 120 min	10 min	————		
INTERVAL WIPING (☞ P.3-11)		3 to 255 minutes, OFF	OFF	————	Sets the wiping operation during printing.
HEAD GAP (☞ P.2-26)		1.5 to 7.0mm	2.0 mm	————	Sets the head gap.

*1. This is the setting value to be used for printing when setting value is not specified at the RIP software (host) side, or, you give priority to the setting value at the machine side, even if you set “Host” to the type registration of this machine.

*2. When you set this to “100%” or more, required time for completion of printing will be shortened. However, enough drying time cannot be ensured and it may affect the image quality.

*3. The initial value is “Separated (20.0 mm), SOFT” only during Sb300 filling.

Setting Heater

Set the heater temperature (LEFT/CENTER/RIGHT).



- You can change the heater temperature by pressing the **HEATER** key. (☞ P.2-28)

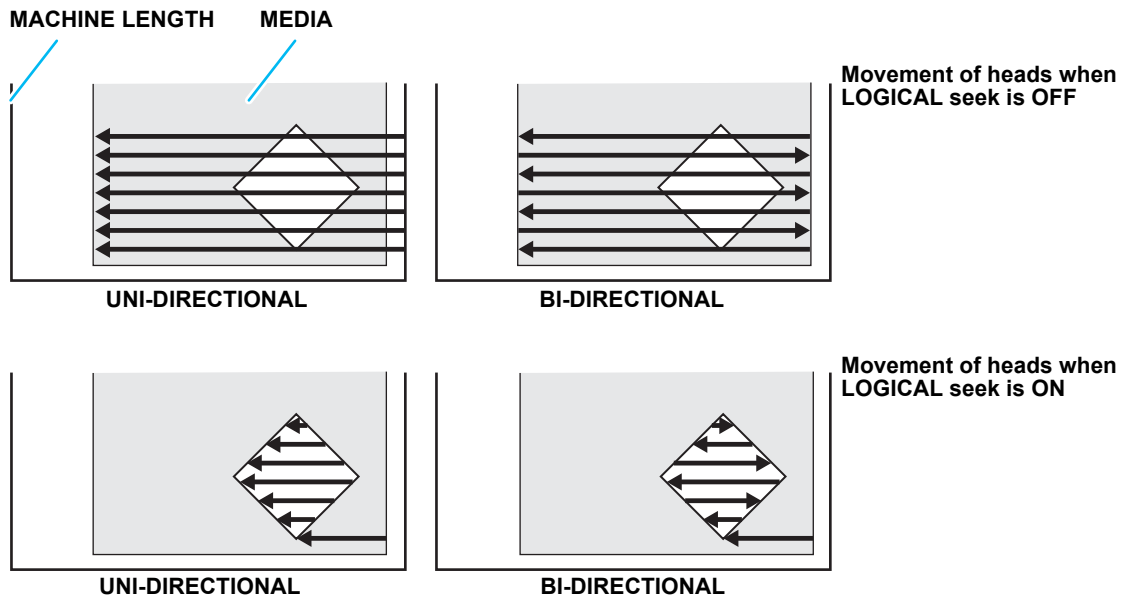
1	Press the FUNCTION key in LOCAL.	FUNCTION SETUP [ENT]
2	Press the ENTER key.	SETUP FEED COMP. [ENT]
3	Press ▲ ▼ to select [HEATER].	SETUP HEATER [ENT]
4	Press the ENTER key. • The LEFT heater temperature setting screen appears.	LEFT = OFF
5	Press ▲ ▼ to set the temperature of LEFT heater (20°C to 70°C).	LEFT = 30 °C
6	Press the ENTER key. • The CENTER heater temperature setting screen appears.	CENT = OFF
7	Press ▲ ▼ to set the temperature of CENTER heater (20°C to 70°C).	CENT = 30 °C
8	Press the ENTER key. • The RIGHT heater temperature setting screen appears.	POST2 RIGHT
9	Press ▲ ▼ to set the temperature of RIGHT heater (20°C to 70°C).	RIGHT = 30 °C
10	Press the ENTER key. • The external heater setting screen appears.	EXTERNAL HERTER =OFF
11	Press ▲ ▼ to select ON/OFF. • When you set this "ON", the external heater is lit during printing.	EXTERNAL HERTER =ON
12	Press the ENTER key.	SETUP HEATER [ENT]
13	Press the END key several times to end the setting.	

Setting Logical Seek

The motion of Head varies depending on the set of Logical-seek.

Important!

- You cannot specify the logical seek at the RasterLink side. When you set this machine to "Host", printing will be performed in "LOGICAL SEEK=ON" status.



1

Press the **FUNCTION** key in LOCAL.

FUNCTION
SETUP [ENT]

2

Press the **ENTER** key.

SETUP
FEED COMP. [ENT]

3

Press **▲ ▼** to select [LOGICAL SEEK].

SETUP
LOGICAL SEEK [ENT]

4

Press the **ENTER** key.

LOGICAL SEEK
: HOST

5

Press **▲ ▼** to select a set value.

• Set value : HOST / ON / OFF

LOGICAL SEEK
: ON

6

Press the **ENTER** key.

SETUP
LOGICAL SEEK [ENT]

7

Press the **END** key several times to end the setting.

Setting Drying Time

In the drying time setting, the ink drying time for each scanning is set. (During bidirectional printing, the machine stops for a certain period of time specified for each of the outward and return scanning.)

Important!

- When you give priority to the setting at the RasterLink side, make the setting value "Host".
- "SCAN" set in this machine is displayed as "Pause Time per Scan" in the RasterLink.

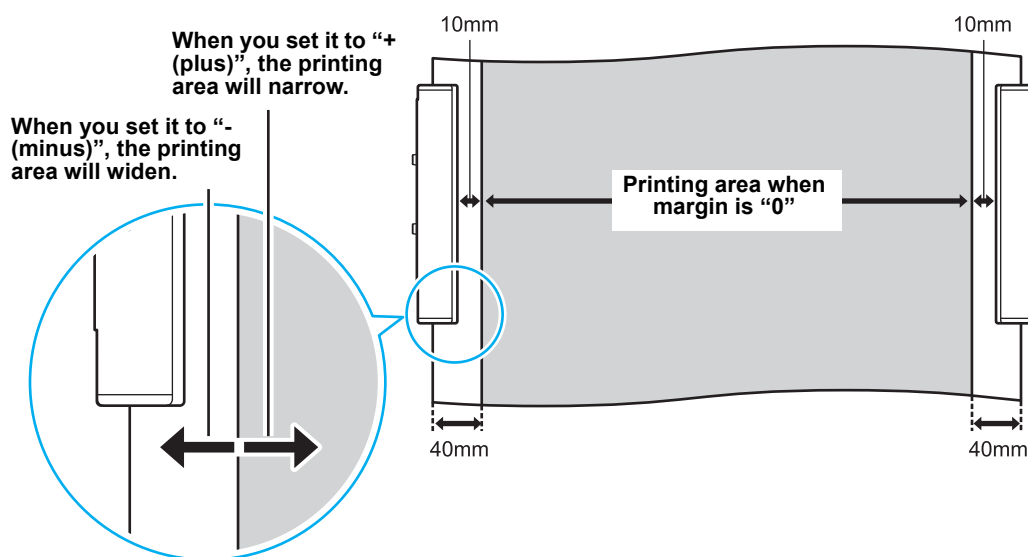
1	Press the FUNCTION key in LOCAL.	FUNCTION SETUP [ENT]
2	Press the ENTER key.	SETUP FEED COMP. [ENT]
3	Press ▲ ▼ to select [DRYING TIME].	SETUP DRYING TIME [ENT]
4	Press the ENTER key.	SCAN = HOST
5	Press ▲ ▼ to set drying time for scanning. • To enable the drying time specified in your RIP, select "Host". • Scanning setting value : Host or 0.0 sec. to 9.9 sec.	SCAN = HOST
6	Press the ENTER key.	SETUP DRYING TIME [ENT]
7	Press the END key several times to end the setting.	

Setting Margins

Set a non-printing area along the right and left edges of the media.
The offset value against the standard margin 15mm is set hereupon.

Important!

- When you give priority to the setting at the RIP software side, make the setting value “Host”.
- You cannot specify the margins at the attached RIP software (RasterLink). When you use the RasterLink, if you set this machine to “Host”, printing will be performed in “Margins for right and left off set value= 0 mm” status.
- Available printing area of this machine is automatically detected depending on the set position of fabric retainer at the right and left of the media. When you change margins, printing area is changed as below:
 - (1) When you set the margin to “0”, detected printing area will be the printing area directly.
 - (2) When you set the margin to “- (minus)”, the printing area will be wider than detected printing area by the set value.
 - (3) When you set the margin to “+ (plus)”, the printing area will be narrower than detected printing area by the set value.



1

Press the **FUNCTION** key in LOCAL.

FUNCTION
SETUP [ENT]

2

Press the **ENTER** key.

SETUP
FEED COMP. [ENT]

3

Press **▲** **▼** to select [MARGIN].

SETUP
MARGIN [ENT]

4

Press the **ENTER** key.

LEFT
= 0mm

5

Press **▲** **▼** to set the left margins.

- This was set to “HOST” (RIP software side setting has priority) before shipping. Change this when you want to set the left margin of media to the setting value of this machine.
Set Value : HOST or -10 to 85mm (in 1mm increment)

LEFT
= HOST

6 Press the **ENTER** key.

R I G H T
= 0mm

7 Press **▲** **▼** to set the right margins.

- This was set to "HOST" (RIP software side setting has priority) before shipping. Change this when you want to set the right margin of media to the setting value of this machine.
Set Value : HOST or -10 to 85mm (in 1mm increment)

R I G H T
= HOST

8 Press the **ENTER** key.

S E T U P
M A R G I N [ENT]

9 Press the **END** key several times to end the setting.

Perform setting to reduce stripes between passes

In case that feeding stripes cannot be resolved even though media correction (P.2-36) is performed, make "MAPS" (Mimaki Advanced Pass System) valid. Feeding stripes become less visible by distributing the pass boundary. (Supported from the firmware ver.1.10)



- MAPS effect differs depending on the set value of the printing speed. Use it after checking effect in advance.
- When you speed up the printing speed, it takes shorter time to print. However, MAPS effect becomes weak.
- When you slow down the printing speed, it takes longer time to print. However, MAPS effect becomes strong and feeding stripes become less visible.
- When printing, if you set the printing speed to 0% and more, MAPS becomes invalid. In addition, it prints at 0% speed. When you use MAPS, set the printing speed to "minus (-)".

For 4-color

Resolution	Pass	Scan speed
300 x 300	1 pass	Normal speed
300 x 300 HQ	2 pass	Normal speed
300 x 450 HQ	3 pass	Normal speed
600 x 600	2 pass	Normal speed
	4 pass	High speed
600 x 900	3 pass	Normal speed
	6 pass	High speed
600 x 1200	4 pass	Normal speed
	8 pass	High speed

For more than 6-color

Resolution	Pass	Scan speed
300 x 300	2 pass	Normal speed
300 x 300 HQ	4 pass	Normal speed
600 x 450	3 pass	Normal speed
	6 pass	High speed
600 x 600	4 pass	Normal speed
	8 pass	High speed
600 x 900	6 pass	Normal speed
	12 pass	High speed
600 x 1200	8 pass	Normal speed
	16 pass	High speed

1

Press the **FUNCTION** key in LOCAL.

FUNCTION
SETUP [ENT]

2

Press the **ENTER** key.

SETUP
FEED COMP. [ENT]

3

Press **▲▼** to select [MAPS].

SETUP
MAPS [ENT]

4

Press the **ENTER** key.

MAPS
: OFF

5

Press **▲▼** to set ON/OFF.

• Set Value : ON/OFF

MAPS
: ON

6

Press the **ENTER** key.

• When you select OFF, proceed to the Step 9.

PRINT SPEED ADJUST
= 0%

7

Press **▲▼** to change print speed.

• Set Value : -50 to +50%

PRINT SPEED ADJUST
= 10%



• When you change the speed, nozzle recovery effect cannot work in some cases. Use it after checking.

8

Press the **ENTER** key.

```
SETUP
MAPS           [ENT]
```

9

Press the **END** key several times to end the setting.



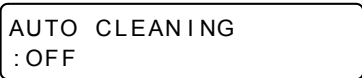
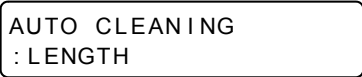



Setting Auto Cleaning

You can set the machine so that it counts the number of printed files or the length or time after printing has been completed, and performs cleaning automatically if required.

You can select the auto cleaning setting from three types below:

- PAGE : Set the cleaning intervals by the number of printed files.
- LENGTH : Set the cleaning intervals by the printed length.
- TIME : Set the cleaning intervals by the printed time.

The machine can perform a stable printing operation with its heads always kept clean.

- 1** Press the **FUNCTION** key in LOCAL. 
- 2** Press the **ENTER** key. 
- 3** Press **▲▼** to select **[AUTO CLEANING]** and press the **ENTER** key. 
- 4** Press **▲▼** to select the type of auto cleaning.
 - There are "PAGE", "LENGTH" and "TIME" for auto cleaning.
 - PAGE : When the set number of prints has been completed, the machine performs head cleaning automatically.
 - LENGTH : When the set length has passed, the machine performs head cleaning automatically.
 - TIME : When the set time has passed, the machine performs head cleaning automatically.
 - If you do not set auto cleaning, first select "OFF" and then proceed to the Step 10.
- 5** Press the **ENTER** key.
- 6** Press **▲▼** to set the cleaning interval.
 - Depending on the auto cleaning type selected in the Step 5, the setting value differs.
 - For PAGE : 1 to 1000 page
 - For LENGTH : 0.1 to 100.0m (in 0.1m increment)
 - For TIME : 10 to 120min (in 10min increment)
- 7** Press the **ENTER** key. 
- 8** Press **▲▼** to set the cleaning type.
Set Value : NORMAL/ SOFT/HARD 
- 9** Press the **ENTER** key.
- 10** Press the **END** key several times to end the setting.



- Depending on the state of the heads, etc., the image quality deterioration may not be improved even with this function performed. In this case, contact our service office or the distributor in your region.

Setting nozzle face cleaning time

When the set time has passed, nozzle face of the head is cleaned automatically to remove ink droplets on the nozzle face.

In case that deflection, nozzle missing, or symptom which ink droplets fall down occurred, make the interval between each operation shorter.

1	Press the FUNCTION key in LOCAL.	FUNCTION SETUP [ENT]
2	Press the ENTER key.	SETUP FEED COMP. [ENT]
3	Press ▲▼ to select [INTERVAL WIPING].	SETUP INTERVAL WIPING[ENT]
4	Press the ENTER key.	INTERVAL WIPING :OFF
5	Press ▲▼ to set intervals. • Set Value : 3 to 255 Minutes, OFF • When [OFF] is set, periodical wiping is not executed.	INTERVAL WIPING :OFF
6	Press the ENTER key.	SETUP INTERVAL WIPING[ENT]
7	Press the END key several times to end the setting.	

Other Settings

Change the settings according to the types of use.

1

Press the **FUNCTION** key in LOCAL.

```
FUNCTION
SETUP          [ENT]
```

2

Press the **ENTER** key.

```
SETUP
FEED COMP.    [ENT]
```

3

Press **▲** **▼** to select an item for setting.

• Select it, referring to P.3-2 "List of Functions".

4

Press the **ENTER** key.

5

Press **▲** **▼** to select the setting value.

• Select it, referring to P.3-2 "List of Functions".

6

Press the **ENTER** key.

7

Press the **END** key several times to end the setting.

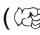
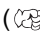
Important!

• The set value is retained even when the power is turned "OFF".

Machine Settings

Machine settings are functions for using this machine easily.
The following items can be set in Machine settings.

Item		Set value	Default	Meaning
AUTO Power-off (☞ P.3-16)		NONE/ 10 ~ 600min	NONE	When no operation has been performed for the set time, the power supply is automatically turned "OFF".
Feeding/ TakeUp (☞ P.3-17)	FEED	ON / OFF	OFF	Set whether you use the take-up/ feeding unit or not. When you print on the leaf media or you want to use the take-up unit only, perform setting of Feeding and TakeUp separately.
	ROLL	ON / OFF	OFF	
MEDIA REMAIN (☞ P.3-18)		ON / OFF	OFF	You can control the remaining amount of media.
TIME SET (☞ P.3-20)		+4h ~ -20h	Japan time	Time difference is corrected.
UNIT (☞ P.3-21)	TEMP.	°C (Centigrade) /°F (Fahrenheit)	°C	A unit for displaying temperature is set.
	LENGTH	mm / inch	mm	A unit for displaying length and area is set.
KEY BUZZER (☞ P.3-22)		OFF / ON	ON	A buzzer sound when keys are pressed is set.
HEAD SELECT (☞ P.3-23)		ALL HEAD line 1 HEAD line 2 HEAD line 3 HEAD line 1 & 2 HEAD line 2 & 3	ALL	If a trouble such as nozzle clogging cannot be solved, you can print only with the head without the trouble.
MEDIA DETECT (☞ P.3-25)	THICKNESS DETECT	AUTO/MANUAL	AUTO	When you enter any media thickness at setting the media or when the media thickness sensor has an error, set this to "MANUAL".
	WIDTH DETECT	AUTO/MANUAL	AUTO	When you enter any media width at setting the media or when the media width sensor has an error, set this to "MANUAL".
DRYING FEED (☞ P.3-26)		OFF/100 to 1000mm	OFF	To dry evenly up to the back edge of the printing data, set the length to be fed after printing has been completed.
	BACKWARD FEED	ON/OFF	ON	
View Feed (☞ P.3-27)		OFF/100 ~ 1000mm	OFF	Set to feed media to check the print results such as test prints.
	BACKWARD FEED	ON/OFF	ON	
SPACE BTWN PP. (☞ P.3-28)		OFF/10 to 500mm	OFF	Sets the amount of blank space between printed lines.
Space Feed Mode (☞ P.3-29)		INTERMITTENT/ CONTINUOUS	INTERMI TTENT	Change the feed mode of the margin included in the image data.

Item		Set value		Default	Meaning		
NETWORK & MAIL	NETWORK ( P.3-30)	Set the network.					
		IP Address	The IP address currently used by this machine is displayed.				
		MAC Address	The IP address currently used by this machine is displayed.				
		DHCP	ON / OFF		When it is ON, the IP address given by the DHCP server is used.		
		AutoIP	ON / OFF		When it is ON, the IP address is determined by the AutoIP protocol. However, DHCP is ON, DHCP has priority.		
		IP Address *1	Set the IP address used by this machine.				
		Def. Gateway *1	Set the default gateway used by this machine.				
		DNS Address *1	Set the DNS server address used by this machine.				
		SubNet Mask *1	Set the digit number of the subnet mask used by this machine.				
	EVENT MAIL ( P.3-32)	Mail Delivery	ON / OFF	OFF	Set whether you send/ do not send the e-mail when the set event occurs.		
		Select Event	Print Start Event	ON / OFF	OFF	Set whether you send/ do not send the e-mail at the start of printing.	
			Print End Event	ON / OFF	OFF	Set whether you send/ do not send the e-mail at the end of printing.	
			Warning Event	ON / OFF	OFF	Set whether you send/ do not send the e-mail when a warning occurs.	
			Other Event	ON / OFF	OFF	Set whether you send/ do not send the e-mail when an event other than the above occurs.	
		Mail Address	Set the e-mail address to which you send the event mail.	Alphanumeric characters and symbols (within 96 characters)			
		Message Subject	Set the characters to write in the subject of the event mail.	Alphanumeric characters and symbols (within 8 characters)			
		Server Setup	SMTP Address		Set the SMTP server.		
			SMTP PORT No.		Set the SMTP port number.		
			SENDER ADDRESS		Set the e-mail address to be used as the sender mail address.		
			Auth.	POP before SMTP	Set the SMTP server authentication method (SMTP authentication).		
SMTP Auth							
OFF							
USER NAME *2			Set the user name used for the authentication.				
PASS WORD *2			Set the password used for the authentication.				
POP3 ADDRESS *3		Set the POP server.					
APOP *3		Set ON/ OFF of APOP.					
Transmit Test	Send the test e-mail.						

Item		Set value	Default	Meaning
NETWORK & MAIL	SETTING LOCK (☞ P.3-42)	0000 to 9999	0000	You can freely specify a four digit password so that no one other than an administrator can perform network and mail settings.
	UNLOCK (Password is set)			
LANGUAGE (☞ P.3-24)		English ニホンゴ Deutsch Français Español Italiano Português	English	Displayed language is changed.
RESET(☞ P.3-44)		_____	_____	All setting values are returned to the status default.



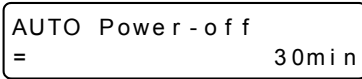
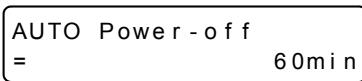
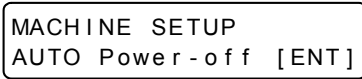
*1. Settable when both of DHCP and AutoIP are [OFF]

*2. Settable only when Auth. is not OFF

*3. Settable only when Auth. is POP before SMTP

Setting a AUTO Power-off

When no operation has been performed for the set time, the power supply is automatically turned "OFF".

- 1** Press the **FUNCTION** key in LOCAL. 
- 2** Press **▲** **▼** to select **[MACHINE SETUP]**. 
- 3** Press the **ENTER** key twice. 
- 4** Press **▲** **▼** to set time to turn OFF the power supply.
• Set Value : none, 10 to 600min 
- 5** Press the **ENTER** key. 
- 6** Press the **END** key several times to end the setting.

Important!

- If it has received data from the PC in the auto-power-off status, the power supply is turned on, however, the printing operation does not start automatically.

Setting the feeding and take up

Set whether you use the take-up/ feeding unit or not. When you print on the leaf media or you want to use the take-up unit only, perform setting of Feeding and TakeUp separately.

- | | | |
|----|--|---------------------------------------|
| 1 | Press the FUNCTION key in LOCAL. | FUNCTION
SETUP [ENT] |
| 2 | Press ▲ ▼ to select [MACHINE SETUP]. | FUNCTION
MACHINE SETUP [ENT] |
| 3 | Press the ENTER key. | MACHINE SETUP
AUTO Power-off [ENT] |
| 4 | Press ▲ ▼ to select [Feeding/TakeUp]. | MACHINE SETUP
Feeding/TakeUp [ENT] |
| 5 | Press the ENTER key. | FEED
:OFF |
| 6 | Press ▲ ▼ to select ON/OFF. | FEED
:ON |
| 7 | Press the ENTER key. | ROLL
:OFF |
| 8 | Press ▲ ▼ to select ON/OFF. | ROLL
:ON |
| 9 | Press the ENTER key. | |
| 10 | Press the END key several times to end the setting. | |

Setting the Display of Media Residual

Whether the screen displays the remaining amount of a media is set.

When the media remaining amount display is turned to "ON"	the remaining amount of a media is displayed in Remote. (However, when a leaf media is used, the length of the media to be printed is displayed.)
When the media remaining amount display is turned to "OFF"	the remaining amount of a media is not displayed in the Remote.



- The amount of a media that has been fed by the printing and jog keys is reflected in the remaining amount of a media.
- The length of a media (initial value of the remaining amount) is entered when a roll media is detected. (P.2-27)
- The setting configured here does not become effective unless media detection is performed after the setting has been complete.

1	Press the FUNCTION key in LOCAL.	FUNCTION SETUP [ENT]
2	Press ▲ ▼ to select [MACHINE SETUP].	FUNCTION MACHINE SETUP [ENT]
3	Press the ENTER key.	MACHINE SETUP AUTO Power-off [ENT]
4	Press ▲ ▼ to select [MEDIA REMAIN].	MACHINE SETUP MEDIA REMAIN [ENT]
5	Press the ENTER key.	MEDIA REMAIN : OFF
6	Press ▲ ▼ to select ON/OFF.	MEDIA REMAIN : ON
7	Press the ENTER key.	MACHINE SETUP MEDIA REMAIN [ENT]
8	Press the END key several times to end the setting.	

Printing the Remaining Amount of a Media

The present remaining amount of a media can be printed.



- Set "Remaining amount of a media to display" to "ON".
- When you replace the media you use now with another, it is recommended that you print the remaining amount of the media on it. With the remaining amount of a media having been printed beforehand, when you use the replaced media again, you can enter an accurate value in the screen for entering the remaining amount of a media (P.2-27) that appears after media detection.

1




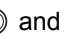



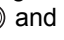

In **LOCAL**, Press    .

- LOCAL changes to the origin setting mode.

```
ORIGIN SETUP
0.0  - - - -
```

2




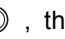

Press     to change the value of the origin.

- Move the carriage and media with     and set the origin.
- When you do not change the origin, do not press     and proceed to Step 3.
- When you press the  key here, the origin is changed, and the screen returns to LOCAL.

```
ORIGIN  SETUP
0.0     0.0
Origin  Origin
(Length) (Width)
```

3

Press the  key.

- When you press     , the screen returns to Step 2.
- When you press the  key, the screen returns to LOCAL.

```
MEDIA REMAIN PRINT
[ENT]
```

4

Press the  key.

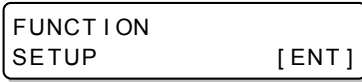



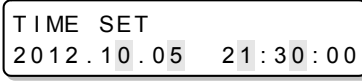
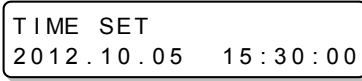
- The remaining amount of a media starts to be printed.
- When the printing has been completed, the screen returns to LOCAL.

Important!

- When the remaining amount of a media has been printed with the origin changed, the origin set here is effective even when subsequent data are printed.

Setting Time

You can set time of your country (time difference).

- 1** Press the **FUNCTION** key in LOCAL. 
- 2** Press **▲** **▼** to select **[MACHINE SETUP]**. 
- 3** Press the **ENTER** key. 
- 4** Press **▲** **▼** to select **[TIME SET]**. 
- 5** Press the **ENTER** key. 
- 6** Press **▲** **▼** **◀** **▶** to enter time.
Year/Month/Day/Time selecting : by the **◀** **▶** keys.
Year/Month/Day/Time inputting : by the **▲** **▼** keys.
- 7** Press the **ENTER** key.
• The entered date is displayed. 
- 8** Press the **END** key several times to end the setting.



- -20 hours to +4 hours can be set.

Setting Units

Units used by this machine are set.

- | | | |
|-----------|---|---------------------------------------|
| 1 | Press the key FUNCTION in LOCAL. | FUNCTION
SETUP [ENT] |
| 2 | Press ▲▼ to select [MACHINE SETUP]. | FUNCTION
MACHINE SETUP [ENT] |
| 3 | Press the ENTER key. | MACHINE SETUP
AUTO Power-off [ENT] |
| 4 | Press ▲▼ to select [UNIT]. | MACHINE SETUP
UNIT [ENT] |
| 5 | Press the ENTER key. | TEMP.
: °C |
| 6 | Press ▲▼ to select a unit of the temperature.
• Set value : °C / °F | |
| 7 | Press the ENTER key. | LENGTH
: mm |
| 8 | Press ▲▼ to select a unit of the length.
• Set value : mm / inch | |
| 9 | Press the ENTER key. | MACHINE SETUP
UNIT [ENT] |
| 10 | Press the END key several times to end the setting. | |

Setting a KEY BUZZER

You can turn off the buzzer sound when pressing the key.

- 1** Press the **FUNCTION** key in LOCAL. FUNCTION
SETUP <ENT>
- 2** Press **▲ ▼** to select **[MACHINE SETUP]**. FUNCTION
MACHINE SETUP [ENT]
- 3** Press the **ENTER** key. MACHINE SETUP
AUTO Power-off [ENT]
- 4** Press **▲ ▼** to select **[KEY BUZZER]**. MACHINE SETUP
KEY BUZZER [ENT]
- 5** Press the **ENTER** key. KEY BUZZER
: ON
- 6** Press **▲ ▼** to select **ON/OFF**. KEY BUZZER
: OFF
- 7** Press the **ENTER** key. MACHINE SETUP
KEY BUZZER [ENT]
- 8** Press the **END** key several times to end the setting.



- When the key buzzer is set to "OFF", the buzzer sound for errors, warnings, operation completion, etc. cannot be shut off.

Selecting the head line to use

If troubles such as the nozzle clogging is not solved, you can print with another head which has no error.

- | | | |
|---|---|---------------------------------------|
| 1 | Press the FUNCTION key in LOCAL. | FUNCTION
SETUP <ENT> |
| 2 | Press ▲ ▼ to select [MACHINE SETUP]. | FUNCTION
MACHINE SETUP [ENT] |
| 3 | Press the ENTER key. | MACHINE SETUP
AUTO Power-off [ENT] |
| 4 | Press ▲ ▼ to select [HEAD SELECT]. | MACHINE SETUP
HEAD SELECT [ENT] |
| 5 | Press the ENTER key. | HEAD SELECT
:ALL |
| 6 | Press ▲ ▼ to select a head to use.

Set value:ALL/ HEAD line 1/ HEAD line 2/ HEAD line
3/ HEAD line 1 & 2/ HEAD line 2 & 3 | HEAD SELECT
:HEAD line1 |
| 7 | Press the ENTER key. | MACHINE SETUP
HEAD SELECT [ENT] |
| 8 | Press the END key several times to end the setting. | |

Setting a LANGUAGE

You can change the displayed language.

1	Press the FUNCTION key in LOCAL.	FUNCTION SETUP [ENT]
2	Press ▲ ▼ to select [MACHINE SETUP].	FUNCTION MACHINE SETUP [ENT]
3	Press the ENTER key.	MACHINE SETUP AUTO Power-off [ENT]
4	Press ▲ ▼ to select [LANGUAGE].	MACHINE SETUP LANGUAGE [ENT]
5	Press the ENTER key.	LANGUAGE : English
6	Press ▲ ▼ to select language. • Set Value : ニホンゴ / English / Deutsch / Français / Español / Italiano / Português	MEDIA S IDUAL : ニホンゴ
7	Press the ENTER key.	MACHINE SETUP LANGUAGE [ENT]
8	Press the END key several times to end the setting.	

Setting a MEDIA DETECT

When you enter any media width at setting the media or when the media width sensor has an error, set this to "MANUAL".

- | | | |
|---|--|---------------------------------------|
| 1 | Press the FUNCTION key in LOCAL. | FUNCTION
SETUP <ENT> |
| 2 | Press ▲ ▼ to select [MACHINE SETUP]. | FUNCTION
MACHINE SETUP [ENT] |
| 3 | Press the ENTER key. | MACHINE SETUP
AUTO Power-off [ENT] |
| 4 | Press ▲ ▼ to select [MEDIA DETECT]. | MACHINE SETUP
MEDIA DETECT [ENT] |
| 5 | Press the ENTER key. | WIDTH DETECT
:AUTO |
| 6 | Press ▲ ▼ to select "AUTO" or "MANUAL". | WIDTH DETECT
:MANUAL |
| 7 | Press the ENTER key. | MACHINE SETUP
MEDIA DETECT [ENT] |
| 8 | Press the END key several times to end the setting. | |

Setting a DRYING FEED

To dry evenly up to the back edge of the printing data, set the length to be fed after printing has been completed. Depending to your external heater position, set it so that the data end may be fed until it passes the external heater.

1	Press the FUNCTION key in LOCAL.	FUNCTION SETUP <ENT>
2	Press ▲▼ to select [MACHINE SETUP].	FUNCTION MACHINE SETUP [ENT]
3	Press the ENTER key.	MACHINE SETUP AUTO Power-off [ENT]
4	Press ▲▼ to select [DRYING FEED].	MACHINE SETUP DRYING FEED [ENT]
5	Press the ENTER key.	DRYING FEED = 300mm
6	Press ▲▼ to select the feeding length. • Set value : OFF / 100 to 1000mm	DRYING FEED = 600mm
7	Press the ENTER key.	BACKWARD FEED : ON
8	Press ▲▼ and set whether you perform backward feed after dry feed or not. • Set value : ON/OFF	BACKWARD FEED : OFF
9	Press the ENTER key.	MACHINE SETUP DRYING FEED [ENT]
10	Press the END key several times to end the setting.	

Setting a View Feed

Set to feed media to check the print results such as test prints.

- | | | |
|-----------|--|---------------------------------------|
| 1 | Press the FUNCTION key in LOCAL. | FUNCTION
SETUP <ENT> |
| 2 | Press ▲ ▼ to select [MACHINE SETUP]. | FUNCTION
MACHINE SETUP [ENT] |
| 3 | Press the ENTER key. | MACHINE SETUP
AUTO Power-off [ENT] |
| 4 | Press ▲ ▼ to select [View Feed]. | MACHINE SETUP
View Feed [ENT] |
| 5 | Press the ENTER key. | View Feed
= OFF |
| 6 | Press ▲ ▼ to select ON or OFF.
• Set value : ON / OFF | View Feed
= ON |
| 7 | Press the ENTER key. | BACKWARD FEED
:ON |
| 8 | Press ▲ ▼ and set whether you perform backward feed after dry feed or not.
• Set value : ON/OFF | BACKWARD FEED
:OFF |
| 9 | Press the ENTER key. | MACHINE SETUP
View Feed [ENT] |
| 10 | Press the END key several times to end the setting. | |

Setting the amount of blank space between printed lines

Sets the amount of blank space between printed lines.

1	Press the FUNCTION key in LOCAL.	FUNCTION SETUP <ENT>
2	Press ▲ ▼ to select [MACHINE SETUP].	FUNCTION MACHINE SETUP [ENT]
3	Press the ENTER key.	MACHINE SETUP AUTO Power-off [ENT]
4	Press ▲ ▼ to select [SPACE BTWN PP.].	MACHINE SETUP SPACE BTWN PP. [ENT]
5	Press the ENTER key.	SPACE BTWN PP. = OFF
6	Press ▲ ▼ to set the amount of blank space. • Set value : OFF / 10 to 500mm	SPACE BTWN PP. = 100mm
7	Press the ENTER key.	MACHINE SETUP SPACE BTWN PP. [ENT]
8	Press the END key several times to end the setting.	



Back-feed operation is performed when printing ends if the amount of blank space is set in the decreasing direction.

Be careful of the following in such cases.

- If media is set in the roll holder without using the feeding device on the back of the printer, the media tension of the next printing will change due to back-feed, possibly causing the feed rate of the media of only the leading edge of the printed image to change. In such cases, manually rewind the media.
- This function is disabled if back-feed after drying feed is set to OFF in the machine settings "DRYING FEED" (P.3-26).
- If the printed data already has a blank space, using this function will result in "Blank space of the data + Amount of blank space set by using this function" being output as a blank space.

Setting the feed mode of the space of no data to be printed

Change the feed mode of the margin included in the image data (the space of no data to be printed). If print data with much margin, set to "CONTINUOUS", then the print time can be shorten.

- 1** Press the **FUNCTION** key in LOCAL.

FUNCTION
SETUP <ENT>
- 2** Press **▲** **▼** to select **[MACHINE SETUP]**.

FUNCTION
MACHINE SETUP [ENT]
- 3** Press the **ENTER** key.

MACHINE SETUP
AUTO Power-off [ENT]
- 4** Press **▲** **▼** to select **[SPACE BTWN PP.]**.

MACHINE SETUP
Space Feed Mode[ENT]
- 5** Press the **ENTER** key.

Space Feed Mode
= INTERMITTENT
- 6** Press **▲** **▼** to set the feed mode.


INTERMITTENT : Perform intermittent feed operation of the path division unit
CONTINUOUS : Feed the no data part at a time

Space Feed Mode
= CONTINUOUS
- 7** Press the **ENTER** key.

MACHINE SETUP
SPACE BTWN PP. [ENT]
- 8** Press the **END** key several times to end the setting.

Set the network

You can also perform network setting with "Network Configurator", the tool to perform network setting of Mimaki's product. To download the Network Configurator, check "Driver / Utility" on the download page at Mimaki Engineering (<http://mimaki.com/download/>).

1	Press the FUNCTION key in LOCAL.	FUNCTION SETUP [ENT]
2	Press ▲ ▼ to select [MACHINE SETUP].	FUNCTION MACHINE SETUP [ENT]
3	Press the ENTER key.	MACHINE SETUP AUTO Power-off [ENT]
4	Press ▲ ▼ to select [NETWORK & MAIL].	MACHINE SETUP NETWORK & MAIL [ENT]
5	Press the ENTER key twice.	NETWORK Check IP Addr. [ENT]
6	Press the ENTER key. • The IP address currently used by this machine is displayed.	Check IP Address 10.16.168.235
	 • After connecting with the network, it takes time until the IP address is determined. If the IP address has not been determined, "0.0.0.0" is displayed.	
7	Press the ENTER key.	NETWORK Check IP Addr. [ENT]
8	Press ▲ ▼ to select [Check MAC Addr.].	NETWORK Check MAC Addr. [ENT]
9	Press the ENTER key. • The MAC address currently used by this machine is displayed.	Check MAC Address 00:0d:1b:00:00:00
10	Press the ENTER key.	NETWORK Check MAC Addr. [ENT]
11	Press ▲ ▼ to select [DHCP].	NETWORK DHCP [ENT]

- 12** Press the **ENTER** key.
- Press **▲** **▼** to set ON/ OFF.
 - When it is ON, the IP address given by the DHCP server is used.
- DHCP
: ON
-
- 13** Press the **ENTER** key.
- NETWORK
DHCP [ENT]
-
- 14** Press **▲** **▼** to select [AutoIP].
- NETWORK
AutoIP [ENT]
-
- 15** Press the **ENTER** key.
- Press **▲** **▼** to set ON/ OFF.
 - When it is ON, the IP address is determined by the AutoIP protocol. However, DHCP is ON, DHCP has priority.
- AutoIP
: ON
-
- 16** Press the **ENTER** key.
- NETWORK
AutoIP [ENT]
-
- 17** Press **▲** **▼** to select the set values.
- Both of DHCP and AutoIP is OFF, you can set IP Address/ Default Gateway/ DNS Address/ Sub Net Mask. For other than above, proceed to the Step 21.
-
- 18** Press the **ENTER** key.
-
- 19** Press **▲** **▼** **◀** **▶** to select the set values.
-
- 20** Press **ENTER** to confirm the value.
-
- 21** Press the **END** key several times for terminating this function.



- To reflect network setting, once turn off the power supply and then turn it on again.

Setting event mail function

Set the function to send e-mails to the set e-mail address when events such as cutting start/ end and stop due to an error.

You can also perform event mail function setting with "Network Configurator", the tool to perform network setting of Mimaki's product. To download the Network Configurator, check " Driver / Utility" on the download page at Mimaki Engineering (<http://mimaki.com/download/>).

Disclaimer





- The customer is responsible for the communication fee for Internet communication such as e-mail notification.
- The notification by the event mail function may not be delivered due to Internet environment, failure of the device/ the power supply, etc. Mimaki has absolutely no responsibility for any damages or loss resulting from non-delivery or delays.

Important!
















- You can use event mail function by connecting LAN to this machine. Please prepare for LAN cable connection beforehand.
- Not compatible with SSL communication.

Enable the event mail function

1	Press the FUNCTION key in LOCAL.	FUNCTION SETUP [ENT]
2	Press ▲ ▼ to select [MACHINE SETUP].	FUNCTION MACHINE SETUP [ENT]
3	Press the ENTER key.	MACHINE SETUP AUTO Power-off [ENT]
4	Press ▲ ▼ to select [NETWORK & MAIL].	MACHINE SETUP NETWORK & MAIL [ENT]
5	Press the ENTER key.	NETWORK & MAIL NETWORK [ENT]
6	Press ▲ ▼ to select [EVENT MAIL].	NETWORK & MAIL EVENT MAIL [ENT]
7	Press the ENTER key.	EVENT MAIL Mail Delivery [ENT]
8	Press the ENTER key.	Mail Delivery :OFF

- 9** Press   to select "ON".
- Mail Delivery
:ON
- 10** Press the  key.
- EVENT MAIL
Mail Delivery [ENT]
- 11** Press the  key several times for terminating this function.

Set the event to send an event mail

- 1** Press the  key in LOCAL.
- FUNCTION
SETUP [ENT]
- 2** Press   to select [MACHINE SETUP].
- FUNCTION
MACHINE SETUP [ENT]
- 3** Press the  key.
- MACHINE SETUP
AUTO Power-off [ENT]
- 4** Press   to select [NETWORK & MAIL].
- MACHINE SETUP
NETWORK & MAIL [ENT]
- 5** Press the  key.
- NETWORK & MAIL
NETWORK [ENT]
- 6** Press   to select [EVENT MAIL].
- NETWORK & MAIL
EVENT MAIL [ENT]
- 7** Press the  key.
- EVENT MAIL
Mail Delivery [ENT]
- 8** Press the jog key  or  to select [Select Event].
- EVENT MAIL
Select Event [ENT]
- 9** Press the  key.
- Set whether you send/ do not send the e-mail at the start of plotting.
 - Press   to set ON/ OFF.
- Print Start Event
:OFF

10Press the **ENTER** key.

- Set whether you send/ do not send the e-mail at the end of plotting.
- Press **▲** **▼** to set ON/ OFF.

Print End Event
:OFF**11**Press the **ENTER** key.

- Set whether you send/ do not send the e-mail when the printing operation stops because an error occurs.
- Press **▲** **▼** to set ON/ OFF.

Error Evenn
:OFF**12**Press the **ENTER** key.

- Set whether you send/ do not send the e-mail when a warning occurs during printing.
- Press **▲** **▼** to set ON/ OFF.

Warning Event
:OFF**13**Press the **ENTER** key.

- Set whether you send/ do not send the e-mail when an event other than the above occurs.
- Press **▲** **▼** to set ON/ OFF.

Other Event
:OFF**14**Press the **ENTER** key.EVENT MAIL
Select Event [ENT]**15**Press the **END** key several times for terminating this function.

Set the e-mail address

1Press the **FUNCTION** key in LOCAL.FUNCTION
SETUP [ENT]**2**Press **▲** **▼** to select [MACHINE SETUP].FUNCTION
MACHINE SETUP [ENT]**3**Press the **ENTER** key.MACHINE SETUP
AUTO Power-off [ENT]**4**Press **▲** **▼** to select [NETWORK & MAIL].MACHINE SETUP
NETWORK & MAIL [ENT]

- 5** Press the **ENTER** key.
- NETWORK & MAIL
NETWORK [ENT]
-
- 6** Press **▲** **▼** to select [EVENT MAIL].
- NETWORK & MAIL
EVENT MAIL [ENT]
-
- 7** Press the **ENTER** key.
- EVENT MAIL
Mail Delivery [ENT]
-
- 8** Press **▲** **▼** to select [Mail Address] .
- EVENT MAIL
Mail Address [ENT]
-
- 9** Press the **ENTER** key.
- Mail Address
-
- 10** Press **▲** **▼** **◀** **▶** to set mail address.
- Set the e-mail address to which you send the event mail.
 - Set it with alphanumeric characters and symbols within 96 characters.
-
- 11** Press the **ENTER** key.
- EVENT MAIL
Mail Address [ENT]
-
- 12** Press the **END** key several times for terminating this function.

Set the subject

- 1** Press the **FUNCTION** key in LOCAL.

FUNCTION SETUP [ENT]

- 2** Press **▲▼** to select **[MACHINE SETUP]**.

FUNCTION MACHINE SETUP [ENT]

- 3** Press the **ENTER** key.

MACHINE SETUP AUTO Power-off [ENT]

- 4** Press **▲▼** to select **[NETWORK & MAIL]**.

MACHINE SETUP NETWORK & MAIL [ENT]

- 5** Press the **ENTER** key.

NETWORK & MAIL NETWORK [ENT]

- 6** Press **▲▼** to select **[EVENT MAIL]**.

NETWORK & MAIL EVENT MAIL [ENT]

- 7** Press the **ENTER** key.

EVENT MAIL Mail Delivery [ENT]

- 8** Press **▲▼** to select **[Message Subject]**.

EVENT MAIL Message Subject [ENT]

- 9** Press the **ENTER** key.

Message Subject TS500-#1 [ENT]

- 10** Press **▲▼◀▶** to set subject
 - Set the characters to write in the subject of the event mail.
 - Set it with alphanumeric characters and symbols within 8 characters.
- 11** Press the **ENTER** key.

EVENT MAIL Message Subject [ENT]

- 12** Press the **END** key several times for terminating this function.

Set the server

- | | | |
|-----------|---|---------------------------------------|
| 1 | Press the FUNCTION key in LOCAL. | FUNCTION
SETUP [ENT] |
| 2 | Press ▲ ▼ to select [MACHINE SETUP]. | FUNCTION
MACHINE SETUP [ENT] |
| 3 | Press the ENTER key. | MACHINE SETUP
AUTO Power-off [ENT] |
| 4 | Press ▲ ▼ to select [NETWORK & MAIL]. | MACHINE SETUP
NETWORK & MAIL [ENT] |
| 5 | Press the ENTER key. | NETWORK & MAIL
NETWORK [ENT] |
| 6 | Press ▲ ▼ to select [EVENT MAIL]. | NETWORK & MAIL
EVENT MAIL [ENT] |
| 7 | Press the ENTER key. | EVENT MAIL
Mail Delivery [ENT] |
| 8 | Press ▲ ▼ to select [Server Setup] . | EVENT MAIL
Server Setup [ENT] |
| 9 | Press the ENTER key. | SERVER SETUP
SMTP Address [ENT] |
| 10 | Press the ENTER key.
• Press the jog key ▲ ▼ ◀ ▶ to set SMTP server.
• Input the SMYP server name. | SMTP Address |
| 11 | Press the ENTER key. | SERVER SETUP
SMTP Address [ENT] |
| 12 | Press ▲ ▼ to select [SMTP Port No.] . | SERVER SETUP
SMTP Port No. [ENT] |
| 13 | Press the ENTER key. | SMTP Port No.
: 25 |

14 Press   to set [SMTP Port] .

- Set the SMTP port number.

15 Press the  key.



SERVER SETUP
SMTP Port No. [ENT]

16 Press the jog key  or  to select [Authentication] .

SERVER SETUP
Authentication [ENT]

17 Press the  key.

Authentication
:POP before SMTP

18 Press   to set authentication method .

- Set the authentication method of the SMTP server.
- When you select [OFF], proceed to the Step 32.

Authentication
:POP before SMTP





19 Press the  key.

SERVER SETUP
Authentication [ENT]

20 Press   to select [SENDER ADDRESS].

SERVER SETUP
SENDER ADDRESS [ENT]

21 Press the  key.

- Press     and set the e-mail address to be used as the sender mail address.
- Set it with alphanumeric characters and symbols within 64 characters.

SENDER ADDRESS



- Depending on your server, if you do not set the e-mail address not supporting the account, sending/ receiving e-mails may be unavailable.





22 Press the  key.

SERVER SETUP
SENDER ADDRESS [ENT]

23 Press   to select [User Name].

SERVER SETUP
User Name [ENT]

24 Press the  key.

- Press     to set the user name to use for the authentication.
- Set it with alphanumeric characters and symbols within 30 characters.

User Name





25 Press the  key.

SERVER SETUP
User Name [ENT]

26 Press   to select [Pass Word] .

SERVER SETUP
Pass Word [ENT]


27 Press the  key.

- Press     to set the password to use for the authentication.
- Set it with alphanumeric characters and symbols within 15 characters.



- On the password setting screen, you can only check the value that you are currently inputting.

Pass Word

28 Press the  key.

- When you select [POP before SMTP] in the Step 16, set the items in the Step 27 to 31.

SERVER SETUP
Pass Word [ENT]

29 Press   to select [POP3 Addr.] .

SERVER SETUP
POP3 Address [ENT]

30 Press the  key.

- Press the jog key     to set POP server.
- Input the POP server name.

POP3 Address



31 Press the  key.

SERVER SETUP
POP3 Address [ENT]

32 Press   to select [APOP] .

SERVER SETUP
APOP [ENT]

33 Press the  key.

- Press   to set ON/ OFF of APOP.

APOP
: ON

34 Press the  key.

SERVER SETUP
APOP [ENT]

35 Press the  key several times for terminating this function.

Send a test e-mail

- 1** Press the **FUNCTION** key in LOCAL. FUNCTION
SETUP [ENT]
- 2** Press **▲▼** to select **[MACHINE SETUP]**. FUNCTION
MACHINE SETUP [ENT]
- 3** Press the **ENTER** key. MACHINE SETUP
AUTO Power-off [ENT]
- 4** Press **▲▼** to select **[NETWORK & MAIL]**. MACHINE SETUP
NETWORK & MAIL [ENT]
- 5** Press the **ENTER** key. NETWORK & MAIL
NETWORK [ENT]
- 6** Press **▲▼** to select **[EVENT MAIL]**. NETWORK & MAIL
EVENT MAIL [ENT]
- 7** Press the **ENTER** key. EVENT MAIL
Mail Delivery [ENT]
- 8** Press **▲▼** to select **[Transmit Test]** . EVENT MAIL
Transmit Test [ENT]
- 9** Press the **ENTER** key. Transmit Test
EXECUTE [ENT]
- 10** Press the **ENTER** key. Transmit Test
Success [ENT]
 - The sent result is displayed.
 - If sending test e-mail has failed, an error code is displayed.
Refer to the next page to solve the problem.Transmit Test
Failed: 12345 :ent

Error code
- 11** Press the **END** key several times for terminating this function.

Important!

- The sent result of the test e-mail is the result of e-mail sending process performed by this machine to the e-mail server. It does not indicate that the e-mail was received at the address.
- If the spam e-mail filter etc. has been set in the terminal in which e-mails are received, even if "Sending has been completed" is displayed, the e-mail cannot be received in some cases.
- If sending test e-mail has failed, the error code below is displayed.
- If the error cannot be solved, try again after a while.
- For the server setting etc., contact with the network administrator or the provider.

Error Code	The expected casus	Remedy
10	Network connection error	<ul style="list-style-type: none"> • Check that the machine is connected with the network. • Check that the machine IP address is correct. • Check that the machine is in the environment where DNS is available.
20	No valid e-mail address.	<ul style="list-style-type: none"> • Enter the correct e-mail address.
11003 11004	The POP server cannot be found. Or cannot access DNS server.	<ul style="list-style-type: none"> • Check the POP server address. • Check that the machine is in the environment where DNS is available.
11021	Cannot connect with the POP server.	<ul style="list-style-type: none"> • Check the POP server setting. • Check the firewall setting.
12010	An error returns from the POP server.	<ul style="list-style-type: none"> • Check the POP server setting.
13000	The POP authentication has failed.	<ul style="list-style-type: none"> • Check the user name and the password. • Check the APOP setting. • Confirm the authentication method.
10013 10014	The SMTP server cannot be found. Or cannot access DNS server.	<ul style="list-style-type: none"> • Check the SMTP server address. • Check that the machine is in the environment where DNS is available.
10021	Cannot connect with the SMTP server.	<ul style="list-style-type: none"> • Check the SMTP server setting. • Check the SMTP port number. • Check the firewall setting.
10*** 11*** 20*** 21***	An error returns from the SMTP server.	<ul style="list-style-type: none"> • Check the SMTP server setting. • Cannot communicate with a server that requires mandatory SSL communication. • Check protocol filter settings.
12***	It is invalid sender address.	<ul style="list-style-type: none"> • Check that the e-mail address supporting the account entered in the user name/ the password is set in SENDER ADDRESS.
13***	The e-mail address cannot be found.	<ul style="list-style-type: none"> • Check the e-mail address. • Even if there is a mistake in the e-mail address, this error cannot be detected in some cases.
22000 22008	SMTP authentication error	<ul style="list-style-type: none"> • Confirm the authentication method.
23*** 24*** 25***	The SMTP authentication has failed.	<ul style="list-style-type: none"> • Check the user name and the password.

“***” is the error code returned from the e-mail server.

Setting the Setting Lock function

You can freely specify a four digit password so that no one other than an administrator can perform network and mail settings.

Specifying the password for the network and event mail functions

- 1** Press the **FUNCTION** key in LOCAL.

FUNCTION SETUP	[ENT]
-------------------	-------
- 2** Press **▲** **▼** to select **[MACHINE SETUP]**.

FUNCTION MACHINE SETUP	[ENT]
---------------------------	-------
- 3** Press the **ENTER** key.

MACHINE SETUP AUTO Power-off	[ENT]
---------------------------------	-------
- 4** Press **▲** **▼** to select **[NETWORK & MAIL]**.

MACHINE SETUP NETWORK & MAIL	[ENT]
---------------------------------	-------
- 5** Press the **ENTER** key.

NETWORK & MAIL NETWORK	[ENT]
---------------------------	-------
- 6** Press **▲** **▼** to select **[SETTING LOCK]**.

NETWORK & MAIL SETTING LOCK	[ENT]
--------------------------------	-------
- 7** Press the **ENTER** key.

SETTING LOCK LOCK	:0000
----------------------	-------
- 8** Specify a freely chosen password (four digits) and press the **ENTER** key.
• A notification that setting has started is briefly displayed.

SETTING LOCK LOCK START	:????
----------------------------	-------
- 9** Press the **END** key several times for terminating this function.

Releasing the password for the network and event mail functions

- 1** Press the **FUNCTION** key in LOCAL.

FUNCTION
SETUP [ENT]
- 2** Press **▲** **▼** to select [MACHINE SETUP].

FUNCTION
MACHINE SETUP [ENT]
- 3** Press the **ENTER** key.

MACHINE SETUP
AUTO Power-off [ENT]
- 4** Press **▲** **▼** to select [NETWORK & MAIL].

MACHINE SETUP
NETWORK & MAIL [ENT]
- 5** Press the **ENTER** key.

NETWORK & MAIL
NETWORK [ENT]
- 6** Press **▲** **▼** to select [SETTING LOCK].

NETWORK & MAIL
SETTING LOCK [ENT]
- 7** Press the **ENTER** key.

SETTING LOCK
UNLOCK : ****
- 8** Enter a four-digit password and press the **ENTER** key.

 - The screen on the right is displayed if releasing is a success.
 - The screen on the right is displayed to notify of failure if releasing is a failure.

SETTING LOCK
Release Success

SETTING LOCK
Release failure
- 9** Press the **END** key several times for terminating this function.

Important!

- If you forget the password, you can press the **FUNCTION** key displayed in the screen of Step 7 to display the password forced release screen. Be careful as although you can press the **ENTER** key to forcibly release the password, items set for the network and event mail also return to their initial values, making it necessary to re-specify them.

Initializing the Settings

You can return the setting of "SETUP", "MAINTENANCE" and "MACHINE SETUP" to the status before shipment.

- 1** Press the **FUNCTION** key in LOCAL.

FUNCTION SETUP	[ENT]
-------------------	-------
- 2** Press **▲** **▼** to select **[MACHINE SETUP]**.

FUNCTION MACHINE SETUP	[ENT]
---------------------------	-------
- 3** Press the **ENTER** key.

MACHINE SETUP AUTO Power-off	[ENT]
---------------------------------	-------
- 4** Press **▲** **▼** to select **[RESET]**.



MACHINE SETUP RESET	[ENT]
------------------------	-------
- 5** Press the **ENTER** key.

RSET ALL SETTING OK?	[ENT]
-------------------------	-------
- 6** Press the **ENTER** key.
 - The already configured settings are initialized.

RESET EXECUTE	[ENT]
------------------	-------
- 7** Press the **END** key several times to end the setting.






Confirming Machine Information


The information of this machine can be confirmed.
The following items can be confirmed as machine information.

Item	Description
ERROR HISTORY	This displays the history of errors and warnings to date. When you press   , the date of occurrence (year/month/day/hour/minute) and the error/warning information are displayed alternately in the order of occurrence.
USAGE	The information of this machine can be confirmed.
WIPING	
PRINT LENGTH	
PRINT AREA	
USE TIME	
HEAD MAINT.	
STATION MAINT.	
NOZZLE WASH	
DISWAY WASH	
CUSTODY WASH	
VERSION	This displays the firmware version for the machine and the information for the main PCB.
LIST	This allows you to print the settings of the machine.
Ink REPL. Report	This prints ink history of this machine.

Check the using status of the machine

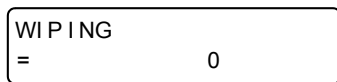
You can check machine information such as wiping information and length printed by this machine.

- Press the **FUNCTION** key in LOCAL. 
- Press   to select **[INFORMATION]**. 
- Press the **ENTER** key. 

- Press the **ENTER** key.
 - The wiping Information is displayed.
 - Every time you press the **ENTER** key, machine information below are displayed in series.

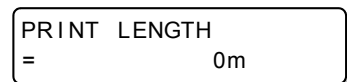
WIPING

Displays wiping information.



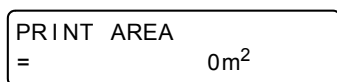
PRINT LENGTH

Displays printed length up to now.



PRINT AREA

Displays printed area up to now.



USE TIME

Displays used time information of machine.



3 Convenient use

HEAD MAINT.

The elapsed time is displayed when HEAD MAINT. is complete.

HEAD MAINT.
= 0h

STATION MAINT.

The elapsed time is displayed when STATION MAINT. is complete.

STATION MAINT.
= 0h

NOZZLE WASH

The elapsed time is displayed when NOZZLE WASH is complete.

NOZZLE WASH
= 0h

DISWAY WASH

The elapsed time is displayed when DISWAY WASH is complete.

DISWAY WASH
= 0h

CUSTODY WASH

The elapsed time is displayed when CUSTODY WASH is complete.

CUSTODY WASH
= 0h



- When you reset the used count of the wiper, press the **MAINT.** key while WIPING is displayed.
When you press the **ENTER** key, the number of wipings is reset.

WIPING
RESET? [ENT]

Check the machine version information

- 1** Press the **FUNCTION** key in LOCAL.

FUNCTION
SETUP [ENT]
- 2** Press **▲▼** to select **[INFORMATION]**.

FUNCTION
INFORMATION [ENT]
- 3** Press the **ENTER** key.

INFORMATION
USAGE [ENT]
- 4** Press **▲▼** to select **[VERSION]**.

INFORMATION
VERSION [ENT]
- 5** Press the **ENTER** key.

 - The version Information is displayed.

Tx500-1800	V3.30
MRL-111	V2.20

Check the Error History

This section describes how to read error history.

ERROR HISTORY

Displaying the occurrence date

[00000]
2014/09/26 22:13:00

◀ ▶

Displaying the contents of error

ERROR 12a
HDC SPEED

Check the Substrate Information

Explains the substrate information.

INFORMATION
VERSION [ENT]

ENTER

Tx500-1800	V3.30
MRL-111	V2.20

Displays the version information such as F/W or the like.

ENTER

MAIN PCB EPL2B

Displays the Type of Substrate.

Displays the type of main PCB.
Displays the EPL, EPL2, or EPD2B.

3 Convenient use

Displaying the Information of this machine

1

Press the **ENTER** key in LOCAL.

Sb300	12345678
REMAIN	99999999

2

The information is displayed sequentially with the **ENTER** key .

• The information shown on the below appear.

Remaining amount of ink

Sb300	MMBBYYKK
REMAIN	99999999

Error (when ink error occurs)

NON INK IC
MMBBYYKK

Warning (when warning occurs)

WARNING
Replace a Wiper [MNT]

Media width

MEDIA WIDTH
= 1000mm

Head gap

HEAD GAP
= 2.0mm

Media thick

MEDIA THICKNESS
= 0.1mm

Serial No.

SERIAL No.
: *****

Version

Tx500-1800	V3.30
MRL-III	V2.20

Main PCB Information

MAIN PCB	EPL
----------	-----

RECOVERY NOZZLE

RECOVERY NOZZLE : *
CONFIRM DETAILS [MNT]

Press the **MAINT.** key and confirm the description

3

Press the **ENTER** key to return to LOCAL.

Chapter 4

Maintenance



This chapter

describes the items required to use this machine more comfortably, which are the methods for the daily care, the maintenance of the ink unit etc.






Maintenance	4-2	Cleaning the Head and the Area around It	4-18
Precautions for Maintenance	4-2	When Nozzle Clogging Cannot Be Solved	4-20
About Cleaning Solution	4-2	Washing of Head nozzle	4-20
Cleaning the Exterior Surfaces	4-2	Alternative nozzles for printing, when nozzles missing can not be improved	4-22
Cleaning turning bar (take-up side)	4-3	Automatic Maintenance Function	4-26
Cleaning the tension roller	4-3	Setting the Refreshing Intervals	4-26
Cleaning the brake roller	4-3	Setting the Cleaning Intervals	4-27
Cleaning the Platen	4-4	Cleaning Y motor	4-28
Cleaning of grit roller	4-6	Replacing consumables	4-29
Cleaning the Fabric Retainer	4-8	Replacing the wiper	4-29
Maintaining the Capping Station	4-9	If a Waste Ink Tank Confirmation Message Appears	4-30
Cleaning around the wiper	4-9		
Cleaning the wiper ink pan	4-12		
Washing the Ink Discharge Passage (DISWAY WASH)	4-14		
When the Machine Is Not Used for a Long Time (CUSTODY WASH)	4-15		

Maintenance

Maintain the machine regularly or as necessary so that its accuracy will be maintained and it can continue to be used for a long time.

Precautions for Maintenance

Pay attention to the following items when maintaining this machine.

	<ul style="list-style-type: none">When using cleaning solution for maintenance, be sure to wear the supplied protective glasses.
	<ul style="list-style-type: none">Never disassemble the machine. Disassembling it can result in electric shock hazards or damage to the machine. Before maintenance, be sure to turn off the power button and main power switch, and unplug the power cable; otherwise, an unexpected accident may occur.
	<ul style="list-style-type: none">Prevent moisture from entering the machine. Moisture inside the machine can cause electric shock hazards or damage to the machine.
	<ul style="list-style-type: none">To ensure stable ink jetting, it is necessary for the machine to eject a small amount of ink (flushing) regularly when a printing (outputting) operation has not been performed for a long time.When the machine is not to be used for a long time, turn off only the power button on the front side, leave the main power switch at the side turned ON (in the position of), and leave the power cable connected.
	<ul style="list-style-type: none">Do not use benzene, thinner, or any chemical agent containing an abrasive. Such materials can deteriorate or deform the surface of the cover.Do not apply a lubricant, etc. to any parts inside the machine. Doing so can cause printing failure.Be careful that the cleaning solution, ink, etc. not to stick to the cover because this may cause the surface of the cover to deteriorate or deform.

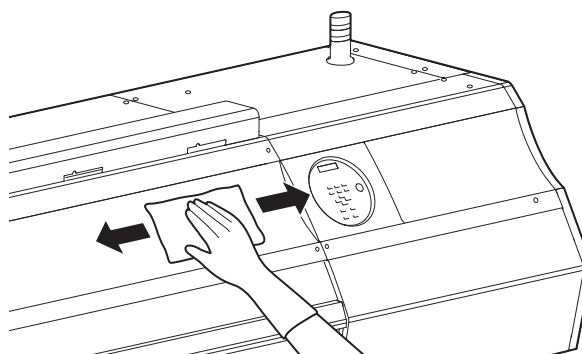
About Cleaning Solution

Use the cleaning liquid dedicated for the ink being used.

Type of Ink	Applicable maintenance washings
Sublimation dye ink	Cleaning liquid 03 maintenance kit (ML003-Z-K1)

Cleaning the Exterior Surfaces

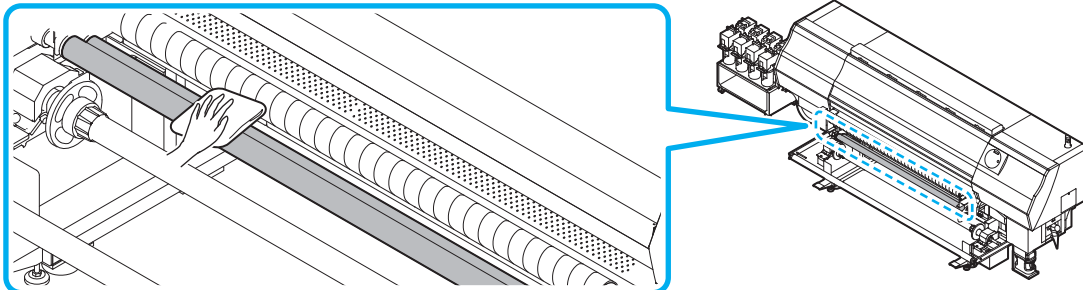
When the exterior surfaces of the machine are stained, dampen a soft cloth with water or a neutral detergent diluted with water, squeeze it, and wipe the surfaces with the cloth.



Cleaning turning bar (take-up side)

Remove ink blot etc. adhering to the turning bar located on the front surface of the machine and used at taking-up the media.

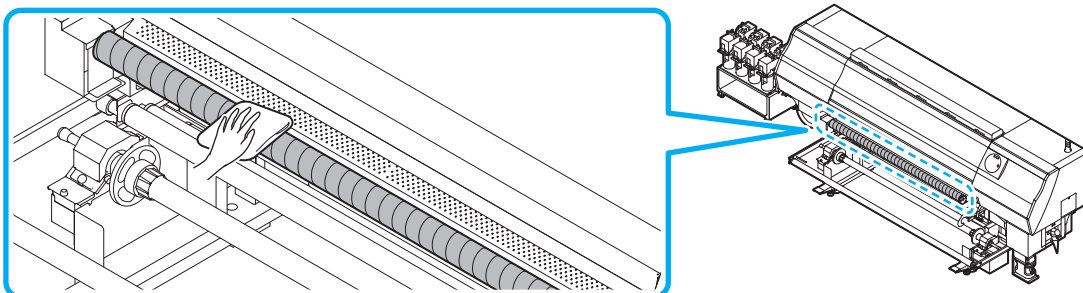
Moisten soft cloth with water or waterish mild detergent, squeeze tightly and then wipe it off.



Cleaning the tension roller

Remove ink stain etc. adhering to the tension roller at the front side of the machine.

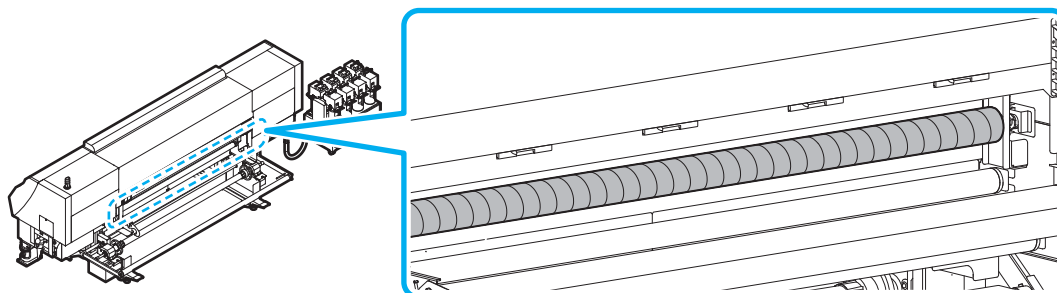
Moisten soft cloth with water or waterish mild detergent, squeeze tightly and then wipe it off.



Cleaning the brake roller

Remove waste textile etc. adhering to the brake roller at the rear side of the machine.

Clean waste textile on the surface of the brake roller by pasting adhesive tape on it.



Cleaning the Platen

When you print on an openweave fabric, some parts of ink pass through the fabric and adhere to the platen. If you are worried about ink stain, clean ink adhering to the platen with water as below. (about once a week)

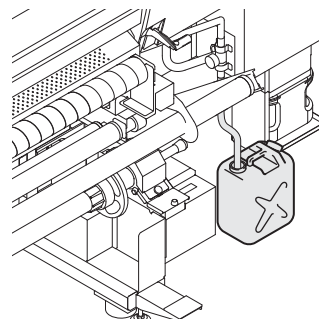
Important!

- For cleaning the platen, the tank to which dirty water is discharged is required. As this machine is not equipped with the tank for discharging dirty water, it is necessary for the customer to prepare separately by yourself.

1

Set the tank for discharging dirty water.

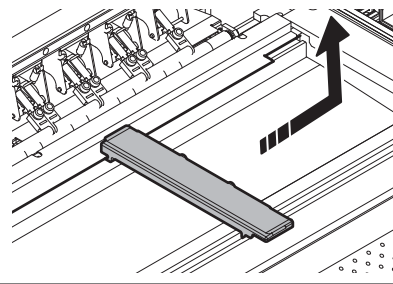
- The hose for discharging dirty water is at the right side of the main body. Set the plastic tank etc. at the top edge of the hose.



2

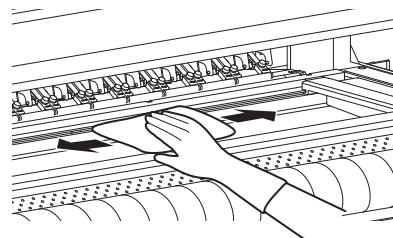
Remove the fabric retainer.

- Slide the fabric retainer to the edge of the platen, and remove it.



3

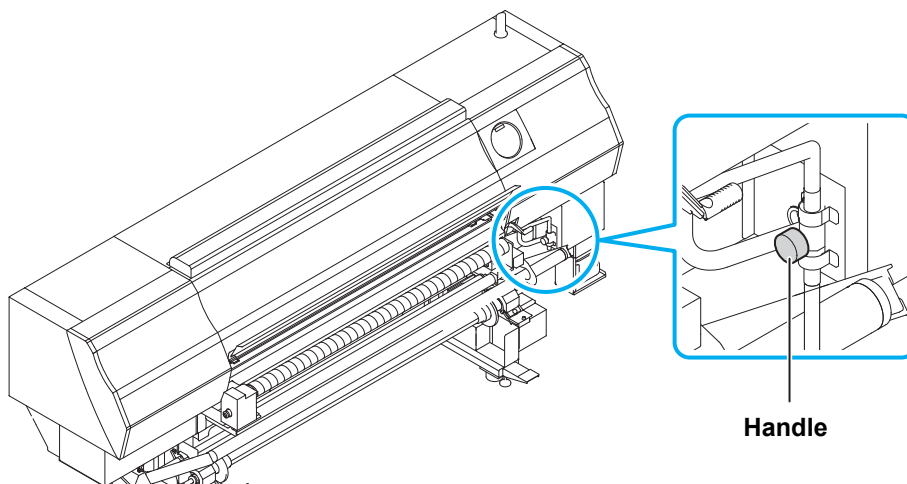
Clean the platen with water.



4

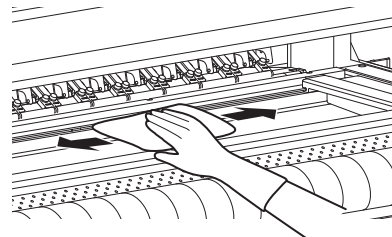
Discharge dirty water pooled in the platen.

- Rotate the handle attached to the hose for discharging dirty water clockwise, and discharge dirty water pooled in the platen.



5

Wipe off dirty water remaining on the platen with a waste cloth etc.

**6**

Tighten the handle for discharging dirty water, and remove the tank.

- Discard dirty water pooled in the tank in compliance with regulation in the local area.

7

Remove the fabric retainer.

Cleaning of grit roller

Remove pre-treatment agent or lint adhering to the grit roller with the resin brush periodically.

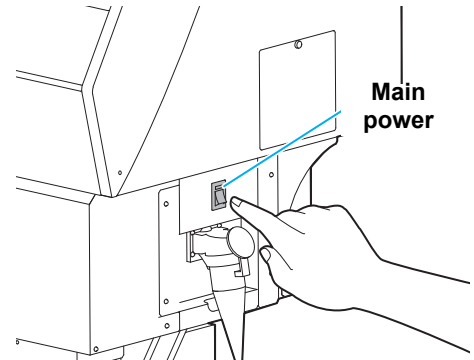
Important!

- Clean the grit roller periodically.
- In some cases and depending on media pre-treatment agent, if it is left on the grit roller, it may cause rust.
- If rust is generated on the grit roller, there is the fear that it cannot feed the media normally.

1

Turn the power switch OFF.

- Tilt the power switch to the "O" side.



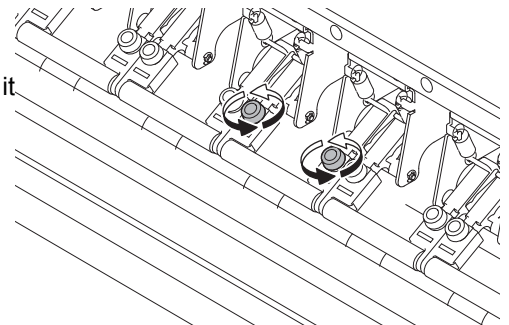
2

Open the front cover and raise the clamp lever.

3

Remove the pinch roller.

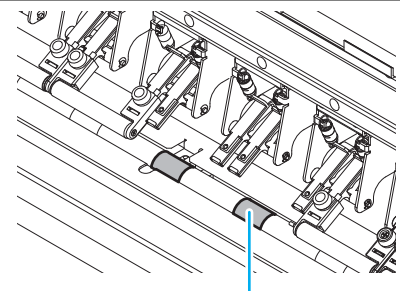
- Loosen the hand screws (for two positions) and then pull it to front.



4

Wipe the surface of the grit roller with the brush to remove blot.

- Wipe the surface of the grit roller for several times lightly.
- Brush circumference of the grit roller while rotating it with your fingers.
- Wipe off dirty edge of the brush with a dry cloth.



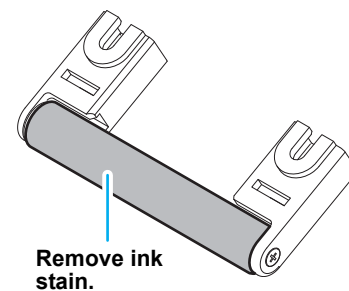
Grit roller

Important!

- Be sure to clean the grit roller with resin brush. If you wipe off with a fabric or a paper, lint may adhere to concavity and convexity parts. In addition, if you use a hard metallic brush etc., it may scratch the grit roller.
- Do not immerse the brush in water or washing liquid. It expedites rust.

5 Remove blot on the pinch roller surface.

- Wipe the pinch roller surface with a cloth etc. to remove ink blot.

**6 Attach the pinch roller.**

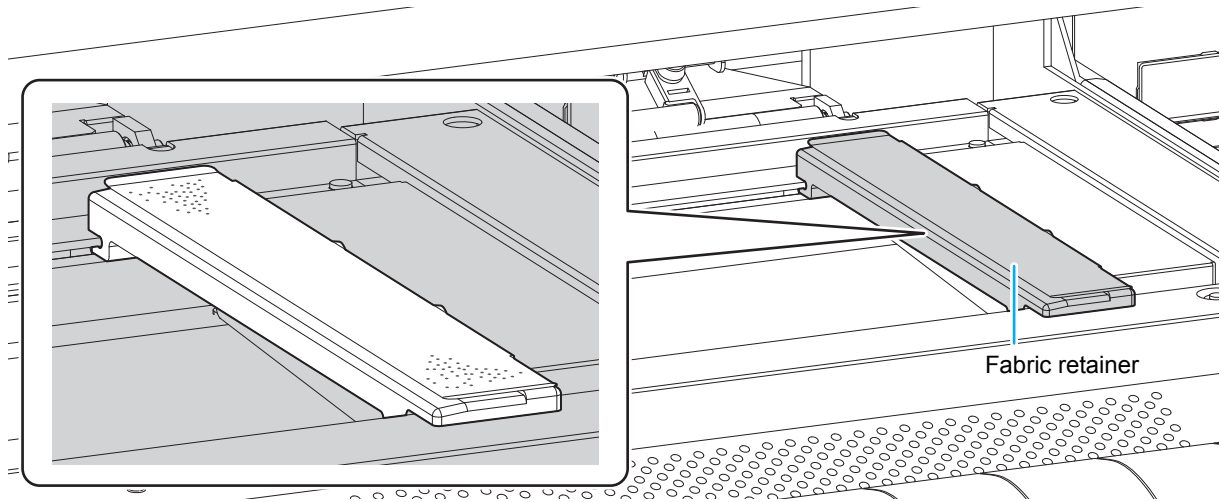
- When attaching the pinch roller, align it with the protrusion of attaching side.

7 Turn on the power supply of this machine to check whether the operation is normal.

- (1) Press the **ST.MAINT** key in LOCAL.
- (2) Press **▼▲** to select [Carriage Out].
- (3) Press the **ENTER** key.
 - The carriage moves onto the platen.
- (4) Open the front cover.
- (5) Move the carriage manually to the left edge and check that the carriage does not contact with the pinch roller.
 - If the carriage contacts with the pinch roller, attach the pinch roller again and then check that it does not contact with the carriage.
- (6) After you check that there is no problem, close the front cover.
- (7) Press the **ENTER** key.
 - After its initial operation, the machine returns to the media selection. (☞ P.2-19)

Cleaning the Fabric Retainer

When you wish to clean dirt such as ink etc. adhered on the cloth holder, you can remove the cloth holder to clean it.



Maintaining the Capping Station

Maintain the ink cap, wiper, wiper blade etc. located in the capping station. (STATION MAINT.)

The ink cap and wiper function as follows.

- **Wiper** : It wipes off ink sticking to the head nozzles.
- **Ink cap** : It prevents the head nozzles from clogging due to dryness.
- **Wiper blade** : It removes the ink that has adhered to the wiper.

As the machine is used repeatedly, the wiper and ink cap gradually become dirty with ink, dust, etc. If nozzle missing cannot be corrected even after head cleaning (☞ P.2-33) has been performed, use a Cleaning liquid 03 maintenance kit and clean stick.

Tools required for Maintenance	• Cleaning liquid 03 maintenance kit (ML003-Z-K1)		
	• Clean stick (SPC-0527)	• Gloves	• Goggles



- Be sure to wear the supplied goggles and gloves when maintaining the capping station. Otherwise, you may get ink in your eyes.
- Do not move the carriage out of the capping station by hand. When it is desirable to move the carriage, press the **MAINT.** key to execute the carriage-out. (☞ P.4-9 Steps 1 to 2)
- Be sure to perform maintenance for the ink cap and the wiper of capping station every day. If you leave it dirty, dirt may adhere to the nozzle surface, or, dust and dry ink may be rubbed against the nozzle. It may cause discharge defect.

Cleaning around the wiper

It is recommended that the wiper and cap be cleaned frequently in order to maintain the high image quality of the machine and keep the machine itself in good working order.



- Clean the wiper and the area around it at the end of the working day.
- Replace the wiper with a new one when it is extremely dirty or bent. (☞ P.4-29)
- When cleaning the wiper, be careful that lint from the clean stick does not get left on the wiper. Remaining lint may cause image quality to deteriorate.

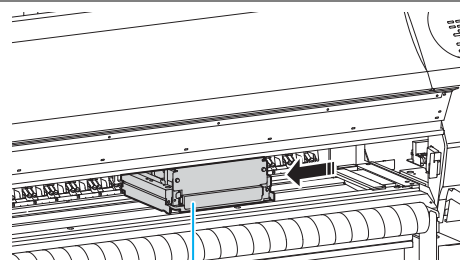
- 1** Press the **MAINT.** key in LOCAL.

CARRIAGE OUT
[ENT]
- 2** Press the **ENTER** key.

MOVE POSITION
: STATION MAINT.
- 3** Press **▲ ▼** to select [STATION MAINT.].

MOVE POSITION
: STATION MAINT.
- 4** Press the **ENTER** key.

 - The carriage moves onto the platen.



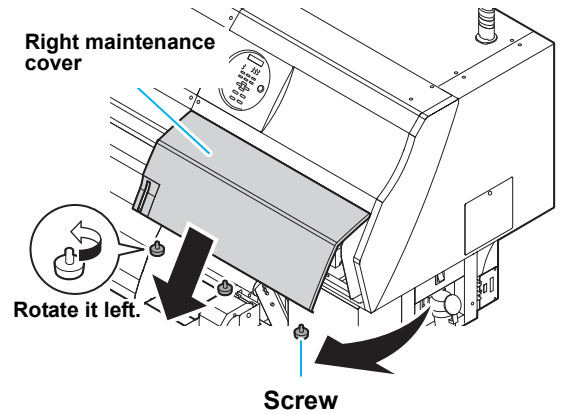
Carriage

5

Open the right maintenance cover.

- (1) Rotate the screws under the right maintenance cover (for three positions) to the left and remove them.
- (2) Hold the bottom of the right maintenance cover and pull it to the front.
- (3) While pulling the right maintenance cover downward, remove it.

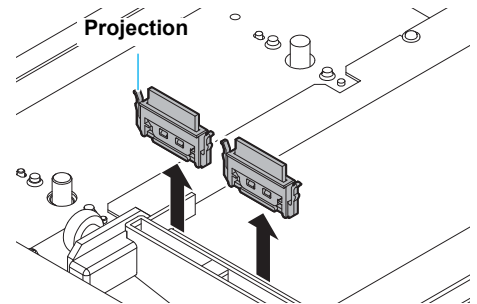
- If the right maintenance cover is hard to remove, use the supplied screwdriver.



6

Remove the wiper.

- Pull out the wiper by holding the protrusions at its both ends.



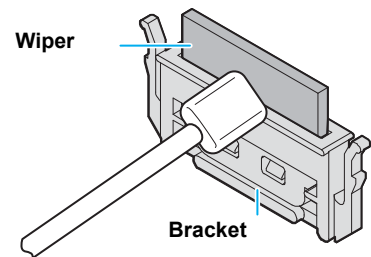
7

Clean the wiper and bracket.

- Wipe off the ink sticking to the wiper and bracket with a clean stick dipped in cleaning solution for maintenance. Wipe off so that cleaning solution for maintenance will not remain.

Important!

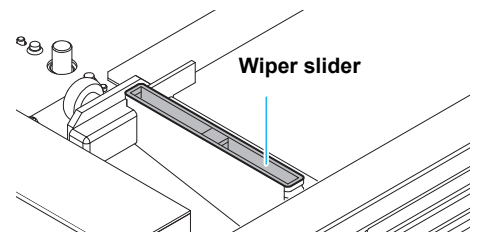
- Clean the wiper and bracket until it looks as shown in the photo on the right.
- After cleaning, make sure that the bracket and wiper are aligned horizontally.



8

Clean the wiper slider.

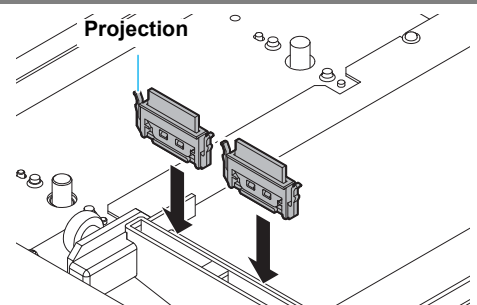
- Wipe off the ink sticking to the wiper slider with a clean stick dipped in cleaning solution for maintenance. Wipe off so that cleaning solution for maintenance will not remain.



9

Set the wiper at the original position.

- Insert the wiper by holding both ends of the wiper.

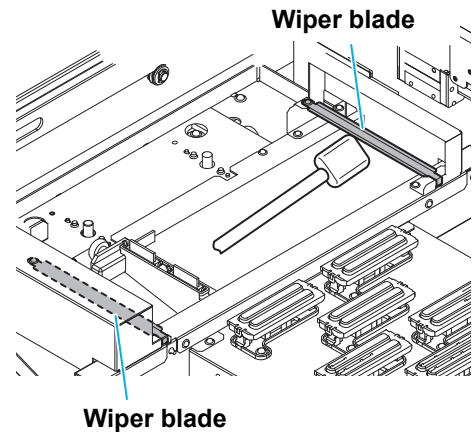
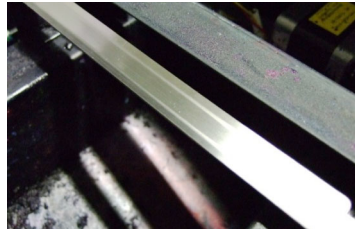


10 Clean the wiper blade.

- Soak the clean stick in the maintenance cleaning liquid, and then remove the ink that has adhered to the wiper blade.

Important!

- Make sure to be careful with the edge of the wiper blade, and thoroughly clean the side (back side) where the wiper touches.
- Clean the wiper blade until it looks as shown in the photo below.

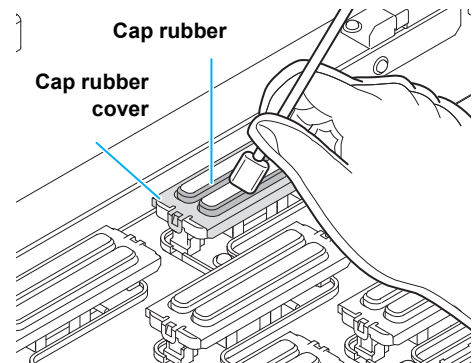
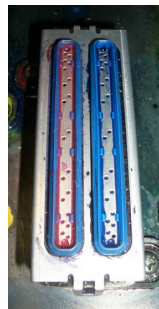


11 Clean the cap rubber and cap rubber cover.

- Wipe off the ink sticking to the cap rubber and cap rubber cover with a clean stick dipped in cleaning solution for maintenance. Wipe off so that cleaning solution for maintenance will not remain.

Important!

- Clean the wiper until it looks as shown in the photo on the right.
- Make sure that the cap rubber and mesh inside the cap have not come off after cleaning.



12 Press the **ENTER key after the cleaning.**

Close a cover
COMPLETED [ENT]

13 Close the right maintenance cover then press the **ENTER key.**

- After its initial operation, the machine returns to step1.

Performing the station maintenance without **MAINT. key**

You can select station maintenance by using the **FUNCTION** key in the Local without pressing the **MAINT.** key.

Press the **FUNCTION** key in Local.

➔

Press **▲ ▼** to select **[MAINTENANCE]**.

➔

Press the **ENTER** key twice.

- It becomes the same condition as the **MAINT.** key is pressed from Local.

Cleaning the wiper ink pan

Water-based ink does not flow easily. Ink dries, gets stuck, and accumulates. Use a rubber spatula or the like to frequently push the ink that piles up in the ink pan beneath the wiper towards the waste route.

1 Press the **MAINT.** key in LOCAL.

CARRIAGE OUT
[ENT]

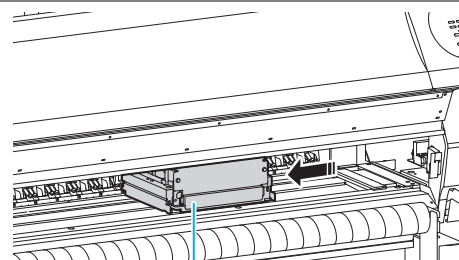
2 Press the **ENTER** key.

MOVE POSITION
: STATION MAINT.

3 Press **▲** **▼** to select [STATION MAINT.].

MOVE POSITION
: STATION MAINT.

4 Press the **ENTER** key.
• The carriage moves onto the platen.

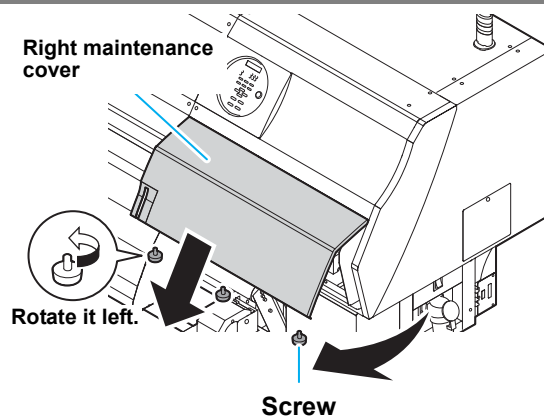


Carriage

5 Open the right maintenance cover.

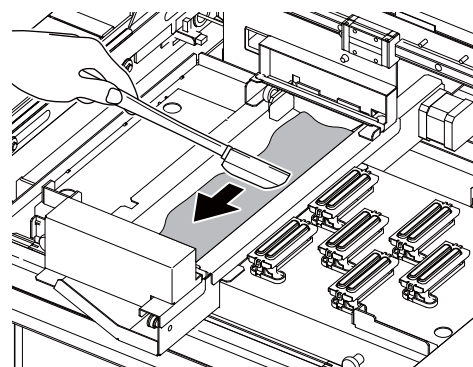
- (1) Rotate the screws under the right maintenance cover (for three positions) to the left and remove them.
- (2) Hold the bottom of the right maintenance cover and pull it to the front.
- (3) While pulling the right maintenance cover downward, remove it.

- If the right maintenance cover is hard to remove, use the supplied screwdriver.



6 Clean the wiper ink pan.

- Use a rubber spatula or the like to frequently push the ink that piles up in the ink pan Beneath the wiper towards the waste route.



7

Press the **ENTER** key after the cleaning.

Close a cover
COMPLETED [ENT]

8

Close the right maintenance cover then press the **ENTER** key.

- After its initial operation, the machine returns to step1.

Washing the Ink Discharge Passage (DISWAY WASH)

Wash the ink discharge passage regularly to prevent the head nozzles from clogging due to ink coagulation inside the passage.

1

Press the **MAINT.** key in LOCAL.

CARRIAGE OUT

[ENT]

2

Press **▲** **▼** to select [DISWAY WASH].

DISWAY WASH

[ENT]

3

Press the **ENTER** key.

- The carriage moves onto the platen.
- Dry suction operation is performed repeatedly until the washing work is completed.

DISWAY WASH

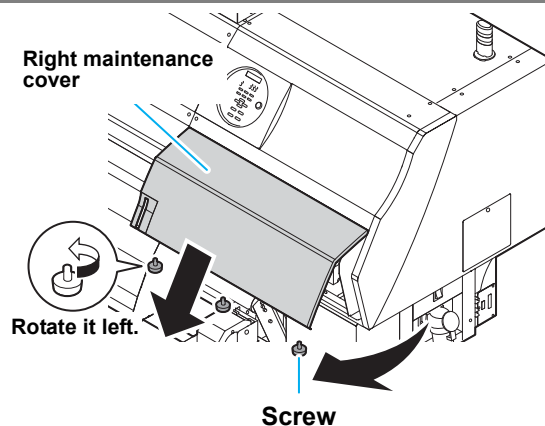
COMPLETED (NEXT) [ENT]

4

Open the right maintenance cover.

- (1) Rotate the screws under the right maintenance cover (for three positions) to the left and remove them.
- (2) Hold the bottom of the right maintenance cover and pull it to the front.
- (3) While pulling the right maintenance cover downward, remove it.

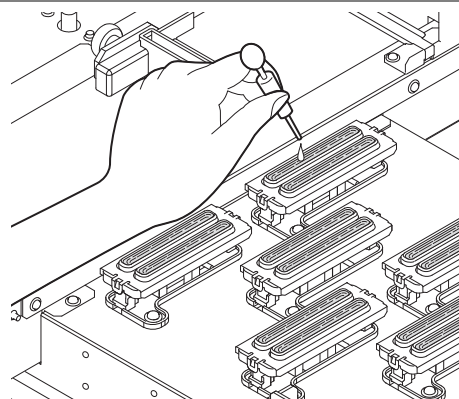
- If the right maintenance cover is hard to remove, use the supplied screwdriver.



5

Fill up the cap with cleaning solution for maintenance, using a dropper.

- Fill the cap with the cleaning solution just before the solution overflows from the cap.



6

Close the right maintenance cover and press the **ENTER** key.

- After the idle absorbing operation has been performed for 30 seconds, the screen returns to step2.

DISWAY WASH
PLEASE WAIT

When the Machine Is Not Used for a Long Time (CUSTODY WASH)

When the machine is not going to be used for a week or more, use the cleaning function for custody to clean the head nozzles and ink discharge passage. After this, keep the machine in custody.

<p>Check the items on the right beforehand.</p>	<p>Is [INK END] displayed?</p> <ul style="list-style-type: none"> • The ink is absorbed when the nozzles are washed. • At this time, if the state of "INK END" is detected, the nozzle washing operation cannot start. • Replace the ink bottle with another from which the state of "INK END" is not detected.
--	---

1 Press the **MAINT.** key in LOCAL.

CARRIAGE OUT [ENT]

2 Press **▲ ▼** to select **[CUSTODY WASH]**.

CUSTODY WASH [ENT]

3 Press the **ENTER** key.

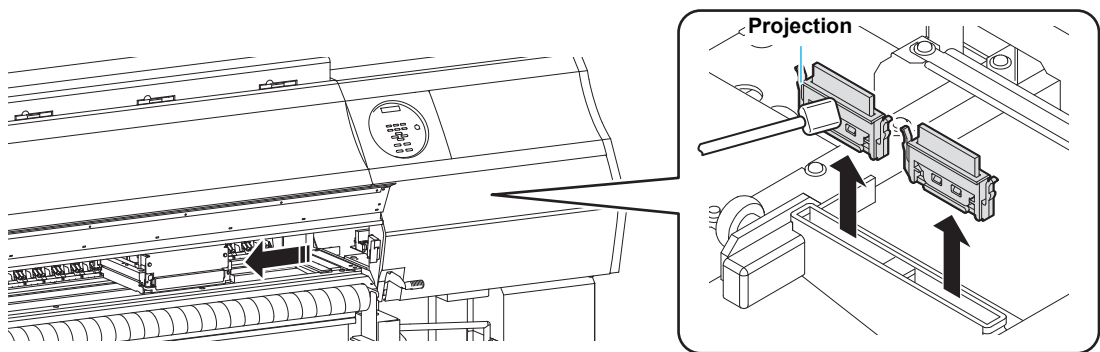
- The carriage moves onto the platen.

WIPER CLEANING COMPLETED (NEXT) [ENT]

Important! • Until wiper/ bracket cleaning is completed, [COMPLETED (NEXT): ENT] is displayed on the screen. After the work up to the step 4 is completed, press the **ENTER** key. If you press the **ENTER** key before cleaning is completed, the machine moves to the next washing procedure.

4 Clean the wiper and the bracket.

- (1) Open the right maintenance cover then pull out it by holding projections at both ends of the wiper.
- (2) Clean the wiper and bracket with a clean stick dipped in cleaning solution for maintenance (ML003-Z-K1). Wipe off so that cleaning solution for maintenance will not remain.
- (3) Insert it in the original position by holding the projections at both ends of the wiper.



5**Press the **ENTER** key.**

- The carriage moves onto the platen.

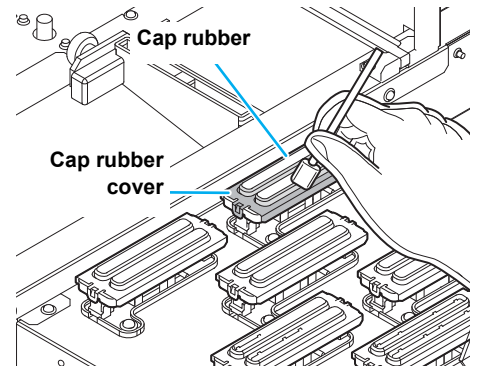
CAP CLEANING COMPLETED (NEXT) [ENT]
--

Important!

- Until wiper cleaning is completed, [COMPLETED (NEXT): ENT] is displayed on the screen. After the work up to the step 6 is completed, press the **ENTER** key. If you press the **ENTER** key before cleaning is completed, the machine moves to the next washing procedure.

6**Clean the cap rubber and cap rubber cover.**

- Wipe off the ink sticking to the cap rubber and cap rubber cover with a clean stick dipped in cleaning solution for maintenance. Wipe off so that cleaning solution for maintenance will not remain.
- At this time, the discharge passage is cleaned automatically.

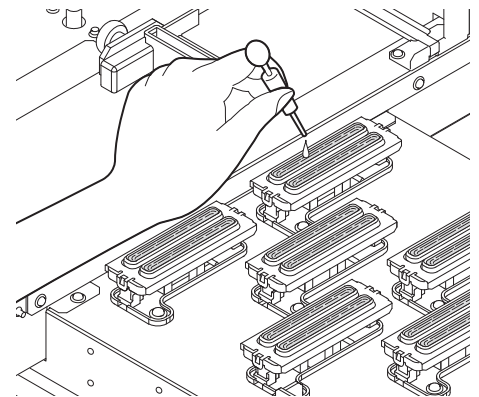
**7****Press the **ENTER** key.****Important!**

- Until washing liquid is filled, [COMPLETED (NEXT): ENT] is displayed on the screen. After the work up to the Step 8 is completed and you close the front cover, press the **ENTER** key. If you press the **ENTER** key before washing liquid is filled, the carriage returns to the original position.

Fill the liquid. COMPLETED (NEXT) [ENT]
--

8**Fill up the cap with cleaning solution for maintenance, using a dropper.**

- Fill the cap with the cleaning solution just before the solution overflows from the cap.

**9****Close the right maintenance cover and press the **ENTER** key.**

LEAVING TIME =	1min
-------------------	------

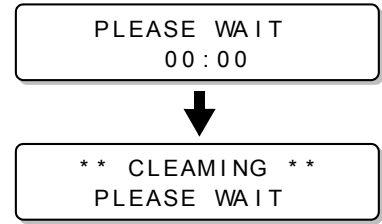
10**Press **▲** **▼** to set the time for the cleaning solution to be left as it is.**

- Set Value: 1 to 99 min (by the unit of 1 min)

LEAVING TIME =	2min
-------------------	------

11 Press the **ENTER** key.

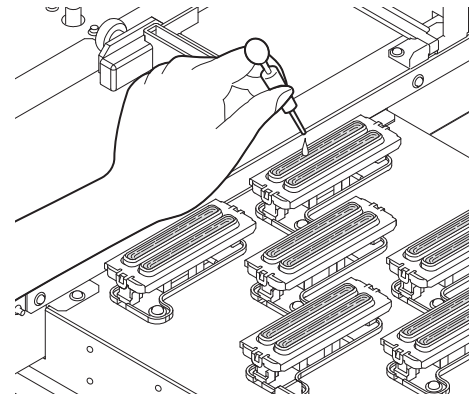
- The nozzles are washed.
- When the nozzles have been completely washed, the head moves onto the platen.



12 Open the right maintenance cover.

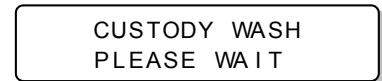
13 Fill up the cap with cleaning solution for maintenance, using a dropper.

- Fill the cap with the cleaning solution just before the solution overflows from the cap.



14 Close the right maintenance cover and press the **ENTER** key.

- After its initial operation, the machine returns to step2.



Cleaning the Head and the Area around It

Because the head employs a very precise mechanism, due care needs to be taken when it is cleaned. Using a clean stick, etc., rub off gelatinous ink or dust that may stick to the lower part of the slider and the area around the head. In doing so, never rub the nozzles of the head.

Tools required for cleaning	• Clean stick (SPC-0527)	• Gloves	• Goggles
------------------------------------	--------------------------	----------	-----------



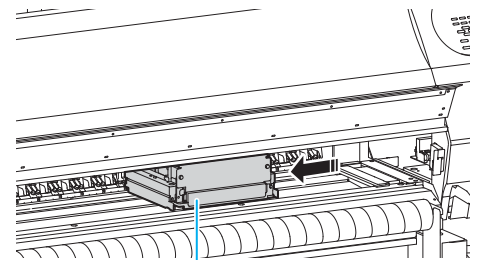
- Be sure to wear the attached goggles and gloves when cleaning the area around the head. Otherwise, you may get ink in your eyes.
- If you get the ink on your skin or in your eyes, wash it away with plenty of water immediately.
- Clean the bottom of carriage every day so that it will not get dirt from inks or dusts. If you leave it dirty, dust and dry ink may be rubbed against the nozzle at wiping operation when performing head cleaning.
- When you clean the carriage bottom surface, fully be careful not to rub the nozzle surface.

1 Press the **MAINT.** key in **LOCAL**. CARRIAGE OUT
[ENT]

2 Press the **ENTER** key. MOVE POSITION
: STATION MAINT.

3 Press **▲ ▼** to select **[HEAD MAINT.]**. MOVE POSITION
: HEAD MAINT.

4 Press the **ENTER** key.
• Carriage will move to the left end of this device.

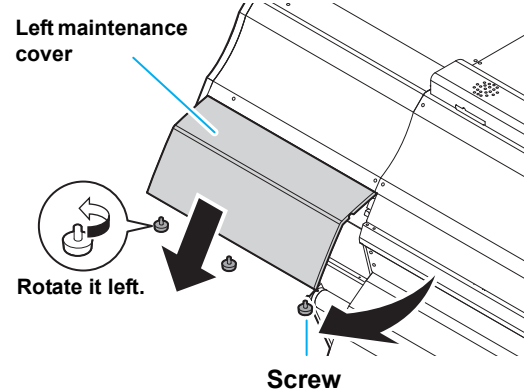


Carriage

5 **Open the left maintenance cover.**

- (1) Rotate the screws under the left maintenance cover (for three positions) to the left and remove them.
- (2) Hold the bottom of the left maintenance cover and pull it to the front.
- (3) While pulling the left maintenance cover downward, remove it.

• If the left maintenance cover is hard to remove, use the supplied screwdriver.

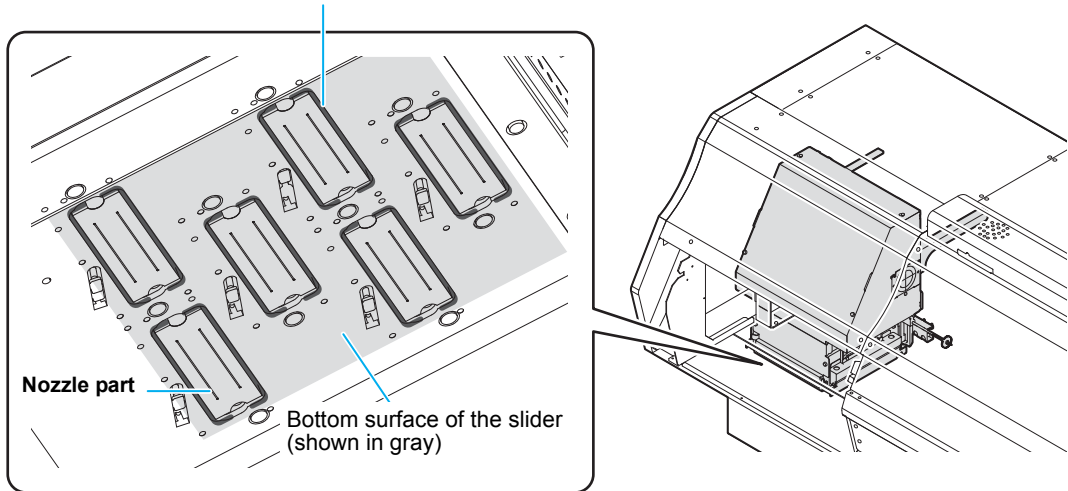


6

Soak the clean stick or the waste cloth in the maintenance cleaning liquid and wipe off an accumulated ink on the side of the head and on the bottom surface of the slider.

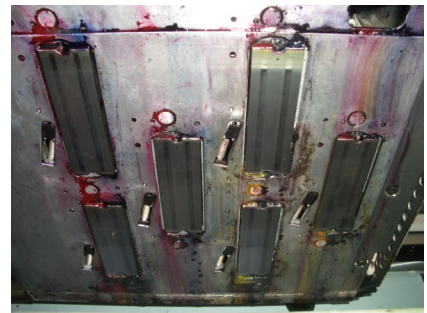
- Do not touch the nozzle surface, because the cleaning will be performed in the step 7.

Side surface of the head (shown in deep gray)



Important!

- Clean the wiper until it looks as shown in the photo on the right.



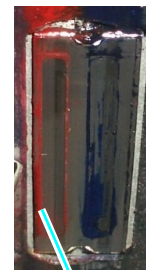
7

Soak the COTTON CIEGAL® in the maintenance cleaning liquid and wipe off the mark of the cap rubber attached on the nozzle surface from the rear side to the front side.

COTTON CIEGAL®



[Before cleaning]



[After cleaning]



Mark of the cap

Important!

- Immerse much enough so that maintenance liquid may drip from it.
- Do not wipe the nozzle surface with dry COTTON CIEGAL®.
- If COTTON CIEGAL® has fluffed, replace it.
- If ink solid adheres to COTTON CIEGAL®, change the surface to use for cleaning or replace it.

8

Press the **ENTER** key after the cleaning.

- Close the left maintenance cover then press the **ENTER** key.

Close a cover
COMPLETED [ENT]

When Nozzle Clogging Cannot Be Solved

When nozzle clogging cannot be solved even after the head cleaning (☞ P.2-33) has been done, perform the following two functions:

NOZZLE WASH	• Wash the head nozzle. (☞ P.4-20)
NOZZLE RECOVERY	• Alternative nozzles for printing, when nozzles missing can not be improved. (☞ P.4-22)

Washing of Head nozzle

Perform cleaning of the nozzles in the heads to prevent them being clogged with coagulated ink.

Check the items on the right beforehand.	<p>Is [INK END] displayed?</p> <ul style="list-style-type: none"> • The ink is absorbed when the nozzles are washed. At this time, if the state of "INK END" is detected, the nozzle washing operation cannot start. • Replace the ink bottle with new one for which ink end has not been detected.
---	--

1 Press the **MAINT.** key in LOCAL.

CARRIAGE OUT [ENT]

2 Press **▲ ▼** to select **[NOZZLE WASH]**.

NOZZLE WASH [ENT]

3 Press the **ENTER** key.

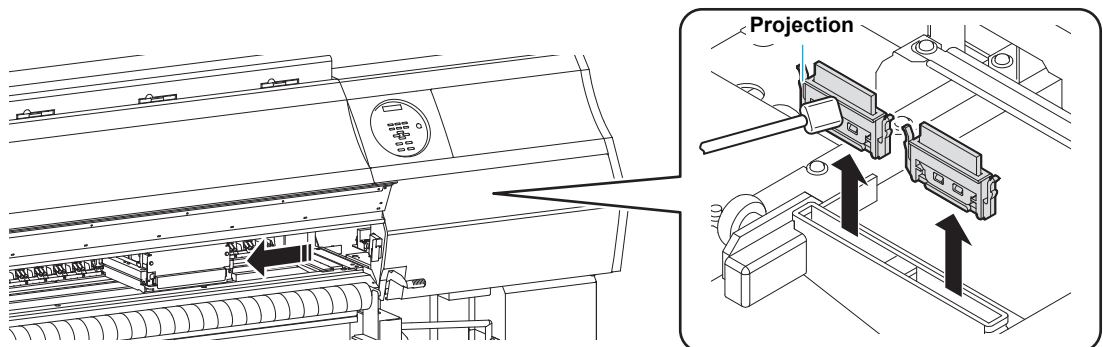
- The carriage moves onto the platen.

WIPER CLEANING COMPLETED(NEXT) [ENT]

Important! • Until wiper cleaning is completed, [COMPLETED (NEXT): ENT] is displayed on the screen. After the work up to the step 4 is completed, press the **ENTER** key. If you press the **ENTER** key before cleaning is completed, the machine moves to the next washing procedure.

4 Clean the wiper and the bracket.

- (1) Open the right maintenance cover then pull out it by holding projections at both ends of the wiper.
- (2) Clean the wiper and bracket with a clean stick dipped in cleaning solution for maintenance. (ML003-Z-K1) Wipe off so that cleaning solution for maintenance will not remain.
- (3) Insert it in the original position by holding the projections at both ends of the wiper.



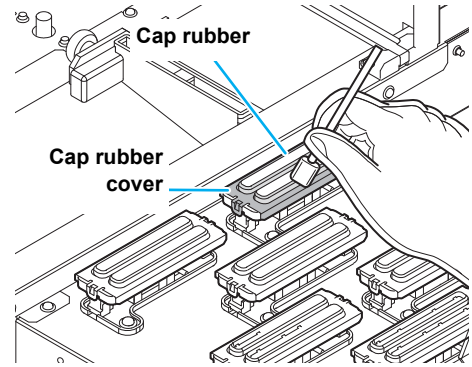
5 Press the **ENTER** key.

CAP CLEANING COMPLETED(NEXT) [ENT]

Important! • Until wiper cleaning is completed, [COMPLETED (NEXT): ENT] is displayed on the screen. After the work up to the step 6 is completed, press the **ENTER** key. If you press the **ENTER** key before cleaning is completed, the machine moves to the next washing procedure.

6 Clean the cap rubber and cap rubber cover.

- Wipe off the ink sticking to the cap rubber and cap rubber cover with a clean stick dipped in cleaning solution for maintenance. Wipe off so that cleaning solution for maintenance will not remain.
- At this time, the discharge passage is cleaned automatically.



7 Press the **ENTER** key.

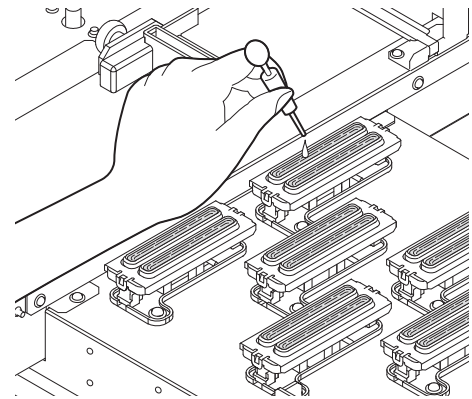
Fill the liquid.
COMPLETED (NEXT) [ENT]

Important!

- Until washing liquid is filled, [COMPLETED (NEXT): ENT] is displayed on the screen. After the work up to the Step 8 is completed and you close the front cover, press the **ENTER** key. If you press the **ENTER** key before washing liquid is filled, the carriage returns to the original position.

8 Fill up the cap with cleaning solution for maintenance, using a dropper.

- Fill the cap with the cleaning solution just before the solution overflows from the cap.



9 Close the right maintenance cover then press the **ENTER** key.

LEAVING TIME
= 1min

10 Press **▲** **▼** to set the time for the cleaning solution to be left as it is.

- Set value : 1 to 15 minutes (Unit: minute)

LEAVING TIME
= 2min

11 Press the **ENTER** key.

- The cleaning solution filled in the cap is absorbed.
- The screen on the right is displayed only for the duration set in the step 10.
- It returns to the step2 after the duration.

PLEASE WAIT
00:00

** CLEAMING **
PLEASE WAIT

Important!

- When nozzle missing is not cleared even after this washing is carried out several times, contact the distributor in your region or our service office.

Alternative nozzles for printing, when nozzles missing can not be improved

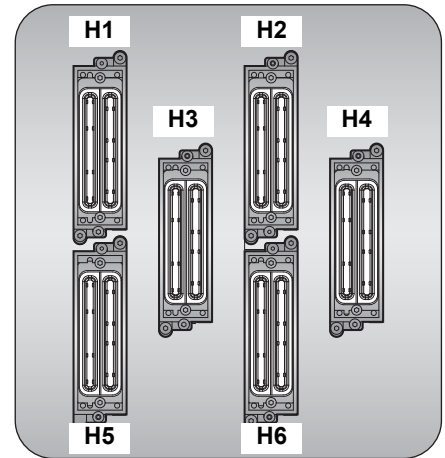
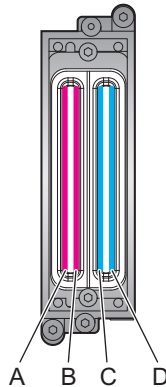
NOZZLE RECOVERY: When nozzles missing can not be improved at specific points, other good nozzles can be used as alternatives for printing.

The head of this machine consists as the right figure. You can set the recovery by specifying the nozzle line each for the H1-2 (Head 1-2), the H3-4 (Head 3-4) and the H5-6 (Head 5-6).



About nozzle line

- This machine is equipped with four nozzle lines (Line A, Line B, Line C and Line D) for one head.



1

Select **[NOZZLE RECOVERY]** of the maintenance menu.

- Press the **[FUNCTION]** key in LOCAL.
- Press **[▲]** **[▼]** to select **[MAINTENANCE]** and press the **[ENTER]** key.
- Press **[▲]** **[▼]** to select **[NOZZLE RECOVERY]**.
- Press the **[ENTER]** key.

2

Press **[▲]** **[▼]** to select **[PRINT]** and press the **[ENTER]** key.

NOZZLE RECOVERY
: PRINT



SELECT HEAD
: H1 - 2

3

Press **[▲]** **[▼]** to select the head (H1-2/ H3-4/ H5-6) for which you perform nozzle recovery.

SELECT HEAD
: H3 - 4

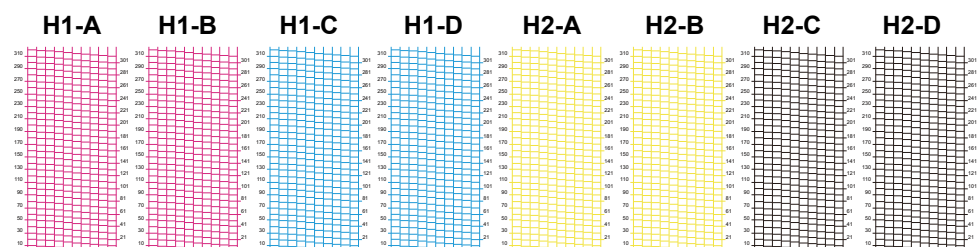
4

Press the **[ENTER]** key twice.

- The nozzle pattern of selected unit is printed.
- When you select "ENTRY" in the Step 2, the machine moves to the nozzle line selection procedures (Step 5) without printing a nozzle pattern.

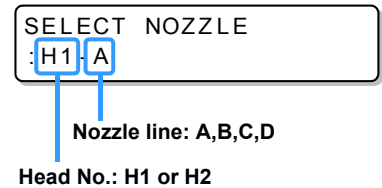
** PRINTING **
PLEASE WAIT

Nozzle pattern when selecting H1-2



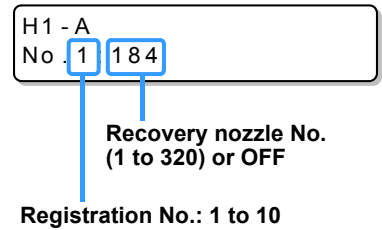
5

Press **▲** **▼** to select the Nozzle line that needs **NOZZLE RECOVERY** and press the **ENTER** key.



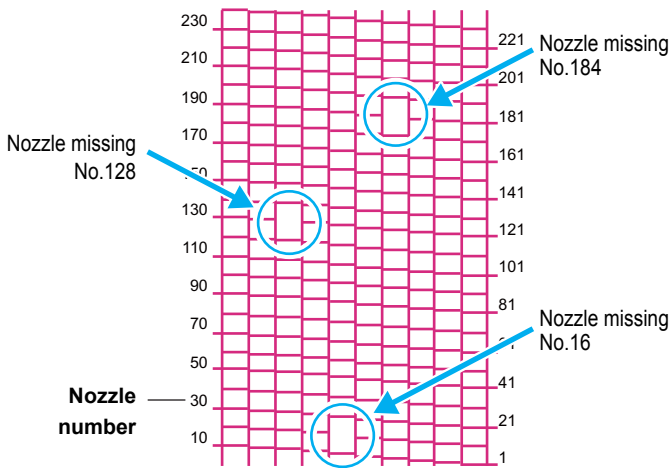
6

Register the Nozzle number that needs **NOZZLE RECOVERY** and press the **ENTER** key.



- (1) Select the registration number from 1 to 10 by pressing **▲** **▼** and press the **ENTER** key.
- (2) Register the nozzle number that needs recovery by pressing **▲** **▼** and press the **ENTER** key.
 - If the registered nozzle cannot be recovered, the screen of the Step 3 in P.4-24 “Check the print condition for which nozzle recovery cannot be performed” is displayed.

Example of nozzle to be recovered



Registration number	Recovery Nozzle No.	State
1	16	Target for nozzle recovery
2	128	Target for nozzle recovery
3	184	Target for nozzle recovery
4	OFF	No registration
5	OFF	No registration

7

Press the **END** key several times to end the setting.

Important!

- Up to 10 nozzles can be registered per 1 nozzle line.
- Even if you use this function, time required for drawing does not change.
- For the lowest number of paths of the drawing mode, the **NOZZLE RECOVERY** function is invalid.
- Even if you register the **NOZZLE RECOVERY**, the pattern of test print etc. is not recovered.

Check the print condition for which nozzle recovery cannot be performed

Depending on the registered nozzle, there is a mode on which recovery is not reflected. Check the print condition for which recovery cannot be performed.



- When there are many registered nozzles, it takes much time to display the checked result.

1

Select [NOZZLE RECOVERY] of the maintenance menu.

- (1) Press the **FUNCTION** key in LOCAL.
- (2) Press **▲** **▼** to select [MAINTENANCE] and press the **ENTER** key.
- (3) Press **▲** **▼** to select [NOZZLE RECOVERY].
- (4) Press the **ENTER** key.

2

Press **▲** **▼** to select [CHECK].

NOZZLE RECOVERY
: CHECK

3

Press the **ENTER** key.

- The mode for which nozzle recovery is invalid is displayed.
- If there is no mode for which nozzle recovery is invalid, "NONE" is displayed.

UNRECOVERABLE COND.
: 600x 900 6p H

Resolution
Scanning speed
Number of passes

4

Press **END** the key several times to end the setting.

Clear the set value

1 Select [NOZZLE RECOVERY] of the maintenance menu.

- (1) Press the **FUNCTION** key in LOCAL.
- (2) Press **▲** **▼** to select [MAINTENANCE] and press the **ENTER** key.
- (3) Press **▲** **▼** to select [NOZZLE RECOVERY].
- (4) Press the **ENTER** key.

2 Press **▲** **▼** to select [RESET] and press the **ENTER** key.

```
NOZZLE RECOVERY
:RESET
```



```
SELECT HEAD
:H1 - 2
```

3 Press **▲** **▼** to select the head (H1-2/ H3-4/ H5-6) for which you reset nozzle recovery.

```
SELECT HEAD
:H3 - 4
```

4 Press the **ENTER** key.

```
SELECT RESET NOZZLE
:H1 - A
```

5 Press **▲** **▼** to select the Nozzle line that needs reset the setting value and press the **ENTER** key.

```
SELECT RESET NOZZLE
:H1 - A
```



```
H1 - A RESET?
EXECUTE [ENT]
```

6 Press the **ENTER** key.

7 Press the **END** key several times to end the setting.

Automatic Maintenance Function

To use this machine comfortably, you can set various maintenances to be performed automatically.

Here, set performing intervals of various automatic maintenances.

You can prevent troubles such as ink clogging by performing automatic maintenance periodically (automatic maintenance function).

For the auto maintenance functions, the following items can be set:

Important!

- When you perform maintenance manually, after manual maintenance is completed and when time set with the automatic maintenance function has passed, maintenance starts automatically.

Function name	Descriptions
REFRESH	The interval between each refreshing operation is set.
CLEANING	The interval between each cleaning operation is set.

Important!

- During the right message is displayed, the operation set in the auto maintenance function is not carried out. Perform the operations of P.4-30 if required.
- When the power button on the front of the machine is turned off, check the waste ink tank.

<LOCAL>
Waste ink full

Setting the Refreshing Intervals

The interval between each operation of ejecting a small amount of ink from the nozzles to prevent nozzle clogging is set.

1

Select **[AUTO MAINT.]** of the maintenance menu.

- (1) Press the **[FUNCTION]** key in LOCAL.
- (2) Press **[▲]** **[▼]** to select **[MAINTENANCE]** and press the **[ENTER]** key.
- (3) Press **[▲]** **[▼]** to select **[AUTO MAINT.]**.

2

Press the **[ENTER]** key.

AUTO MAINT .
REFRESH [ENT]

3

Press the **[ENTER]** key.

REFRESH
: Lv . 1

4

Press **[▲]** **[▼]** to set the refreshing interval.

- Set value : OFF, Lv.1, Lv.2, Lv.3
- As the LEVEL increases, the interval between each operation gets shorter.

REFRESH .
: Lv . 1

5

Press the **[ENTER]** key.

AUTO MAINT .
REFRESH [ENT]

6

Press **[END]** the key several times to end the setting.

Setting the Cleaning Intervals

The cleaning type and the interval between each cleaning operation are set.

1

Select [AUTO MAINT.] of the maintenance menu.

- (1) Press the **FUNCTION** key in LOCAL.
- (2) Press **▲** **▼** to select [MAINTENANCE] and press the **ENTER** key.
- (3) Press **▲** **▼** to select [AUTO MAINT.].
- (4) Press the **ENTER** key.

2

Press **▲** **▼** to select [CLEANING].

AUTO MAINT.
CLEANING [ENT]

3

Press the **ENTER** key.

CLEANING
: Lv. 1

4

Press **▲** **▼** to set the interval between each cleaning operation.

CLEANING
: Lv. 1

- Set value : OFF, Lv.1, Lv.2, Lv.3
- As the LEVEL increases, the interval between each operation gets shorter.

5

Press the **ENTER** key.

- When you set other than "OFF" in the Step 4, the cleaning type selection screen is displayed.

TYPE
: NORMAL

6

Press **▲** **▼** to select a cleaning type.

- Set value : NORMAL, SOFT, HARD

TYPE
: SOFT

7

Press the **ENTER** key.

AUTO MAINT.
CLEANING [ENT]

8

Press the **END** key several times to end the setting.

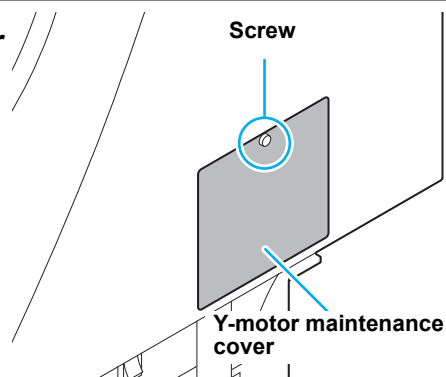
4

Cleaning Y motor

When the warning message [Y motor cleaning] is displayed, clean the Y motor with the procedures below:

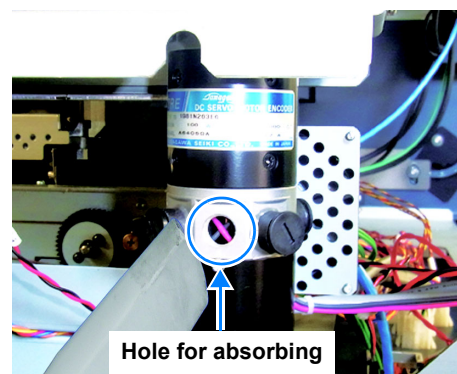
1 Turn off the power supply, and open the Y-motor maintenance cover.

- Remove the screw of the Y-motor maintenance cover, and open the cover.



2 Open the cover for absorbing abrasion powder, and absorb abrasion powder accumulating in the hole for absorbing abrasion powder with a vacuum.

- Using a flat-blade screwdriver, open the cover.



3 Return the cover for absorbing abrasion powder to the original status, and turn on the power supply.

- Warning message [Y motor cleaning] is displayed on the screen.

4 Press the **MAINT.** key and clear the warning message.

- The machine returns to LOCAL.

Replacing consumables

Replacing the wiper

The wiper is consumable. When the display indicates that it is necessary to replace the wiper, immediately replace the wiper with a new one. Also, wipe ink sticking to the lower surface of the slider off.

<LOCAL>
Replace a WIPER[MNT]

Important!

- A cleaning wiper (SPA-0193) is an option. Buy one through the dealer in your region or at our service office.

1

When the message is displayed, press the **MAINT.** key.

REPLACE WIPER
EXECUTE [ENT]

2

Press the **ENTER** key.

- The carriage moves onto the platen.

REPLACE WIPER
COMPLETED [ENT]

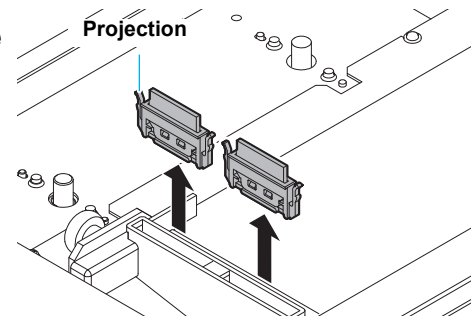
Important!

- Until the replacement work is completed, [COMPLETED: ent] is displayed on the screen. After the work up to the Step 3 is completed and you close the right maintenance cover, press the **ENTER** key.

3

Open the right maintenance cover then remove the wiper.

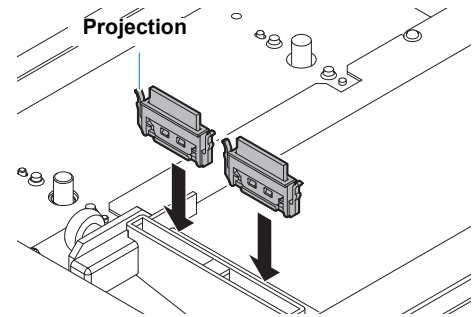
- Pull out the wiper by holding the protrusions at its both ends.



4

Insert a new wiper.

- Insert a new wiper by holding its both ends.



5

Close the right maintenance cover and press the **ENTER** key.

- After its initial operation, the machine returns to LOCAL.

Being Initialized
PLEASE WAIT

4

Routine Maintenance

If a Waste Ink Tank Confirmation Message Appears

Ink used in head cleaning, etc. is stored in the waste ink tank on the lower right side of the machine. The sensor monitors the discharged amount of ink in this machine. When that reaches a specified amount, the machine displays a confirmation message. (When this message is displayed, consider the replacement of the waste ink tank.)

Confirmation Message in LOCAL

1 The message on the right is displayed.

<LOCAL>
Waste ink near full

or

<LOCAL>
Waste ink full

or

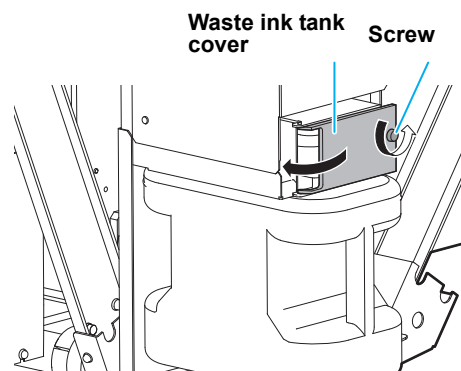
<LOCAL>
Waste ink tank none

2 Check the state of the waste ink tank

Replace the waste ink tank with another

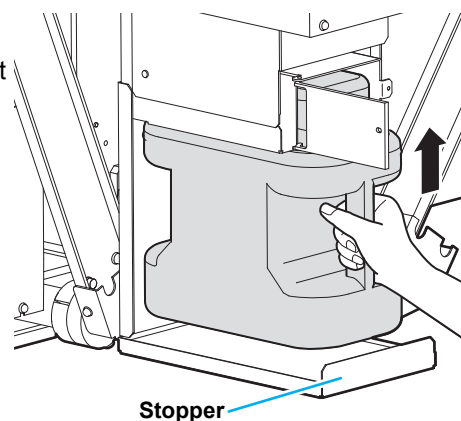
1 Open the waste ink tank cover.

- Remove the screw attaching to the waste ink tank cover and open the cover to the front.



2 Lift the waste ink tank a little.

- Lift the waste ink tank up to the position where it does not hit the stopper.

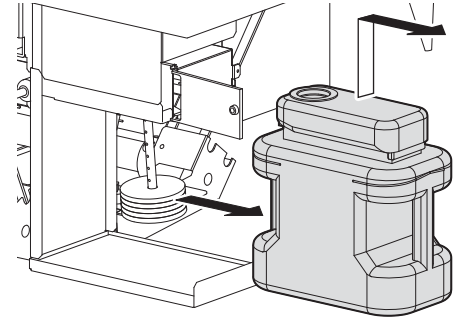
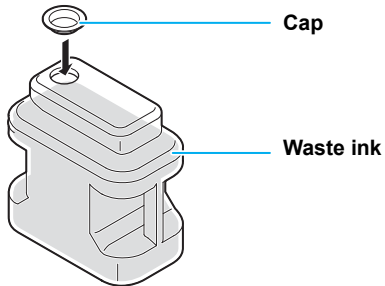


3

Take out the waste ink tank.

- (1) Hold the handle of the waste ink tank and pull it out to the front.
- (2) Raise the waste ink tank and take it out.

- Put a cap on the waste ink tank removed.



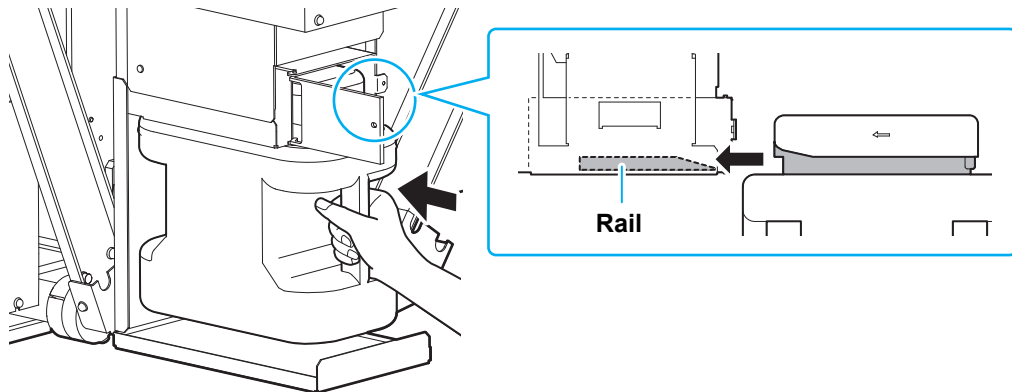
4

Replace the waste ink tank.

- (1) Prepare a new waste ink tank (SPC-0197).
- (2) Hold the handle of the waste ink tank and insert it along the rail.
- (3) Raise the waste ink tank.



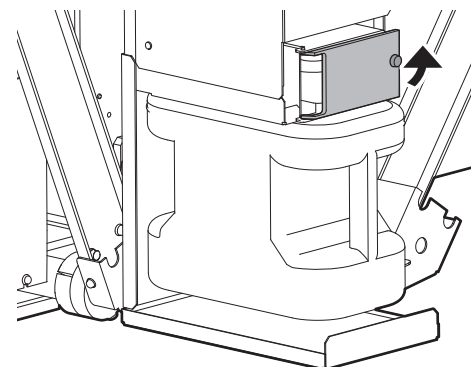
- Waste ink is equivalent to waste oil or industrial waste. Request an industrial waste disposal company for disposal of waste ink.



5

Close the waste ink tank cover.

- When the machine recognizes the new waste ink tank, the warning message is released.



Chapter 5

Troubleshooting



This chapter

describes the corrective measures to be taken for a phenomenon suspected to be trouble and the procedures to clear the error number displayed on the LCD.

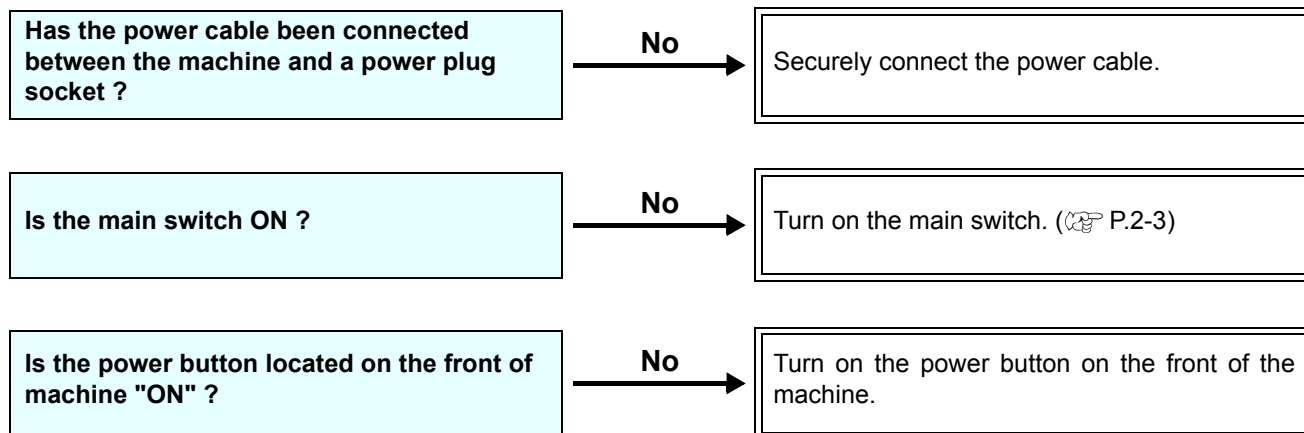
Troubleshooting	5-2
Power does not turn on	5-2
The machine does not start printing	5-2
Media get jammed / media is soiled	5-3
[HEAT] or [CONSTANT] LED does not light up	5-3
Image quality is poor	5-4
Nozzle is clogged	5-4
Ink bottle warning appears	5-5
If an error related to the sub tank occurs (Error 618 to 61b)	5-6
If nozzle missing due to color mixture of ink or aeration	5-7
If negative pressure abnormality occurs	5-9
If a head failure error is displayed	5-11
Warning / Error Messages	5-13
Warning messages	5-13
Error messages	5-17

Troubleshooting

Take appropriate actions as described below before taking the trouble as a failure.
If still the problem is not solved after troubleshooting, contact your dealer or an office of MIMAKI.

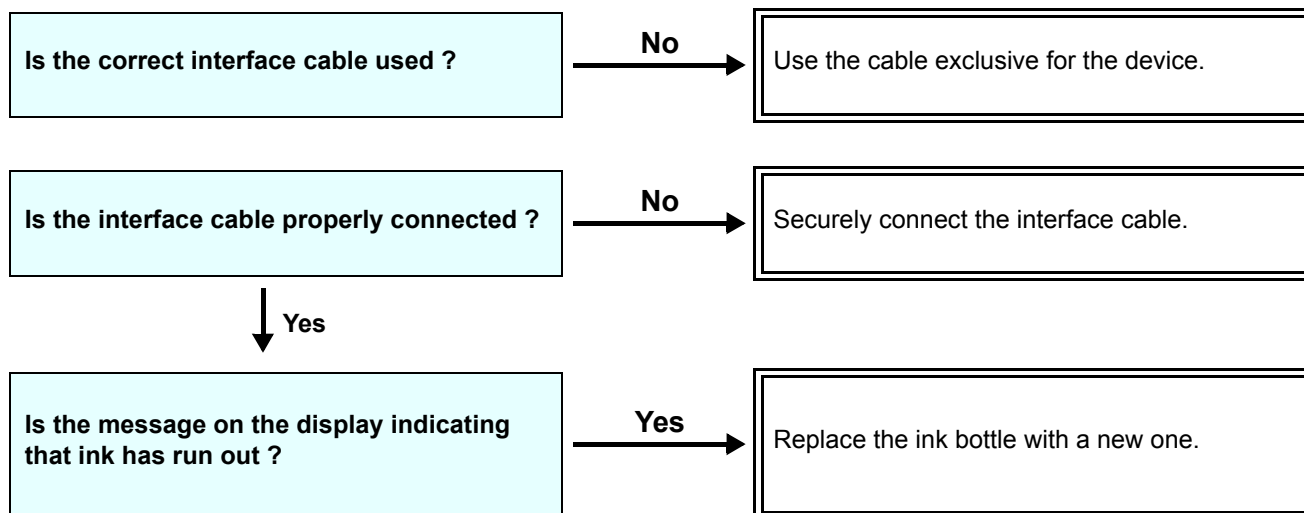
Power does not turn on

In most cases, this is due to improper connection of the power cable for the machine or computer. Check that the power cable is connected properly.



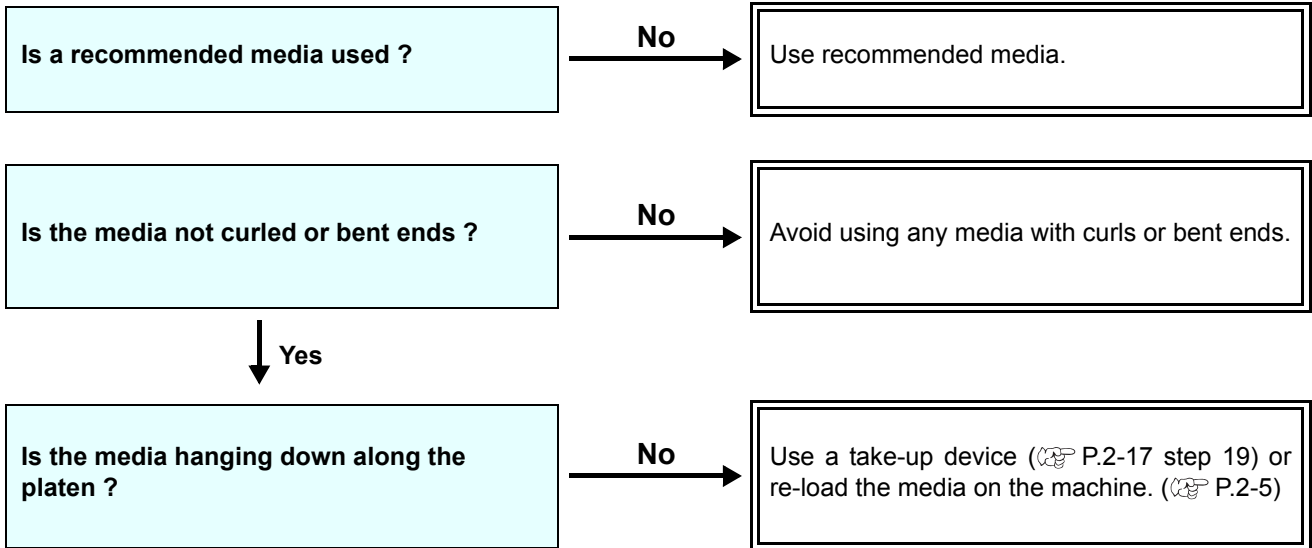
The machine does not start printing

This occurs when the data is not being transmitted to the machine properly.
It can also occur when the printing function does not work properly or the media is not set correctly.



Media get jammed / media is soiled

Media jamming or stained media is considered to be due to the use of an unsuitable media or improper setting of media.



[HEAT] or [CONSTANT] LED does not light up

Check the basic operation.

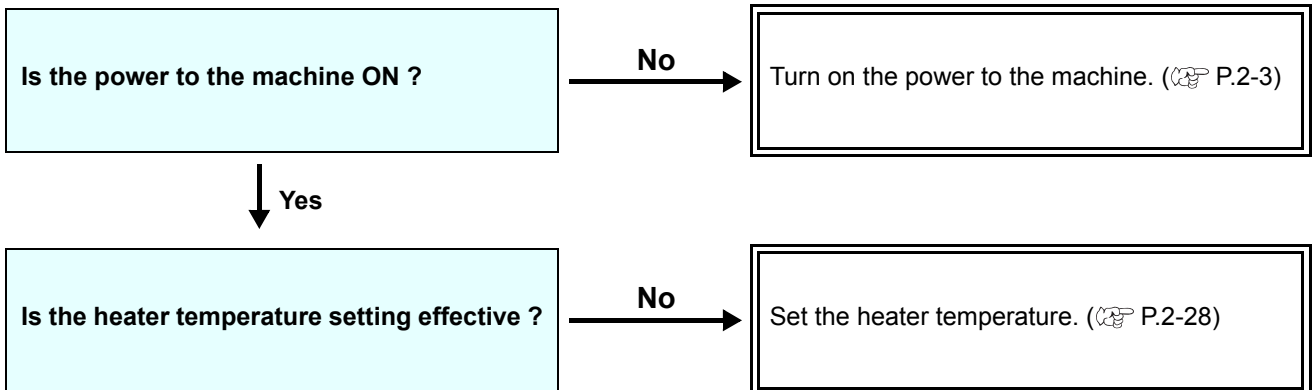


Image quality is poor

This section describes the corrective actions to be taken in case the image quality is not satisfactory. Take remedy for particular problems with image quality. If the remedy does not work, contact your dealer or an office of MIMAKI.

Phenomenon	Measures
White lines / blur / dark stripes (in the direction of travel of the heads)	<ol style="list-style-type: none"> (1) Execute the head cleaning. (☞ P.2-33) (2) Perform maintenance of the inside of the station. (☞ P.4-9) (3) Execute the [MEDIA COMP.] function. (☞ P.2-34) (4) If any pieces of paper or dust is attached on the path of the heads such as media press, remove it.
Characters are double- or triple-printed in the media feed direction	<ol style="list-style-type: none"> (1) Execute the [MEDIA COMP.] function. (☞ P.2-34)
Disagreement in print positions between outward trip and homeward trip	<ol style="list-style-type: none"> (1) Execute the [DROP POSITION] function. (☞ P.2-38)
Ink drops falling on media during printing	<ol style="list-style-type: none"> (1) Execute the wiper cleaning. (☞ P.4-15) (2) Execute the ink cap cleaning. (☞ P.4-9) (3) Clean around the head. (☞ P.4-18) (4) Execute the head cleaning [NORMAL]. (☞ P.2-33) (5) Set a shorter interval of INTERVAL WIPING operation. (☞ P.3-11)

Nozzle is clogged

When nozzle clogging is not dissolved even after the head cleaning referring to P.2-33, make sure the following operations.

- Wash the head nozzle by the operations of P.4-20.
- Recovery the nozzle by the operations of P.4-22.

Ink bottle warning appears

If an ink bottle trouble is detected, the bottle LED “red” is lit, and a warning message appears. None of printing, cleaning and all the other operations that use ink is available.

If an abnormality occurs, perform the following procedures:

- Check that the IC chip in the ink cover is correctly set.
- Replace the ink bottle in question immediately.

Important!

- Once ink bottle trouble is displayed, do not leave the ink bottle without replacing it for a long time; otherwise, the machine will lose the nozzle clogging prevention function. If nozzles are clogged, the machine must be repaired by MIMAKI's service engineer.

Displaying the description of ink bottle trouble

The contents of ink bottle error are confirmable by the following operations.

1

Press the **ENTER** key in **LOCAL**.

Sb300	12345678
REMAIN	34567899

2

Press the **ENTER** key.

NON INK IC
12345678

- When multiple bottle defects occur and if you press the **ENTER** key or **◀ ▶**, they are displayed by turns.

If an error related to the sub tank occurs (Error 618 to 61b)

The Error 618 to 61b are related to the sub tank.

Execute following procedures when an error about sub tank occurs, or when the nozzle is not unclogged after cleaning.

1 Select [SUB TANK] of the maintenance menu.

- (1) Press the **FUNCTION** key in LOCAL.
- (2) Press **▲** **▼** to select [MAINTENANCE] and press the **ENTER** key.
- (3) Press **▲** **▼** to select [SUB TANK].

2 Press the **ENTER** key.

SELECT SUBTANK
: 12345678

3 Press **▲** **▼** **◀** **▶** and select a sub tank to be maintained.

SELECT SUBTANK
: 1234_678

- **◀** **▶** : Select a sub tank.
- **▲** **▼** : Select whether you perform maintenance or not.
- If Error 61b occurs, an appropriate head is selected. Press **ENTER** key.

4 Press the **ENTER** key.

SUB TANK
EXECUTE [ENT]

5 Press the **ENTER** key.

- The automatic discharging operation and the filling operation are performed.

** FILL UP **
PLEASE WAIT

- Then, cleaning is performed.

** CLEANING **
PLEASE WAIT

6 Press **END** the key several times to end the setting.

If nozzle missing due to color mixture of ink or aeration

If nozzle missing occurs due to color mixture of ink in the head or aeration, push ink or air in the head out from the port.

Important!

- While performing the work below, ink may leak from the cap part. Using a waste cloth etc., prevent ink stain on the valve part.

1

Select [AIR PG] of the maintenance menu.

- (1) Press the **FUNCTION** key in LOCAL.
- (2) Press **▲** **▼** to select [MAINTENANCE] and press the **ENTER** key.
- (3) Press **▲** **▼** to select [AIR PG].

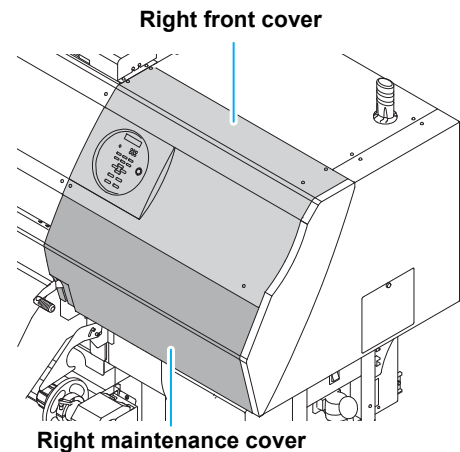
2

Press the **ENTER** key.

PREPARE AIR PG
COMPLETED [ENT]

3

Remove the right front cover and the right maintenance cover, and then remove head cover.



4

Press the **ENTER** key.

AIR PG
START [ENT]

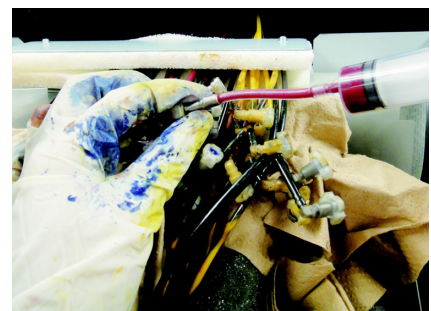
5

Discharge the ink from the valve of the Y-port.

- Insert the syringe into the valve of Y-port and then slowly withdraw about 10cc of the ink.

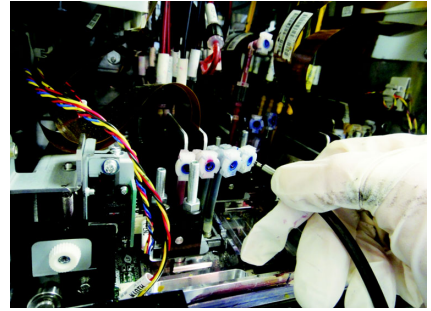
Important!

- Be careful not to spatter the ink around during the work.
- Mask the around valves properly with the waste cloth or adequate materials in order to protect the circuit board that is closely placed.

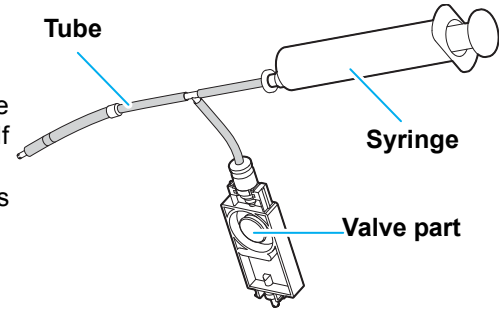


6**Set the syringe with pressure damper to the ink port valve.**

- Insert the syringe with pressure damper into the ink port valve and suck out ink of 5cc (at a speed of 3 sec. per cc) slowly.

**Important!**

- Do not push the valve part of the syringe with pressure damper. Otherwise, ink absorption cannot be performed.
- When discarding ink in the syringe, remove the syringe part from the tube and then discard it. If you remove the syringe part, ink in the tube may run down. Before performing the work, it is recommended to cover around it with a waste close etc. to prevent it from stained.

**7****Discharge ink or purge air.**

- The discharged ink or air is pooled in the bottle of the air purge jig.
- Discharge mixed ink or air completely. When it is discharged completely, clear ink (not mixed) is discharged.

8**Perform the procedures from 5 to 7 on all ports which have to be purged the air.****9****Press **ENTER** key after all procedures are completed.**

```
AIR PG
COMPLETED [ENT]
```

10**Terminate air purge by pressing the **ENTER** key.**

- Close the port.
- When some port is skipped the air-purge, press **▶** to return to the step 4.

```
AIR PG
END < > RETRY
```

11**Press **◀**.**

- Cleaning is performed.

```
** CLEANING **
PLEASE WAIT
```

12**Press **END** the key several times to end the setting.****Caution**

- Be aware that if you leave the device for a long time during the air purge, ink may leak from the cap section.
If the air purge continues for 20 minutes or longer, this device forcibly shuts down the air purge in order to prevent ink leaks.

If negative pressure abnormality occurs

By the environment or aging, the pressure controlled in this machine may exceed the control range. If an error related to pressure abnormality occurs, perform the procedures below:

- Important!** • If pressure abnormality occurs, immediately adjust the pressure with the following procedures and return it to the normal value.

1 Select [PRESSURE ADJUST] of the maintenance menu.

- (1) Press the **FUNCTION** key.
- (2) Press **▲** **▼** to select [MAINTENANCE] and press the **ENTER** key.
- (3) Press **▲** **▼** to select [PRESSURE ADJUST].

2 Press **▲** **▼** to select **POSITIVE** or **NEGATIVE**.

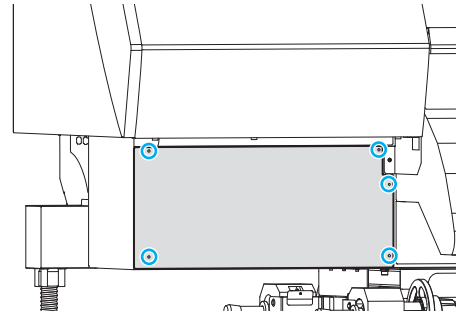
PRESSURE ADJUST
: NEGATIVE

3 Press the **ENTER** key.

Open Throttle Valve
COMPLETED [ENT]

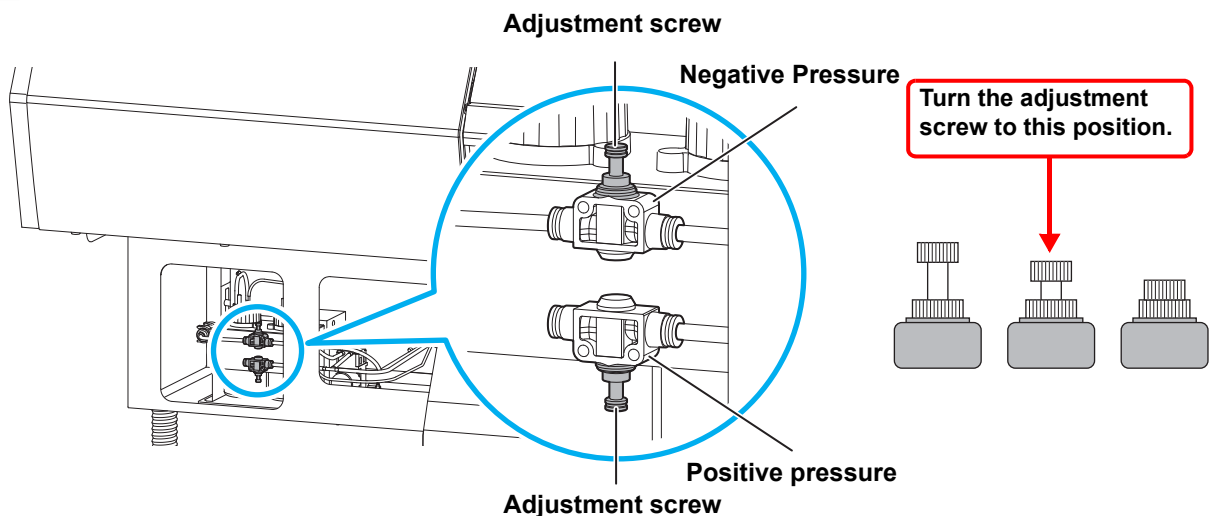
4 Remove the cover under the left maintenance cover.

- Remove the screws (for five positions) in the part indicated with circles in the figure.



5 Rotate the adjustment screw of the throttle valve to release it so that air can flow.

- Rotate it until the adjustment screw of the throttle valve comes to the middle position.



6

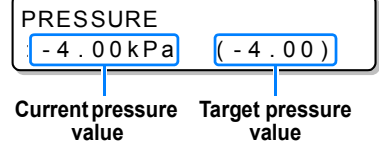
Press the **ENTER** key.

- Sensor adjustment starts.

** ADJUSTING **
PLEASE WAIT

7

Rotate the adjustment screw of the throttle valve to adjust the pressure so that it becomes the proper value.



- Proper value of negative pressure: -4.00kPa
Proper value of positive pressure: 15.00kPa
- As the negative pressure changes between ± 0.1 kPa, adjust so that the intermediate value may become the target pressure.

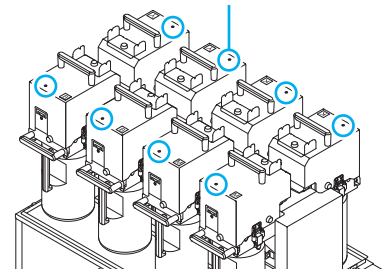


- Pressure is informed with the buzzer and the ink bottle lamp as well as the screen display.
- For the negative pressure, the buzzer stops within the range of ± 0.1 kPa. For the positive pressure, the buzzer stops within the range of ± 1.0 kPa.

- Status of lamp and buzzer for each pressure value

	Pressure		Ink bottle lamp	Buzzer
	Positive pressure	Negative pressure		
High	~ 8.49	~ -3.35	○○○○ ○○○●	Sounds
	8.50 ~ 9.49	-3.36 ~ -3.45	○○○○ ○○●●	
	9.50 ~ 10.49	-3.46 ~ -3.55	○○○○ ○○●●	
	10.50 ~ 11.49	-3.56 ~ -3.65	○○○○ ●●●●	
	11.50 ~ 12.49	-3.66 ~ -3.75	○○○○ ●●●●	
	12.50 ~ 13.49	-3.76 ~ -3.85	○○○○ ●●●●	
	13.50 ~ 13.49	-3.86 ~ -3.95	○●●● ●●●●	Stops
Proper value	14.50 ~ 15.49	-3.96 ~ -4.05	Y Y K K ●●●● B B M M	Stops
Low	15.50 ~ 16.49	-4.06 ~ -4.15	●●●● ●●●●	Stops
	16.50 ~ 17.49	-4.16 ~ -4.25	●●●● ●●●●	Sounds
	17.50 ~ 18.49	-4.26 ~ -4.35	●●●● ●●●●	
	18.50 ~ 19.49	-4.36 ~ -4.45	●●●● ●●●●	
	19.50 ~ 20.49	-4.46 ~ -4.55	●●●● ●●●●	
	20.50 ~ 21.49	-4.56 ~ -4.65	●●●● ●●●●	
	21.50 ~ 22.49	-4.66 ~ -4.75	●●●● ●●●●	
	22.50 ~ 23.49	-4.76 ~ -4.85	●●●● ●●●●	
	23.50 ~	-4.86 ~	●●●● ●●●●	

Ink bottle lamp



8

Press the **ENTER** key.

- The error is released and the negative pressure control starts.

PLEASE WAIT

Important!

- When an error occurs even after you adjusted the pressure, contact your local distributor to call for service.

If a head failure error is displayed

If the above errors occur when the power is turned on, you can use the following procedure to continue operation.

Head failure error to be subjected

If the head failure error that has not been described here has been displayed turn off the power to the machine and turn it on after a while. If the same error message appears again, contact your local distributor to call for service.

Error No.	Cause	Error No.	Cause
ERROR 108 (HD CONNECT)	Head connection can not be confirmed.	ERROR 1ab (HD THERMIS)	Temperature of the head could not be read
ERROR 12e (HEAD Failed/ HDD)	Abnormality of the Driver of the Print head.	ERROR 1ad (HD TYPE)	Head type is different
ERROR 1ac (HD MEM EMP)	There is no data in the head memory		



During the head failure error occurs, printing is possible using a different head that is operating normally.

- **For a partial head failure**

- ⇒ printing is possible using a different head that is operating normally.
- ⇒ Feed correction (☞ P.2-36), correct the ink drop position (☞ P.2-38), test print(☞ P.2-31) are possible using heads other than the heads where the failure occurred.

- **For a total head failure**

- ⇒ Only maintenance such as cleaning is possible.
- ⇒ Flushing is not possible for the head where the failure occurred.
- ⇒ Refresh(☞ P.4-26) is not possible even if Refresh is selected during auto maintenance. (Cleaning is performed.)

What to do if an error occurs

1

Error number is displayed on the display.

```
ERROR 108
HD CONNECT [ 123456 ]
```



```
ERROR 108
PRESS [ENT] KEY
```

2

Press the **ENTER** key.

```
ACT LIMIT
HEAD SELCT [ENT]
```

Important!

- If all heads are not usable, the right screen appears. In this case, only maintenance is possible.

```
ACT LIMIT
Can't PRINT/BTL [ENT]
```

3

Press the **ENTER** key.

- Head line select screen appears.

```
HEAD SELCT
:HEADline1&2
```

4

Press **▲** **▼**, to select head line to use.

- You cannot select a head where an error has occurred. (If there is a failure in head line 2, you cannot select head lines 1 & 3.)

```
HEAD SELCT
:HEADline1&2
```

5

When the operation is complete, the Select Media screen appears and can be used.

```
MEDIA SELECT
ROLL < > LEAF
```

Important!

- During printing, an "X" is displayed for the head line that includes the head where the failure occurred.

Warning / Error Messages

If some trouble occurs, the buzzer sounds and the display shows a corresponding error message. Take an appropriate remedy for the displayed error.

Warning messages

Errors when performing operations

Message	Cause	Solution
CAN'T OPERATE COVER OPEN	The front cover or the maintenance cover is opened.	<ul style="list-style-type: none"> Check the front cover and maintenance covers. If the same error message appears again even after closing all the covers, contact your local distributor to call for service.
CAN'T OPERATE MEDIA UNDETECTED	The media has not been detected.	<ul style="list-style-type: none"> Perform media detection.
CAN'T OPERATE MOTOR POWER OFF	The motor is OFF after the cover was opened etc.	<ul style="list-style-type: none"> Close the front cover and maintenance covers (right and left).
CAN'T OPERATE INK ERROR	An ink error occurred.	<ul style="list-style-type: none"> Check the ink bottle for the supply path corresponding to the indicated color.
CAN'T OPERATE DATA REMAIN	Data was received.	<ul style="list-style-type: none"> Perform data clear. (☞ P.2-41)

Message displayed in LOCAL

Message	Cause	Solution
<LOCAL> Can't PRINT/CART. [ENT]	Ink errors (unusable ink) occur in multiple ink bottles. Ink supply (print, cleaning, etc.) cannot be performed.	<ul style="list-style-type: none"> Press the ENTER key to check the ink bottle generating the warning. Replace them with usable ink bottles.
<LOCAL> Waste ink full	The waste ink tank is full.	<ul style="list-style-type: none"> Check the waste ink tank.
<LOCAL> Waste ink near full	The waste ink tank is nearly full.	
<LOCAL> Waste ink tank none	The waste ink tank is not set.	<ul style="list-style-type: none"> Set the waste ink tank.
<LOCAL> Replace a WIPER[MNT]	Time to replace the wiper in the capping station with a new one has come. (The wiping count has reached the specified value.)	<ul style="list-style-type: none"> Press the MAINT. key and replace the wiper with a new one. (☞ P.4-29)
<LOCAL> ** NO MEDIA **	The media is not set. The sensor has been broken.	<ul style="list-style-type: none"> Set the media. (☞ P.2-11) If the same error message appears again, contact your local distributor to call for service.
<LOCAL> DATA REMAIN	The data has been received.	<ul style="list-style-type: none"> Press the REMOTE key to perform printing. Or, perform data clear.

Message	Cause	Solution
<LOCAL> NEGATIVE PRESSURE	The value of the negative pressure sensor is abnormal.	<ul style="list-style-type: none"> Perform "PRESSURE ADJUST" (P.5-9) of the maintenance. If you cannot adjust it to the normal value, or, even if you perform, it may be displayed, contact your local distributor to call for service.
<LOCAL> POSITIVE PRESSURE	The value of the positive pressure sensor is abnormal.	
<LOCAL> NEGATIVE P. ADJUST	Pressure needs to be adjusted.	<ul style="list-style-type: none"> Contact your local distributor to call for service.
<LOCAL> INK NEAR END [ENT]	The ink of the ink bottle has been nearly used up.	<ul style="list-style-type: none"> Press the ENTER key to check the relevant ink bottle. Be careful because it may be INK NEAR END soon.
<LOCAL> EXPIRATION [ENT]	The specified expiration date of an ink bottle has passed.	The expiration date has passed. However, you can use it until the end of the following month.
<LOCAL> EXPIRATION(1M) [ENT]	The expiration date of an ink bottle has passed (one month has passed after the specified expiration date).	<ul style="list-style-type: none"> One month has passed after the expiration date. However, you can use it until the end of this month. (The ink bottle lamp blinks in red.)
<LOCAL> EXPIRATION(2M) [ENT]	The expiration date of an ink bottle has passed (two months have passed after the specified expiration date).	Two months have passed after the expiration date. Replace the ink bottle generating the warning with a new one.
<LOCAL> SUPPLY INK :MMBBYYKK	Ink could not be supplied to the sub tank.	<ul style="list-style-type: none"> Perform "SUB TANK" (P.5-6) of the maintenance. Also check the remaining amount of ink in the ink bottle. Even if you performed this, when the message is displayed, contact your local distributor to call for service.
<LOCAL> Sub tank Sens :MMBBYYKK	The liquid level sensor abnormality of the sub tank has been detected.	<ul style="list-style-type: none"> Turn off the power to the machine and turn it on after a while. If the same error message appears again, contact your local distributor to call for service.
<LOCAL> Ink Overflow :MMBBYYKK	Overflow from the sub tank has been detected.	
<LOCAL> TANK level H :MMBBYYKK	Though a certain amount was consumed, there is no change in the sub tank sensor High.	<ul style="list-style-type: none"> Perform "SUB TANK" (P.5-7) of the maintenance. Even if you performed this, when the message is displayed, contact your local distributor to call for service.
<LOCAL> TANK level L :MMBBYYKK	Though a certain amount was consumed, there is no change in the sub tank sensor Low.	
<LOCAL> Replace DeAirModule	The deaeration module in the ink path shall be replaced soon. (One year has passed since you started using it.)	<ul style="list-style-type: none"> The deaeration module shall be replaced. Contact a distributor in your district, our office, or our call center.
<LOCAL> MachineTEMP/Hi ***°C	The machine temperature is high.	<ul style="list-style-type: none"> Adjust the ambient temperature of the installation place.
<LOCAL> MachineTEMP/Lo ***°C	The machine temperature is low.	

Message	Cause	Solution
<LOCAL> Ymotor Cleaning[MNT]	Time to clean the Y motor has come.	<ul style="list-style-type: none"> • Turn off the power and vacuum debris of the Y motor from the vacuuming window. (P.4-28) • After the replacement, press the MAINT. key on the local screen to clear the warning.
<LOCAL> Replace Ymotor Brush	Time to replace the brush of Y motor has come.	<ul style="list-style-type: none"> • The brush of Y motor shall be replaced. Contact a distributor in your district, our office, or our call center.
<LOCAL> E. HEATER ERROR	An abnormality of the external heater has been detected.	<ul style="list-style-type: none"> • Contact a distributor in your district, our office or our call center. • When you do not use the external heater, set the external heater to "OFF" in the "HEATER" of the Setting Mode (P.3-3). By doing this, you can perform printing.
<LOCAL> E. HEATER CONNECT	The external heater is not connected correctly.	<ul style="list-style-type: none"> • Check the connection between this machine and the external heater. • Even if you performed this, if the same error is displayed, contact a distributor in your district, our office or our call center. • When you do not use the external heater, set the external heater to "OFF" in the "HEATER" of the Setting Mode (P.3-3). By doing this, you can perform printing.
<LOCAL> Take-UP CoverOPEN	The cover of the media take-up machine was open was detected.	<ul style="list-style-type: none"> • Check the cover of the media take-up machine. Even if you close the cover, if the same error is displayed, contact a distributor in your district, our office or our call center.
<LOCAL> Take-UP LimitDETECT	The control limit sensor of the media take-up machine was detected.	<ul style="list-style-type: none"> • Lower the position of the tension bar at the take-up side. Even if you lower the position, if the same message is displayed, contact a distributor in your district, our office or our call center.
<LOCAL> Take-UP WRONG	An abnormality occurred in the take-up status of the media take-up machine.	<ul style="list-style-type: none"> • Check that the media is set on the media take-up machine correctly. • Check that the paper core for taking up media does not run idle.
<LOCAL> Feeding CoverOPEN	The cover of the media feeding machine was open was detected.	<ul style="list-style-type: none"> • Check the cover of the media feeding machine. Even if you close the cover, if the same error is displayed, contact a distributor in your district, our office or our call center.
<LOCAL> Feeding LimitDETECT	The control limit sensor of the media feeding machine was detected.	<ul style="list-style-type: none"> • Lower the position of the tension bar at the feeding side. Even if you lower the position, if the same message is displayed, contact a distributor in your district, our office or our call center.
<LOCAL> Feeding WRONG	An abnormality occurred in the feeding status of the media feeding machine.	<ul style="list-style-type: none"> • Check that the media is set on the media feeding machine correctly. • Check that the paper core of roll media does not run idle.
Mist Filter Please Replace [ENT]	Time to replace the mist filter has come.	<ul style="list-style-type: none"> • For replacing the filter, refer to the separate "Requests for Daily Care and Maintenance".

Message	Cause	Solution
!LEFT HEATER BRK	A drying heater is disconnected.	<ul style="list-style-type: none"> • Turn off the main power to the machine and turn it on after a while. • If the same error message appears again, contact your local distributor to call for service.
!CENTER HEATER BRK		
!RIGHT HEATER BRK		

Ink Error

Ink error is displayed also in the local guidance. (☞ P.3-48)

Message	Cause	Solution
NON INK IC :---- YYKK	The IC chip of the ink bottle cannot be read normally.	<ul style="list-style-type: none"> • Remove the IC chip generating the warning once and install it again. • If the same warning message still appears, contact your local distributor to call for service.
WRONG INK IC :---- YYKK		
KIND OF INK :---- YYKK	The ink of the ink bottle is different in type from the ink currently supplied.	<ul style="list-style-type: none"> • Check the ink type of the ink bottle generating the warning. • Check the IC chip.
COLOR OF INK :---- YYKK	The ink of the ink bottle is different in color from the ink currently supplied.	<ul style="list-style-type: none"> • Check the ink color of the ink bottle generating the warning. • Check the IC chip.
WRONG INK BOTTLE :---- YYKK	An error occurred in the IC chip information of the ink bottle.	<ul style="list-style-type: none"> • Check the ink bottle generating the warning.
NO INK BOTTLE :---- YYKK	The ink bottle is not set on the external ink supply unit.	<ul style="list-style-type: none"> • Set the ink bottle on the bottle holder with the warning.
INK END :---- YYKK	The ink of the ink bottle has been completely used up.	<ul style="list-style-type: none"> • Replace the ink bottle generating the warning with a new one.
INK NEAR END :---- YYKK	The ink of the ink bottle has been nearly used up.	<ul style="list-style-type: none"> • Replace the ink bottle generating the warning with a new one.
CHCK INK BOTTLE :---- YYKK	Even when there are enough ink, ink end has been detected.	<ul style="list-style-type: none"> • Check the ink bottle setting status.
EXPIRATION :---- YYKK	The specified expiration date of an ink bottle has passed.	The expiration date has passed. However, you can use it until the end of the following month.
EXPIRATION (1MONTH) :---- YYKK	The expiration date of an ink bottle has passed (one month has passed after the specified expiration date).	<ul style="list-style-type: none"> • One month has passed after the expiration date. However, you can use it until the end of this month. (The ink bottle lamp blinks in red.)
EXPIRATION (2MONTH) :---- YYKK	The expiration date of an ink bottle has passed (two months have passed after the specified expiration date).	<ul style="list-style-type: none"> • Two months have passed after the expiration date. Replace the ink bottle generating the warning with a new one.

Error messages

When an error message is displayed, eliminate the error according to the chart below.

If the same error message appears again, contact your dealer or an office of MIMAKI to call for service.

Message	Cause	Solution
ERROR 108 HD CONNECT [12345678]	Head connection can not be confirmed.	<ul style="list-style-type: none"> • Turn off the power to the machine and turn it on after a while. If the same error message appears again, contact your local distributor to call for service.
ERROR 108 HD THERMIS [12345678]	Head temperature can not be read.	
ERROR 12a HDC SPEED	Abnormality of the ink discharge waveforms.	
ERROR 12e HeadFaild /HDC [xxxx]	Abnormality of the Driver of the Print head.	
ERROR 122 CHECK: SDRAM	There is no PRAM.	
ERROR 128 HDC FIFO OVER	Data transmission speed is too fast. Control circuit board is defective.	
ERROR 128 HDC FIFO UNDER	Data transmission speed is too slow. Control circuit board is defective.	
ERROR 129 BATTERY EXCHANGE	The battery life end of the internal clock is detected.	<ul style="list-style-type: none"> • Contact your local distributor to call for service.
ERROR 130 HD DATA SEQ	Head data transferring sequence error occurred.	<ul style="list-style-type: none"> • Turn off the power to the machine and turn it on after a while. If the same error message appears again, contact your local distributor to call for service.
ERROR 146 E-LOG SEQ	Sequential number abnormality of the event log occurred.	
ERROR 151 Main PCB V12R	An error occurred in the main PCB 1.2V power supply.	
ERROR 152 Main PCB V2R5	An error occurred in the main PCB 2.5V power supply.	
ERROR 153 Main PCB V3R3	An error occurred in the main PCB 3.3V power supply.	
ERROR 154 Main PCB V05	An error occurred in the main PCB 5V power supply.	
ERROR 155 Main PCB V36-1	An error occurred in the main PCB 36-1 power supply.	
ERROR 156 Main PCB V5B	An error occurred in the main PCB 5VB power supply.	
ERROR 157 Main PCB VTT	An error occurred in the main PCB VTT power supply.	
ERROR 158 Main PCB V36-2	An error occurred in the main PCB 36-2V power supply.	

Message	Cause	Solution
ERROR 16e Main PCB V3R3B	An error occurred in the main PCB 3.3VB power supply.	<ul style="list-style-type: none"> • Turn off the power to the machine and turn it on after a while. If the same error message appears again, contact your local distributor to call for service.
ERROR 18a Main PCB V_CORE	An error occurred in the main PCB VCORE power supply.	
ERROR 18b Main PCB V1R5B	An error occurred in the main PCB 1.5V power supply.	
ERROR 18c Main PCB V12	An error occurred in the main PCB 12V power supply.	
ERROR15f HEAD DRIVE HOT	COM driver becomes the high temperature.	
ERROR 171 NEW HEAD CONNECT	New Print Head was recognized.	
ERROR 172 Main PCB Q6 Check K	The main PCB Q6 is disabled (short mode).	
ERROR 186 HDC OVERFLOW	An error is detected on the waveform printed on.	
ERROR 186 HDC UNDERFLOW		
ERROR 187 HDC SLEW RATE		
ERROR 188 HDC MEMORY		
ERROR 18e FLS NOT COMP [12__]	Abnormality of the flushing control.	
ERROR 18f OFFSET START [12__]	Abnormality of the head voltage control.	
ERROR 18f OFFSET END [12__]		
ERROR 19d HDC V36 [xxxx]	Abnormality of the HDC substrate voltage.	
ERROR 201 COMMAND	The machine received some data other than command data.	<ul style="list-style-type: none"> • Securely connect the interface cable in position. • Use an interface cable conforming to the specifications.
ERROR 202 PARAMETER	Any parameter outside the range of acceptable numeric values was received.	
ERROR 203 Ment Command	A maintenance command error occurred.	
ERROR 304 USB INIT ERR	USB device initialization failure.	<ul style="list-style-type: none"> • Turn off the main power to the machine and turn it on after a while. If the same error message appears again, contact your local distributor to call for service.

Message	Cause	Solution
ERROR 305 USB TIME OUT	Occurrence of a time out error on a USB device.	
ERROR 401 MOTOR X	An excessive load was applied to the X motor.	<ul style="list-style-type: none"> • Turn off the main power to the machine and turn it on after a while. If the same error message appears again, contact your local distributor to call for service.
ERROR 402 MOTOR Y	An excessive load was applied to the Y motor.	
ERROR 403 X CURRENT	An error due to an excessive current of the X motor was detected.	
ERROR 404 Y CURRENT	An error due to an excessive current of the Y motor was detected.	
ERROR 423 TAKE-UP TENSION BAR	An error was detected in the take-up tension bar at media set check when starting printing.	<ul style="list-style-type: none"> • Check the media set status, and solve the problem.
ERROR 424 FEEDING TENSION BAR	An error was detected in the feeding tension bar at media set check when starting printing.	<ul style="list-style-type: none"> • Check the media set status, and solve the problem.
ERROR 425 Take-UP WRONG	An error occurred in the take-up status of the take-up unit.	<ul style="list-style-type: none"> • Check that the media can be taken up to the take-up unit. • Check that the paper core taking up the media does not run idle.
ERROR 426 Feeding WRONG	An error occurred in the feeding status of the feeding unit.	<ul style="list-style-type: none"> • Check that the media can be taken up to the feeding unit. • Check that the media does not run idle.
ERROR 427 Take-UP CoverOPEN	The take-up cover opened during printing.	<ul style="list-style-type: none"> • Close the take-up cover.
ERROR 428 Feeding CoverOPEN	The feeding cover opened during printing.	<ul style="list-style-type: none"> • Close the feeding cover.
ERROR 429 Take-UP LimitDETECT	The take-up limit sensor was detected during printing.	<ul style="list-style-type: none"> • Lower the tension bar or move it to the waiting position.
ERROR 42a Feeding LimitDETECT	The feeding limit sensor was detected during printing.	<ul style="list-style-type: none"> • Lower the tension bar or move it to the waiting position.
ERROR 44d STATION POS ERROR	An error occurred in the station position.	Turn off the main power to the machine and turn it on after a while. If the same error message appears again, contact your local distributor to call for service.

Message	Cause	Solution
ERROR 627 INSERT CARTRIDGE	There is a slot in which the ink bottle has not been inserted more than a certain time.	Set an ink bottle.
ERROR 505 MEDIA JAM	The media jam occurs.	• Remove the media and reset it.
ERROR 50c MEDIA WIDTH SENSOR	The media width has not been detected correctly.	• Check the media set position. (☞ P.2-24)
ERROR 509 HDC POSCNT	A HDC position counter error occurred.	• Turn off the main power to the machine and turn it on after a while. If the same error message appears again, contact your local distributor to call for service.
ERROR 50a Y ORIGIN	Y-origin could not be detected.	
ERROR 50f L-SCALE BLACK	Abnormal linear scale.	
ERROR 519 NEGATIVE P. SENSOR	The value of the negative pressure sensor is abnormal.	• Perform "PRESSURE ADJUST" (☞ P.5-9) of the maintenance. If you cannot adjust it to the normal value, or, even if you perform, it may be displayed, contact your local distributor to call for service.
ERROR 51a POSITIVE P. SENSOR	The value of the positive pressure sensor is abnormal.	
ERROR 53c Print Pos HDC	An error occurred in the linear scale coordinates.	• Turn off the main power to the machine and turn it on after a while. If the same error message appears again, contact your local distributor to call for service.
ERROR 617 SUBTANK SNN : 12345678	The liquid level sensor abnormality of the sub tank has been detected.	
ERROR 618 TANK level H : 12345678	Though a certain amount was consumed, there is no change in the sub tank sensor High.	
ERROR 619 TANK level L : 12345678	Though a certain amount was consumed, there is no change in the sub tank sensor Low.	• Perform "SUB TANK" (☞ P.5-6) of the maintenance. Even if you performed this, when the message is displayed, contact your local distributor to call for service.
ERROR 61a OVER FLOW : 12345678	Overflow from the sub tank has been detected.	
ERROR 61b SUPPLY INK : 12345678	Ink could not be supplied to the sub tank.	
ERROR 61c NEGATIVE P. CONTROL	Starting of the negative pressure control has an abnormality.	• Perform "PRESSURE ADJUST" (☞ P.5-9) of the maintenance. If you cannot adjust it to the normal value, or, even if you perform, it may be displayed, contact your local distributor to call for service.
ERROR 61d NEGATIVE P. Not Enough	The negative pressure cannot be kept properly	
ERROR 61e NEGATIVE P. OVER		

Message	Cause	Solution
ERROR 627 INSERT CARTRIDGE	There is a slot in which the ink bottle has not been inserted more than a certain time.	Set an ink bottle.
ERROR 61f POSITIVE P. CONTROL	Starting of the positive pressure control has an abnormality.	<ul style="list-style-type: none"> Perform "PRESSURE ADJUST" (☞ P.5-9) of the maintenance. If you cannot adjust it to the normal value, or, even if you perform, it may be displayed, contact your local distributor to call for service.
ERROR 620 POSITIVE P. NotEnough	The positive pressure cannot be kept properly.	
ERROR 621 POSITIVE P. OVER		
ERROR 627 INSERT CARTRIDGE	There is a slot in which the ink bottle has not been inserted more than a certain time.	<ul style="list-style-type: none"> Set an ink bottle.
ERROR 637 INK LEAK 1--	The ink leakage is detected in the ink supply path.	<ul style="list-style-type: none"> Turn off the main power to the machine and turn it on after a while. If the same error message appears again, contact your local distributor to call for service.
ERROR 649 NEGATIVE P. ADJUST	Pressure needs to be adjusted.	<ul style="list-style-type: none"> Perform "PRESSURE ADJUST" (☞ P.5-9) of the maintenance. If you cannot adjust it to the normal value, or, even if you perform, it may be displayed, contact your local distributor to call for service.
ERROR 702 THERMISTOR	The thermistor of a heater is defective.	<ul style="list-style-type: none"> Turn off the main power to the machine and turn it on after a while. If the same error message appears again, contact your local distributor to call for service.
ERROR 707 !H1 HEATER BREAK	A head heater is disconnected.	
ERROR 901 INVZLID OPERATION	You have executed the operation that cannot be performed.	
ERROR 902 DATA REMAIN	There remains received data that has not yet been printed.	<ul style="list-style-type: none"> Execute the data clear function. (☞ P.2-41)
ERROR 90d NO HEAD SELECT	The number of mounted heads is 0 (zero).	<ul style="list-style-type: none"> Turn off the main power to the machine and turn it on after a while. If the same error message appears again, contact your local distributor to call for service.
ERROR 910 ENVIRONMENT TEMP(LO)	The ambient temperature is out of the usable temperature range (too low).	<ul style="list-style-type: none"> Adjust the ambient temperature of the installation place.
ERROR 911 ENVIRONMENT TEMP(HI)	The ambient temperature is out of the usable temperature range (too high).	

SYSTEM HALT

Message	Solution
SYSTEM HALT 000: MESSAGE	Turn off the main power to the machine and turn it on after a while. Check the number and contact your local distributor to call for service. ("000" is the error No.)

Chapter 6

Appendix



This chapter

contains the lists of the specifications and functions of this machine.

Specifications	6-2
Machine specifications	6-2
Ink specifications	6-3
Setting orders depending on ink type	6-4
Setting orders of ink bottles	6-4
Sheet for inquiry	6-5
Warning labels	6-6
Function Flowchart	6-8

Specifications

Machine specifications

Item		Specifications
Print head	Method	Drop-on-demand piezoelectric print heads
	Specification	6 heads: 3-layered staggered arrangement in 2-line
Drawing mode (scan x feed)	4 colors	300x300 : Bi/Uni 1/2/4 pass (only normal mode) 300x300HQ : Bi/Uni 2/4/8 pass (only normal mode) 300x450HQ : Bi/Uni 3/6/12 pass (only normal mode) 600x600 : Bi/Uni 4/8/16 pass 600x900 : Bi/Uni 6/12/24 pass 600x1200 : Bi/Uni 8/16/32 pass
	6 colors or more	300x300 : Bi/Uni 2/4/8 pass (only normal mode) 300x300HQ : Bi/Uni 4/8/16 pass (only normal mode) 600x450 : Bi/Uni 6/12/24 pass 600x600 : Bi/Uni 8/16/32 pass 600x900 : Bi/Uni 12/24/48 pass 600x1200 : Bi/Uni 16/32/64 pass
Usable inks	4 colors	Sb300 (Y,M,B,K) , Sb320 (Y,M,B,K)
	6 colors	Sb300 (Y,M,B,K,Lb,Lm) , Sb320 (Y,M,B,K,Lb,Lm)
Ink supply		Supplying 2L x 8 bottles (For 4-color, UISS switching is available/ for 6-color, UISS switching is available only for Y, K./ You can transfer the remaining ink in the used ink bottle to the new one.)
Capacity of ink bottle	4 colors	2L-bottle x 2 for each color
	6 colors	M, B, Lm, Lb: 2L-bottle x 1 for each color Y, K: 2L-bottle x 2 for each color
Media type		Photo paperPre-treated polyester material
Max. printing width		1820mm
Roll Media size	Maximum	1910mm
	Minimum	297mm
	Thickness	0.2 mm or less
	Roll outside diameter	φ 300mm or less
	Roll weight ^{*1}	60kg or less
	Roll inside diameter	3 inches
	Printing surface	Regardless of inside and outside
Roll end treatment	The roll end is gently fixed to the core with weak-adhesive tape or weak glue for easy removal.	
Leaf media size	Maximum	1910mm
	Minimum	297mm
Margin	Leaf media	Left end and right end : 15 mm (Default) Front : 150.0 mm Rear : 400 mm
	Roll media	Left end and right end : 15 mm (Default) Front : 150.0 mm Rear : 0 mm
Distance accuracy	Absolute accuracy	Whichever the larger one of ± 0.3 mm or ± 0.3 % of the designated
	Reproducibility	Whichever the larger one of ± 0.2 mm or ± 0.1 % of the designated
Perpendicularity		± 0.5 mm / 1000 mm
Media skew		5 mm or less / 10 m variable
Head height adjustment		1.5mm to 7mm Single-step user setting (media thickness automatic recognition)
Media delivery		Take-up device supplied as a standard accessory (switching possible between face in and face out).
Waste ink tank		Bottle type (3,200 cc)/ Detected by sensor
Interface		USB 2.0
Command		MRL- III
Noise ^{*2}	during standby	Less than 58 dB (FAST-A, Front & Rear & Left & Right 1 m)
	during continuous printing	Less than 65 dB
	during discontinuous printing	Less than 70 dB
Safety Standard		VCCI-Class A, FCC-Class A, UL 60950, CE Marking (EMC,Low Voltage Directive,Machinery Directive), CB Report, RoHS
Power		AC200 - 240 ± 10% , 50/60Hz ± 1Hz , 20A or less

Item		Specifications
Power consumption ^{*3}		4800 W or less
Recommended Environment	Available temp.	20 °C to 30 °C (68°F to 86°F)
	Humidity	35 to 65% Rh (No condensation)
	Guaranteed temp.	20 °C to 25 °C (68°F to 77°F)
	Temperature change	± 10 °C / h or less
	Dust	0.15mg/m ³ (Equivalent to normal office level)
	Highest operation height	2000 m
Weight	Printer main unit	750 kg
	External ink supply unit	30 kg
Outside dimensions ^{*4}	Printer main unit	3830 mm(W) x 1440 mm(D) x 1700mm(H)
	External ink supply unit	775 mm(W) x 490 mm(D) x 785mm(H)

*1. Without deflection of the roll when it is retained at both ends.

*2. 67.7dB(A), Operating Condition: Full load Measuring Method: According to clause 1.7.4.2 of Machinery Directive 2006/42/EC

*3. Main unit and heater included.

*4. When take-up machine/ feeding machine are flat

Ink specifications

Item		Specifications
Supply		2L Ink bottle
Color	4 colors	Black ink Blue ink Magenta ink Yellow ink
	6 colors	Black ink Blue ink Magenta ink Yellow ink Light blue ink Light magenta ink
Ink capacity		2 liter
Shelf life		The period is printed on the ink bottle. Within three months after opening the package even in the available period.
Storage temperature	Storage	1 to 40°C (Storage at temperature of 40°C is permitted within a month.)
	Transportation	1 to 60°C (Storage at temperature of 60°C is only permitted within 120 hours, and at temperature of 40°C is permitted within a month.)

Important!

- **Do not disassemble the ink bottle.**
- **Ink could freeze if kept in a cold place for an extended period.**
 - If the ink freezes, thaw it at room temperature (25°C) spending more than three hours before use. However, when you use the frozen ink, the printing quality becomes degraded due to altered ink. Store ink in the environment where ink may not freeze.

Setting orders depending on ink type

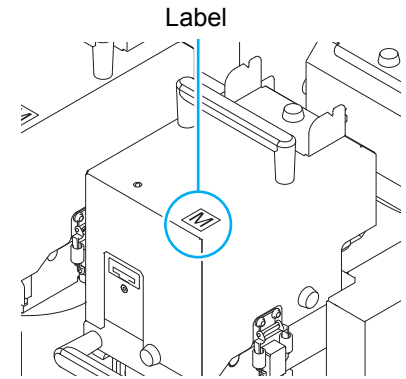
The setting value and the setting orders of the ink bottles differ depending on the ink type you use.

Setting orders of ink bottles

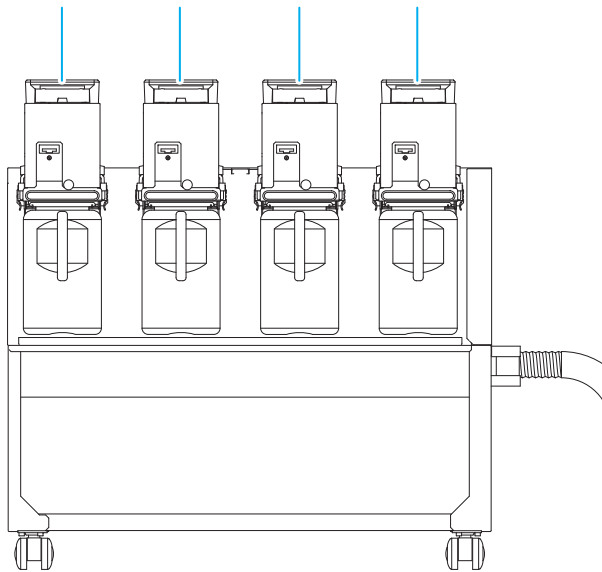
The orders of ink bottles set in the ink station differ depending on the ink set you use.



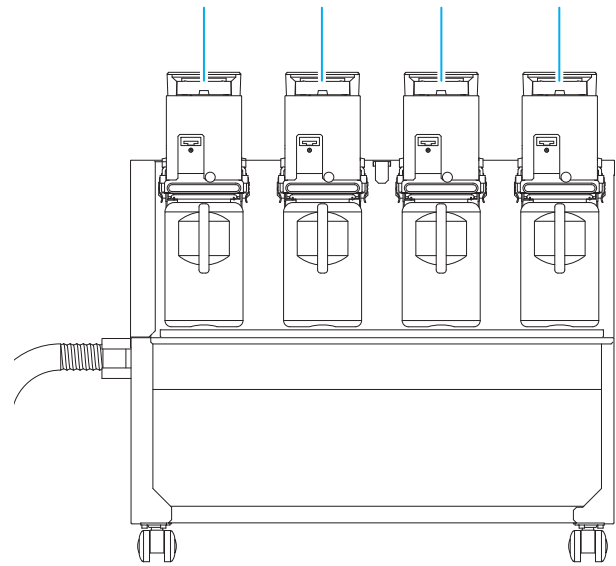
- Set the ink bottle aligning with the label pasted on the top surface of the ink cover.



B	B	M	M	4 colors model	K	K	Y	Y
Lb	B	Lm	M	6 colors model	K	Y	K	Y



The front side



The front side

Sheet for inquiry

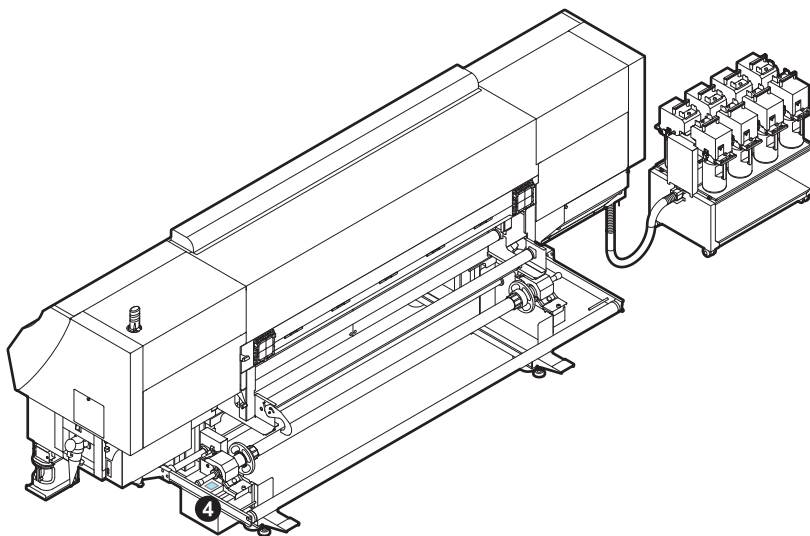
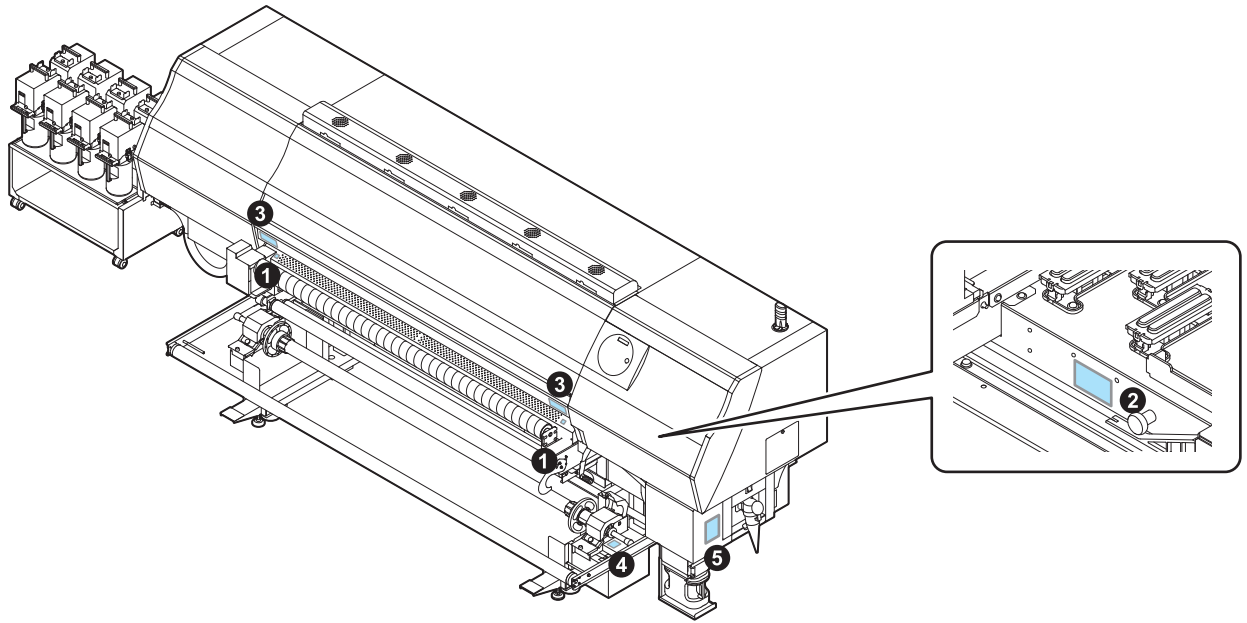
Use this sheet for troubles and abnormal functions of the machine.
Fill in the following necessary items, and then fax the sheet to our sales office.





Company name	
Person in charge	
Telephone number	
machine model	
Operating OS	
Machine information *1	
Error message	
Contents of inquiry	

*1. Refer to "Confirming Machine information" of "Convenient using" then fill in necessary information. (☞ P.3-45)

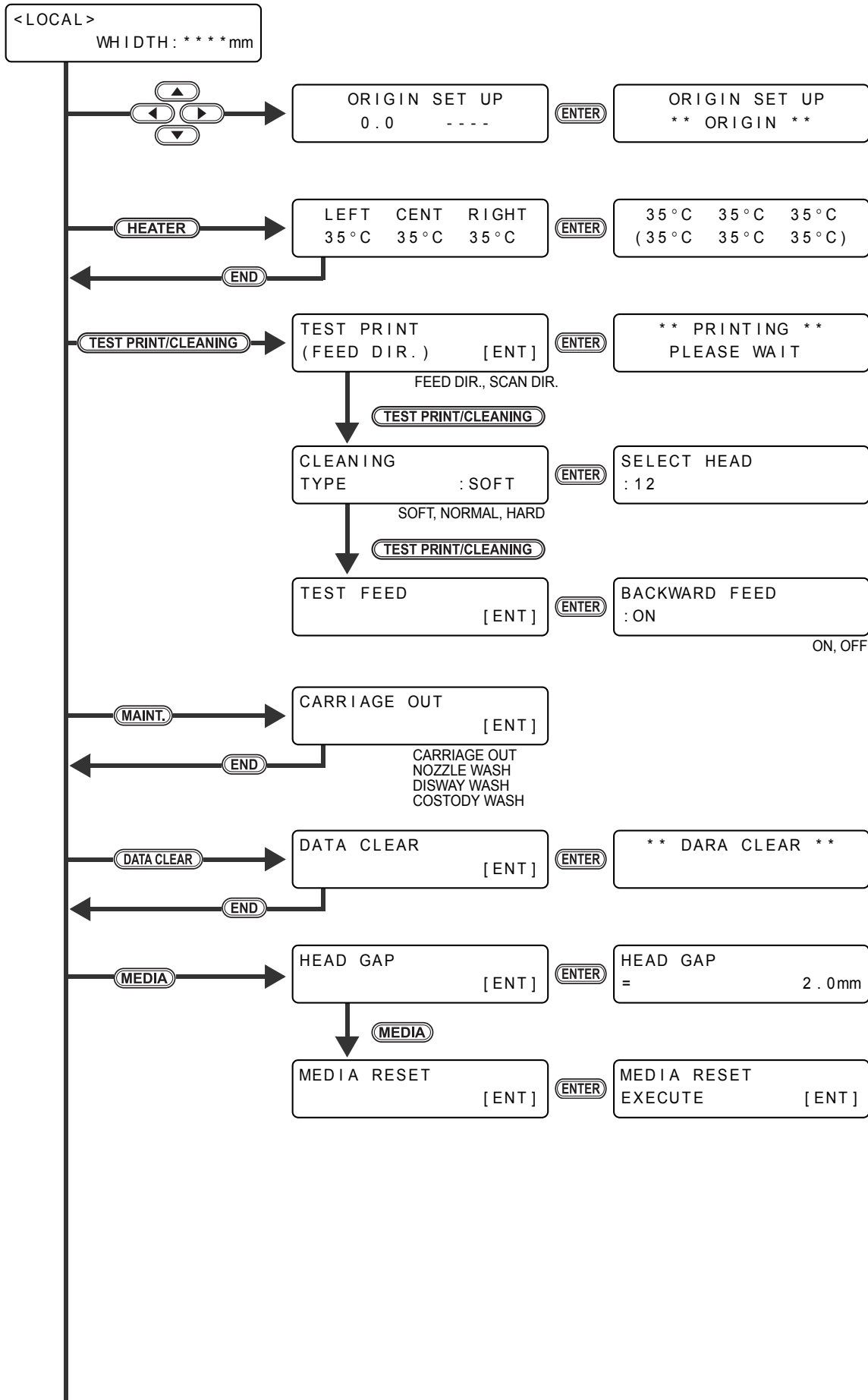
Warning labels

Warning labels are stuck on the machine. Be sure to fully understand the warning given on the labels. If a warning label is illegible due to stains or has come off, purchase a new one from a distributor or our sales office.

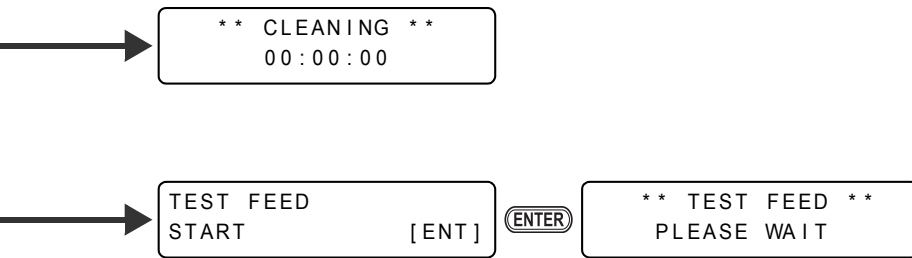


<p>1:Reorder .M903239</p>	<p>3:Reorder .M903330</p>										
											
<p>4:Reorder .M901549</p>											
<table border="1"> <thead> <tr> <th data-bbox="280 495 491 539">⚠ 注意</th> <th data-bbox="491 495 700 539">⚠ 注意</th> <th data-bbox="700 495 909 539">⚠ CAUTION</th> <th data-bbox="909 495 1118 539">⚠ ACHTUNG</th> <th data-bbox="1118 495 1327 539">⚠ ATTENTION</th> </tr> </thead> <tbody> <tr> <td data-bbox="280 539 491 611"> 滚轮转动时, 请勿将手插入前面外盖的内部。 </td> <td data-bbox="491 539 700 611"> キャリッジ動作中は、フロントカバーの中に指を入れないでください。 </td> <td data-bbox="700 539 909 611"> -MOVING CARRIAGE- Do not put fingers inside this area </td> <td data-bbox="909 539 1118 611"> -Beweglicher Wagen- Finger nicht in diesen Bereich bringen. </td> <td data-bbox="1118 539 1327 611"> -CHARIOT MOBILE- Ne pas mettre de doigts dans cette zone. (S) </td> </tr> </tbody> </table>		⚠ 注意	⚠ 注意	⚠ CAUTION	⚠ ACHTUNG	⚠ ATTENTION	滚轮转动时, 请勿将手插入前面外盖的内部。	キャリッジ動作中は、フロントカバーの中に指を入れないでください。	-MOVING CARRIAGE- Do not put fingers inside this area	-Beweglicher Wagen- Finger nicht in diesen Bereich bringen.	-CHARIOT MOBILE- Ne pas mettre de doigts dans cette zone. (S)
⚠ 注意	⚠ 注意	⚠ CAUTION	⚠ ACHTUNG	⚠ ATTENTION							
滚轮转动时, 请勿将手插入前面外盖的内部。	キャリッジ動作中は、フロントカバーの中に指を入れないでください。	-MOVING CARRIAGE- Do not put fingers inside this area	-Beweglicher Wagen- Finger nicht in diesen Bereich bringen.	-CHARIOT MOBILE- Ne pas mettre de doigts dans cette zone. (S)							
<p>5:Reorder .M903404</p>	<p>6:Reorder .M908973</p>										
											

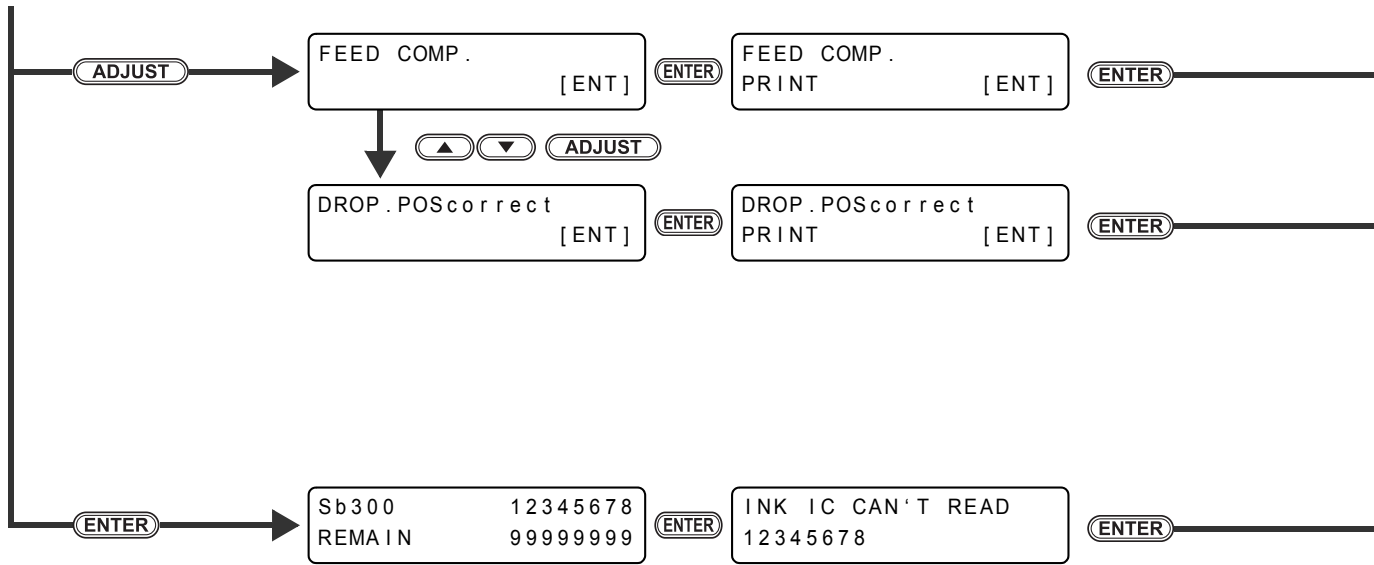
Function Flowchart

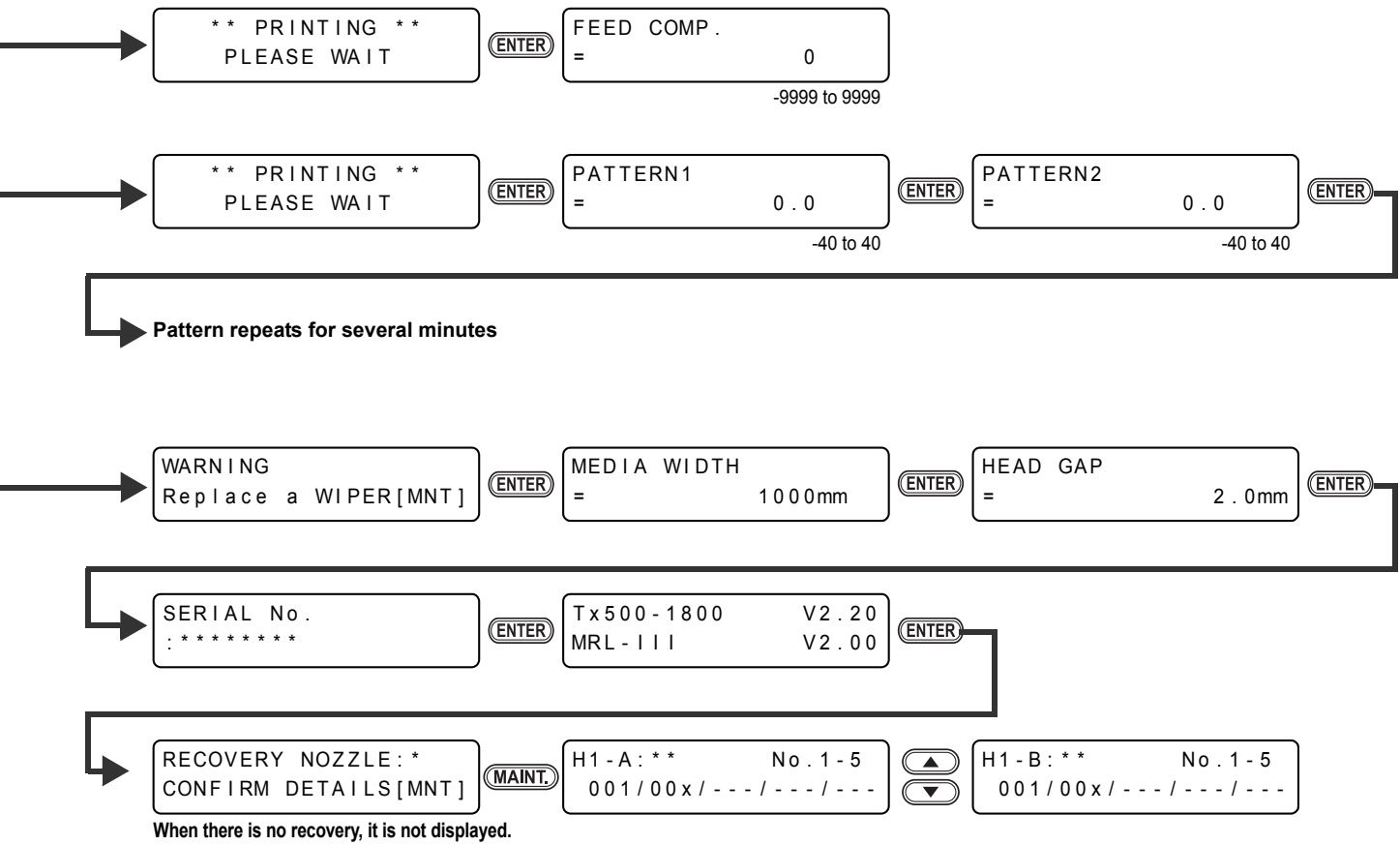


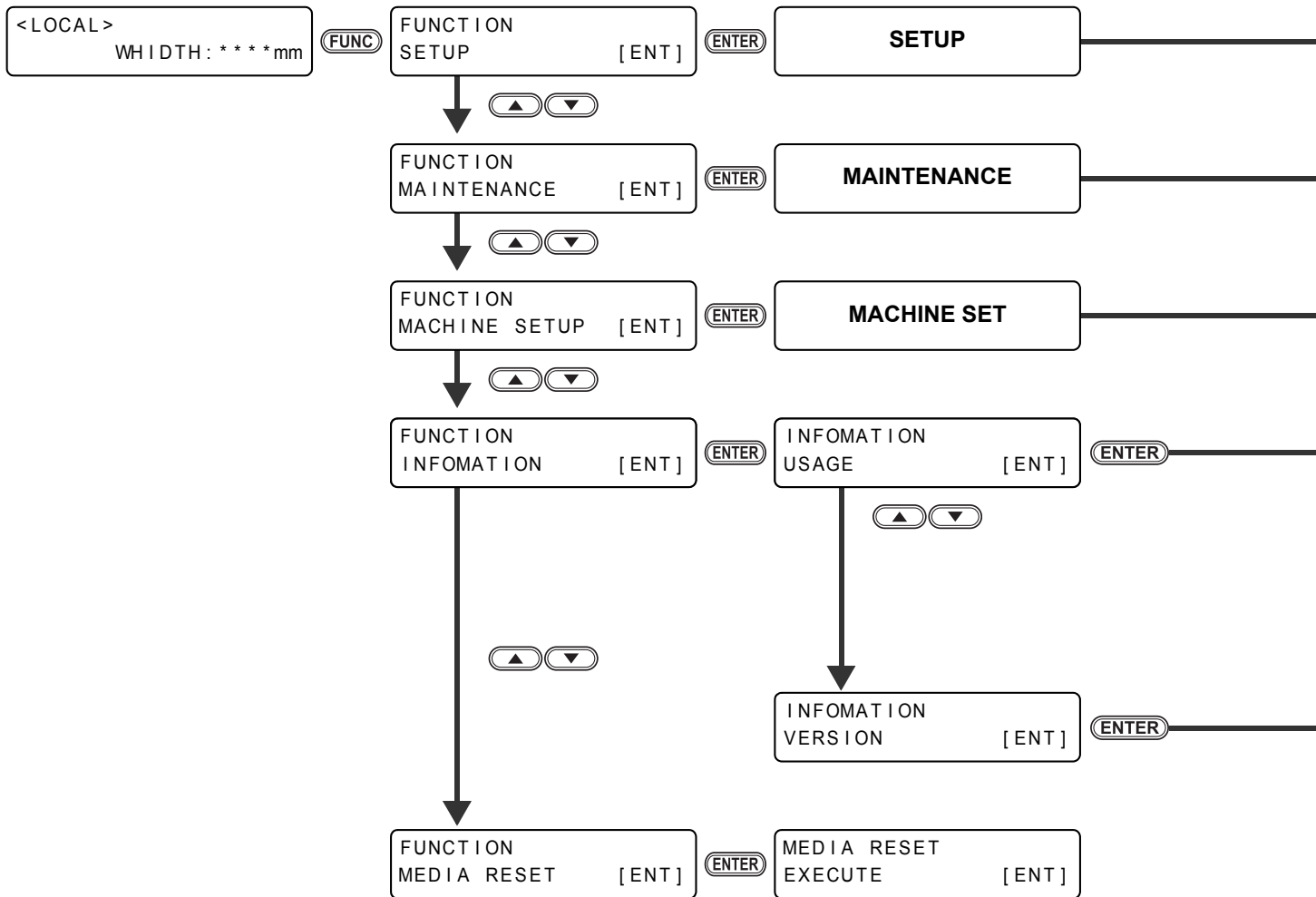
To P.6-10

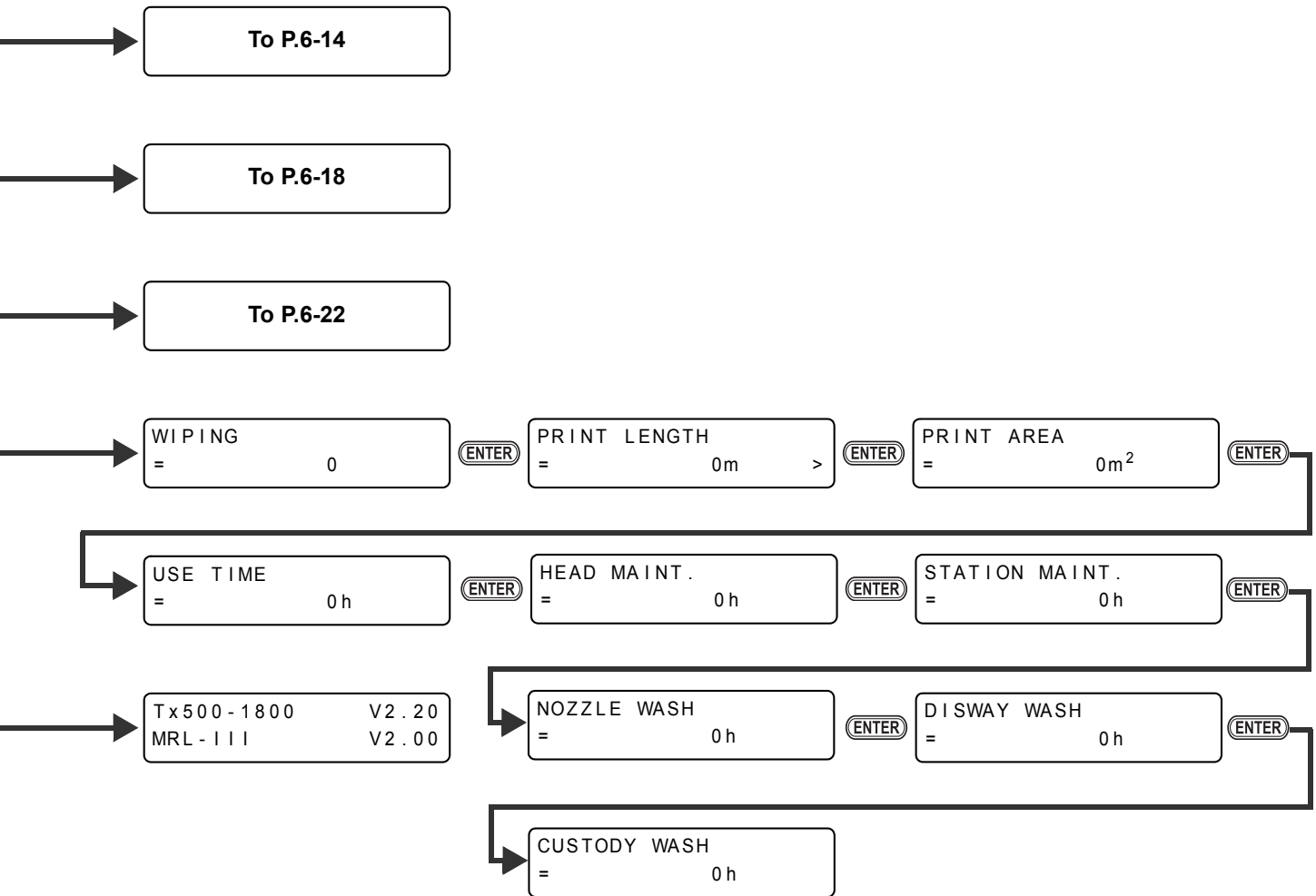


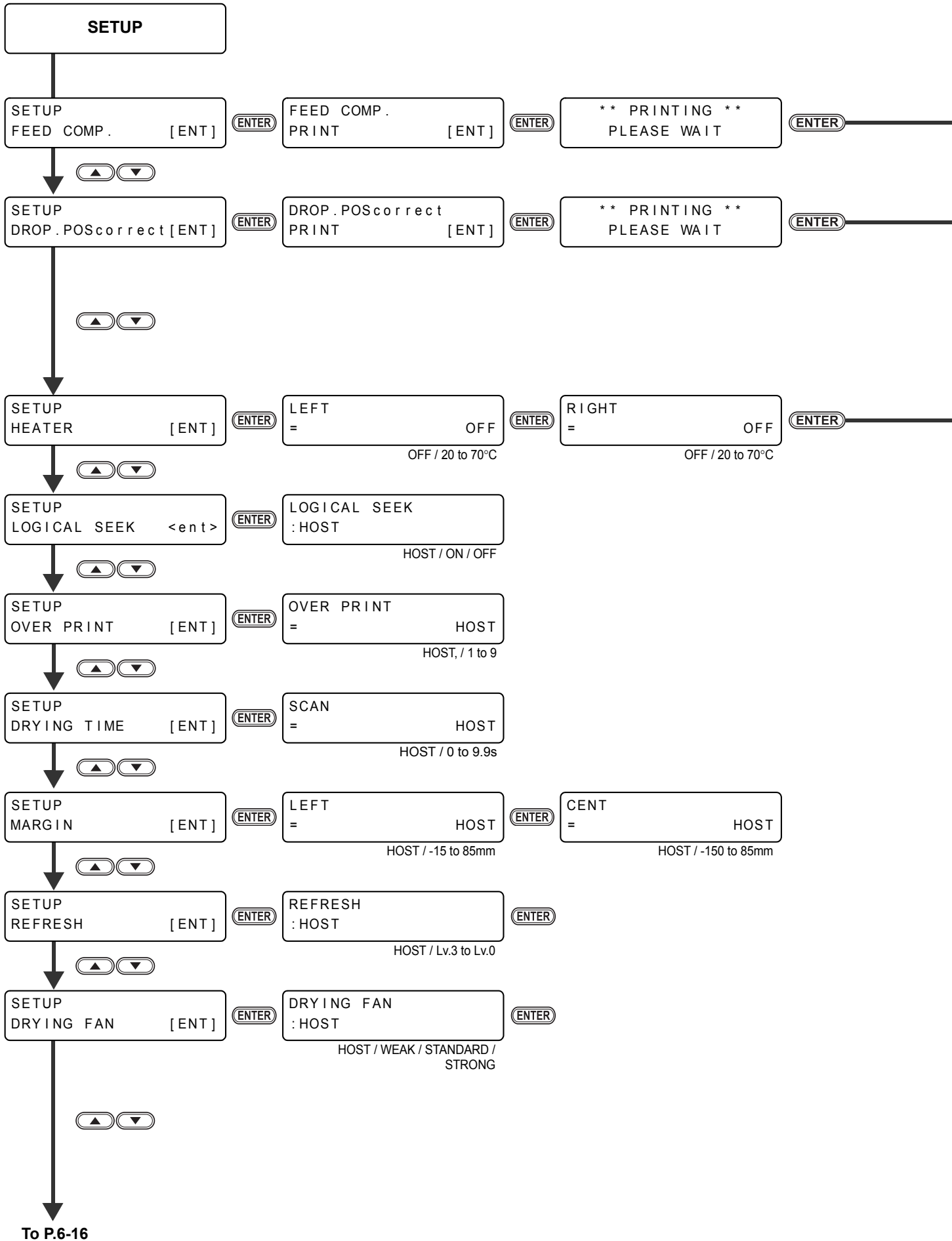
From P.6-8

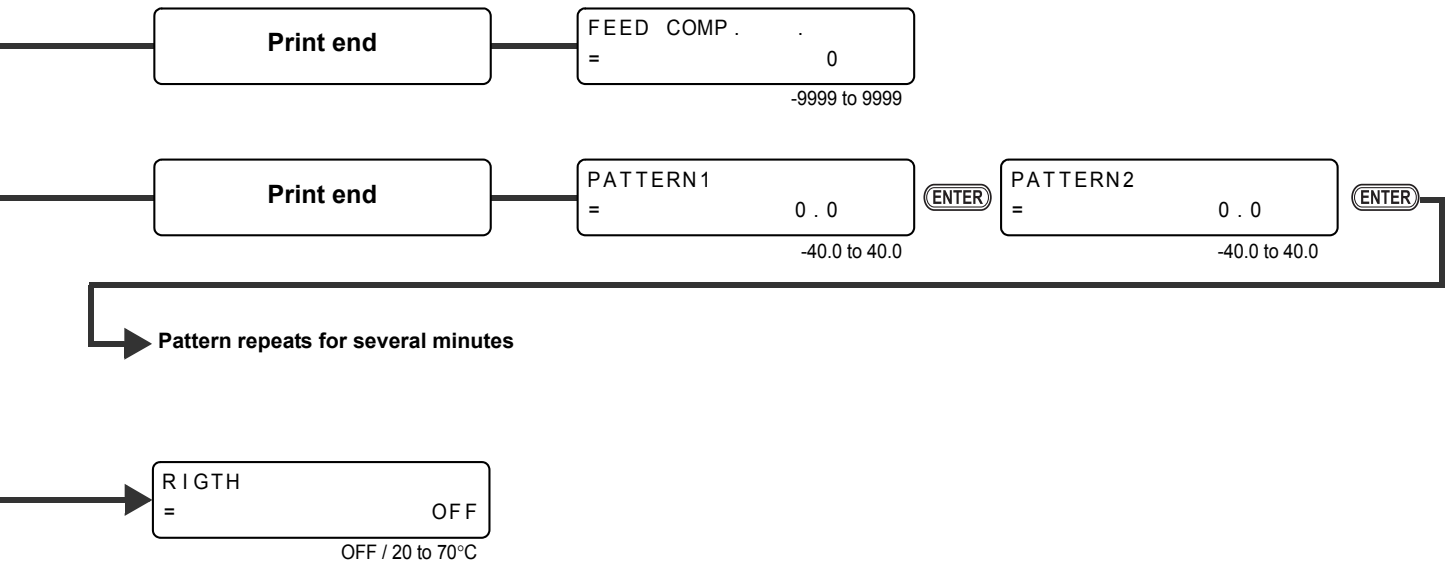




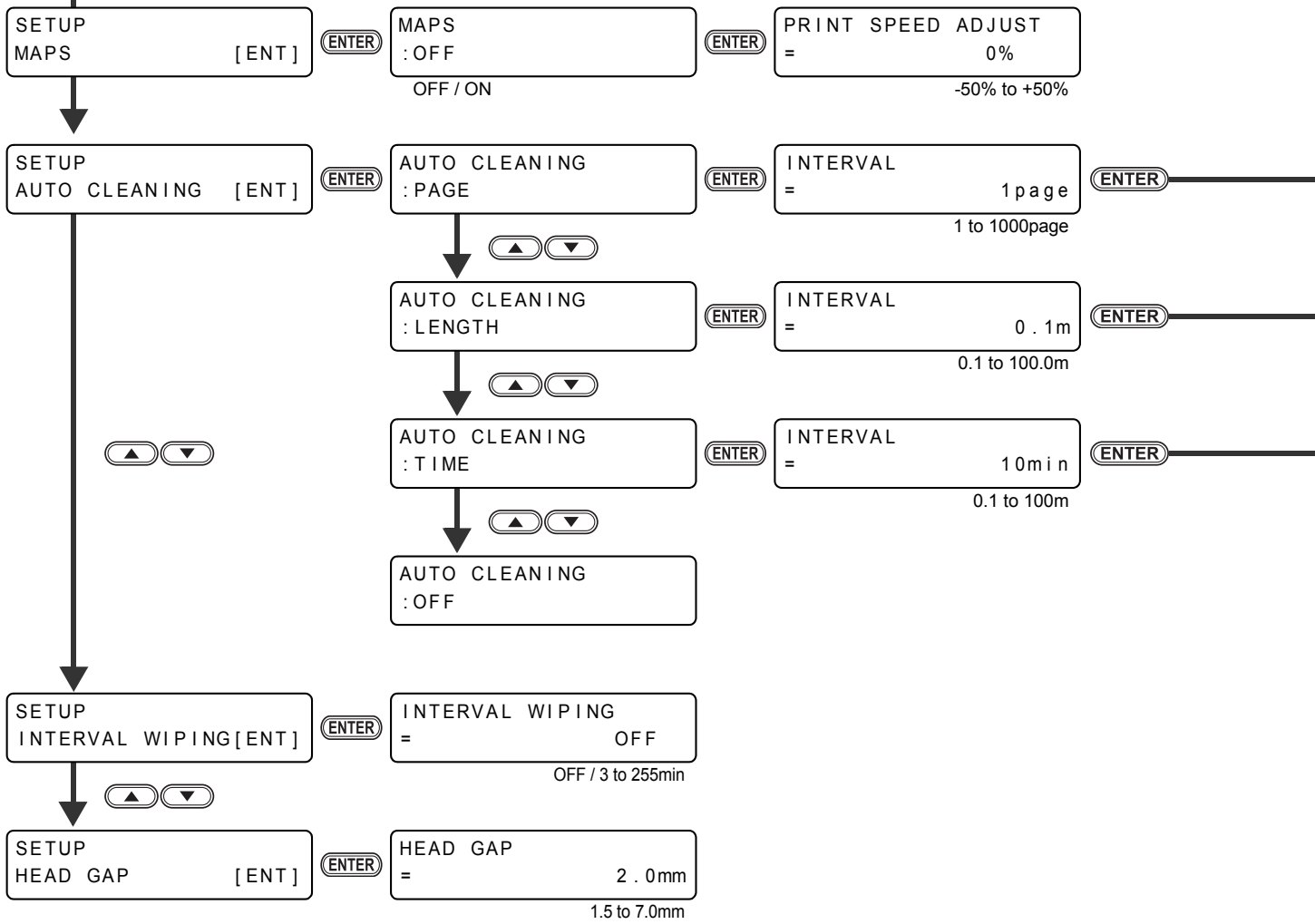


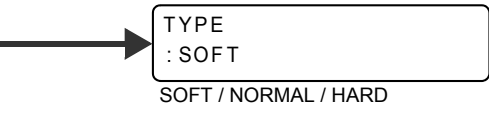
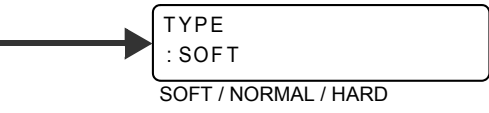
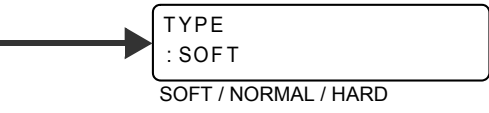


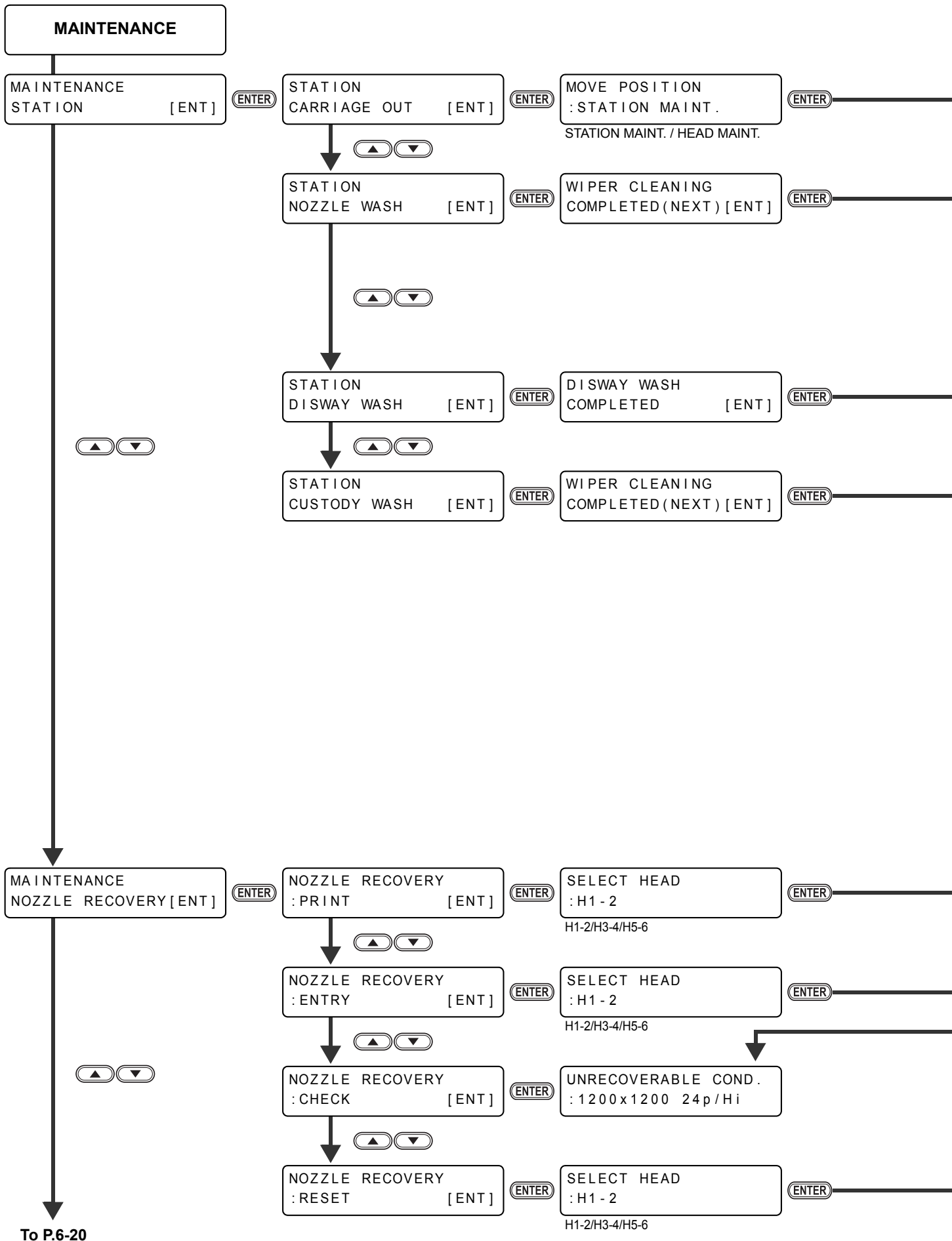




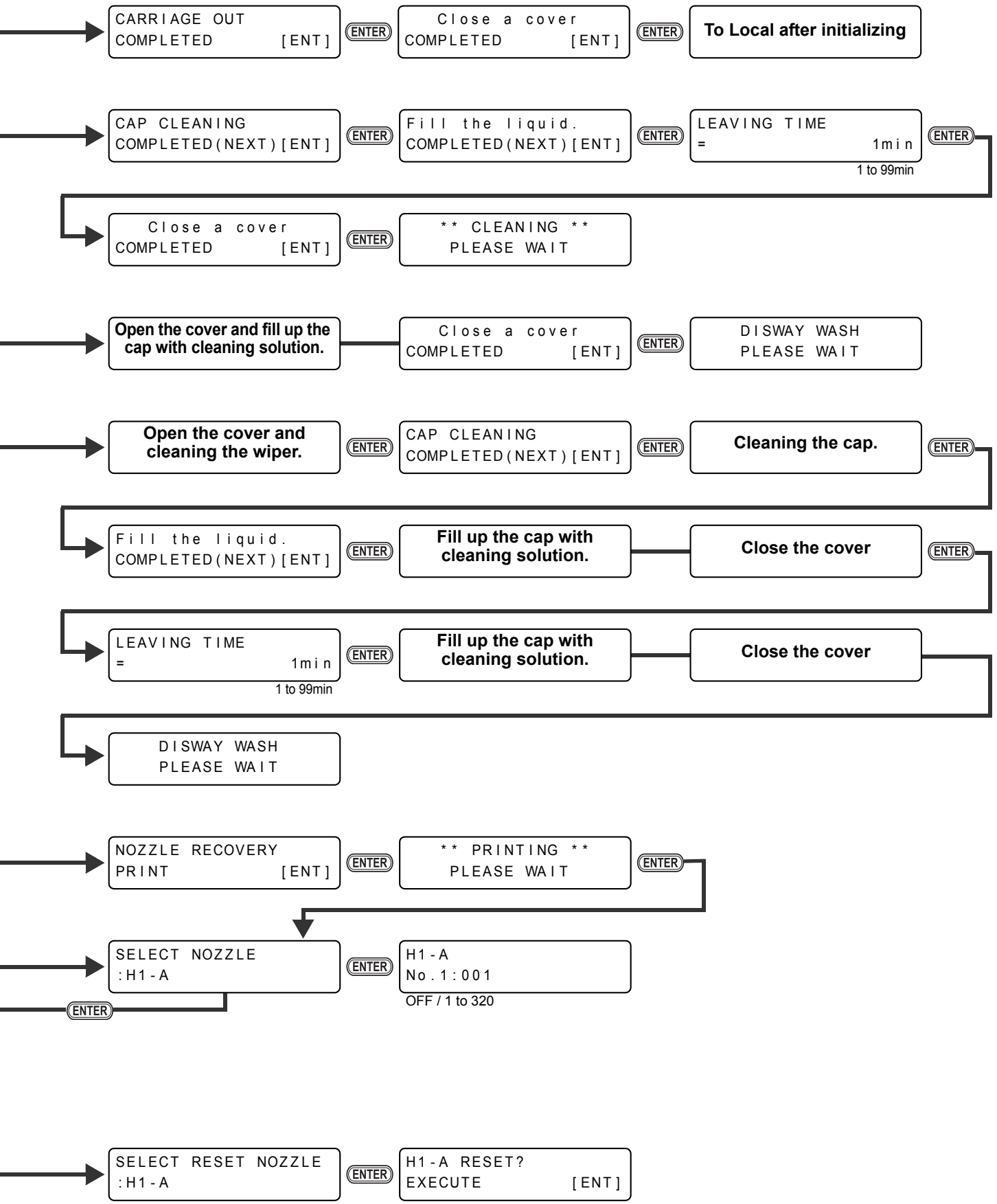
From P.6-14



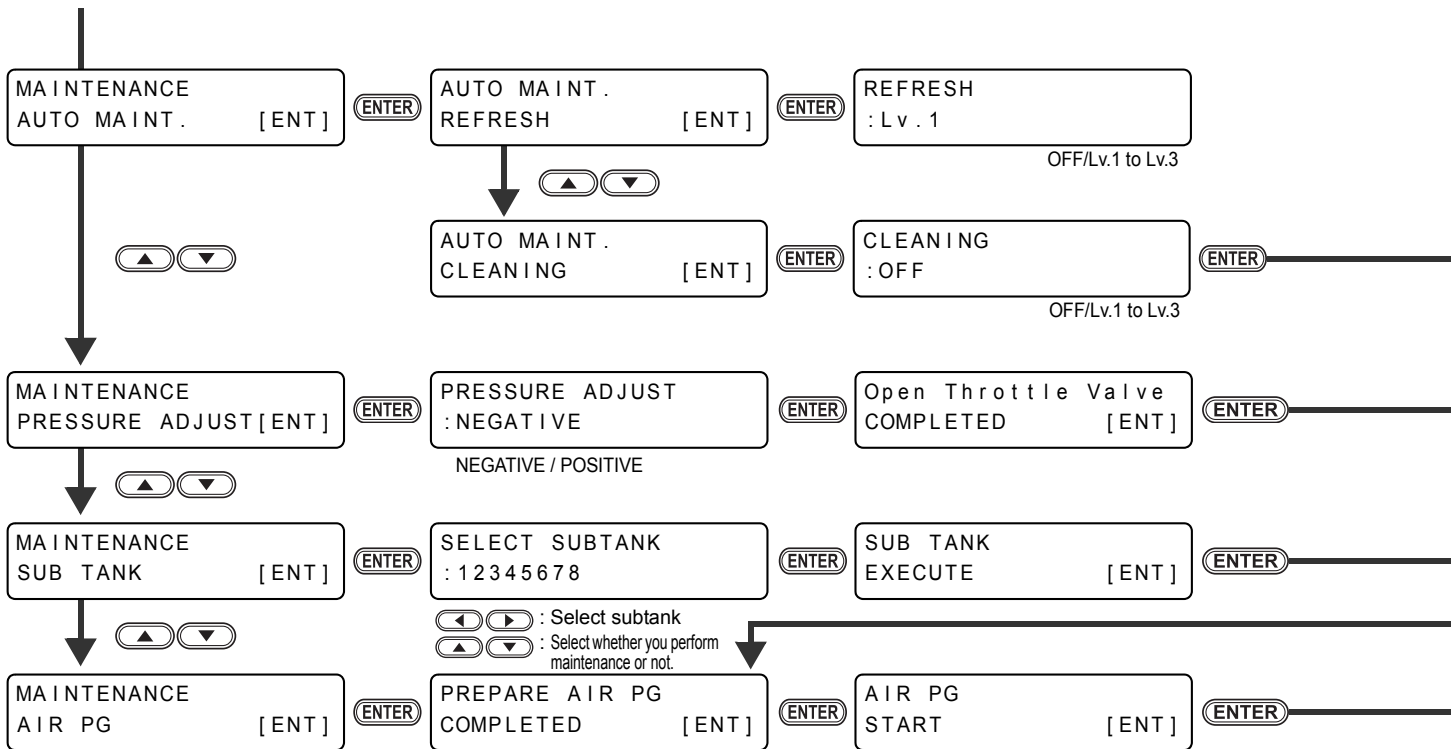


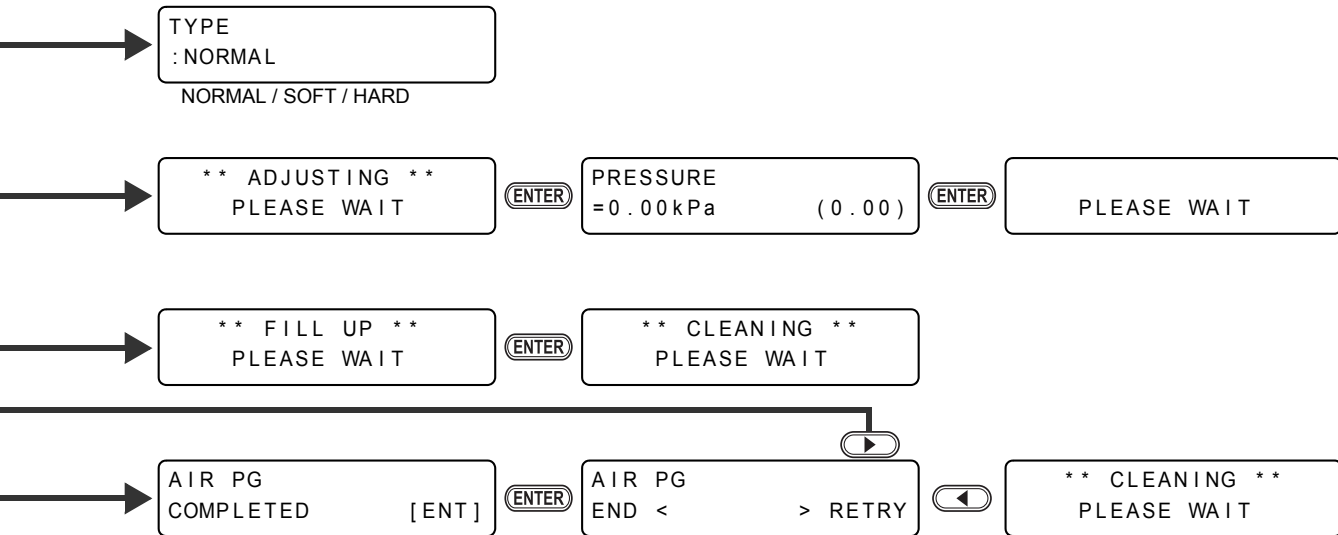


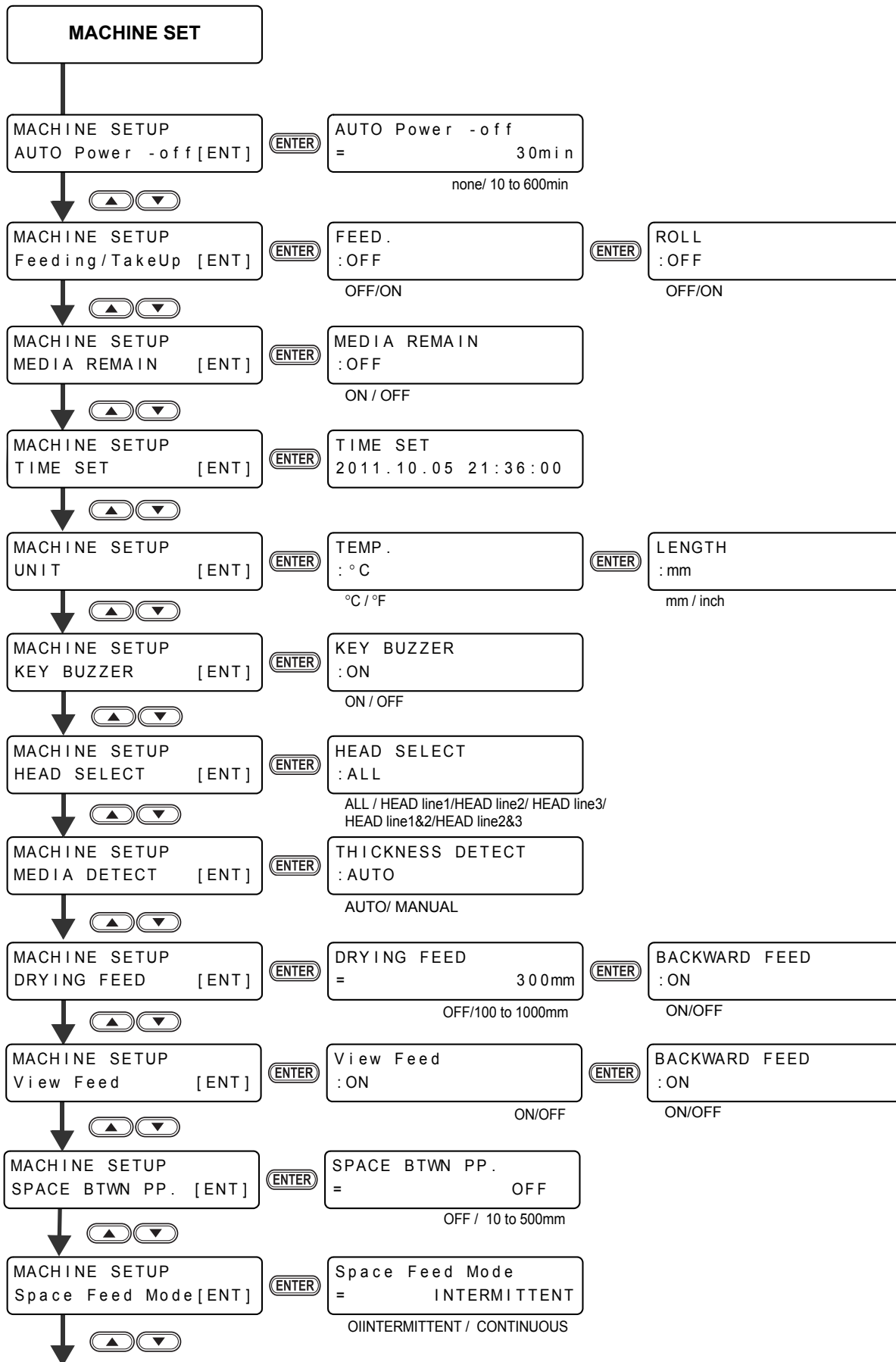
To P.6-20



From P.6-18







To P.6-24

From P.6-22

MACHINE SETUP
NETWORK & MAIL [ENT]

[ENTER]

From P.6-22

NETWORK & MAIL
NETWORK [ENT]

[ENTER]

From P.6-22

NETWORK
Check IP Addr. [ENT]

[ENTER]

NETWORK
Check MAC Addr. [ENT]

[ENTER]

▲ ▼

NETWORK
DHCP [ENT]

[ENTER]

▲ ▼

NETWORK
AutoIP [ENT]

[ENTER]

▲ ▼

Settable when [DHCP] and [AutoIP] are both OFF

NETWORK
IP Address [ENT]

[ENTER]

▲ ▼

NETWORK
Default Gateway [ENT]

[ENTER]

▲ ▼

NETWORK
DNS Address [ENT]

[ENTER]

▲ ▼

NETWORK
SubNet Mask [ENT]

[ENTER]

▲ ▼

▲ ▼

NETWORK & MAIL
EVENT MAIL [ENT]

[ENTER]

EVENT MAIL
Mail Delivery [ENT]

[ENTER]

▲ ▼

EVENT MAIL
Select Event [ENT]

[ENTER]

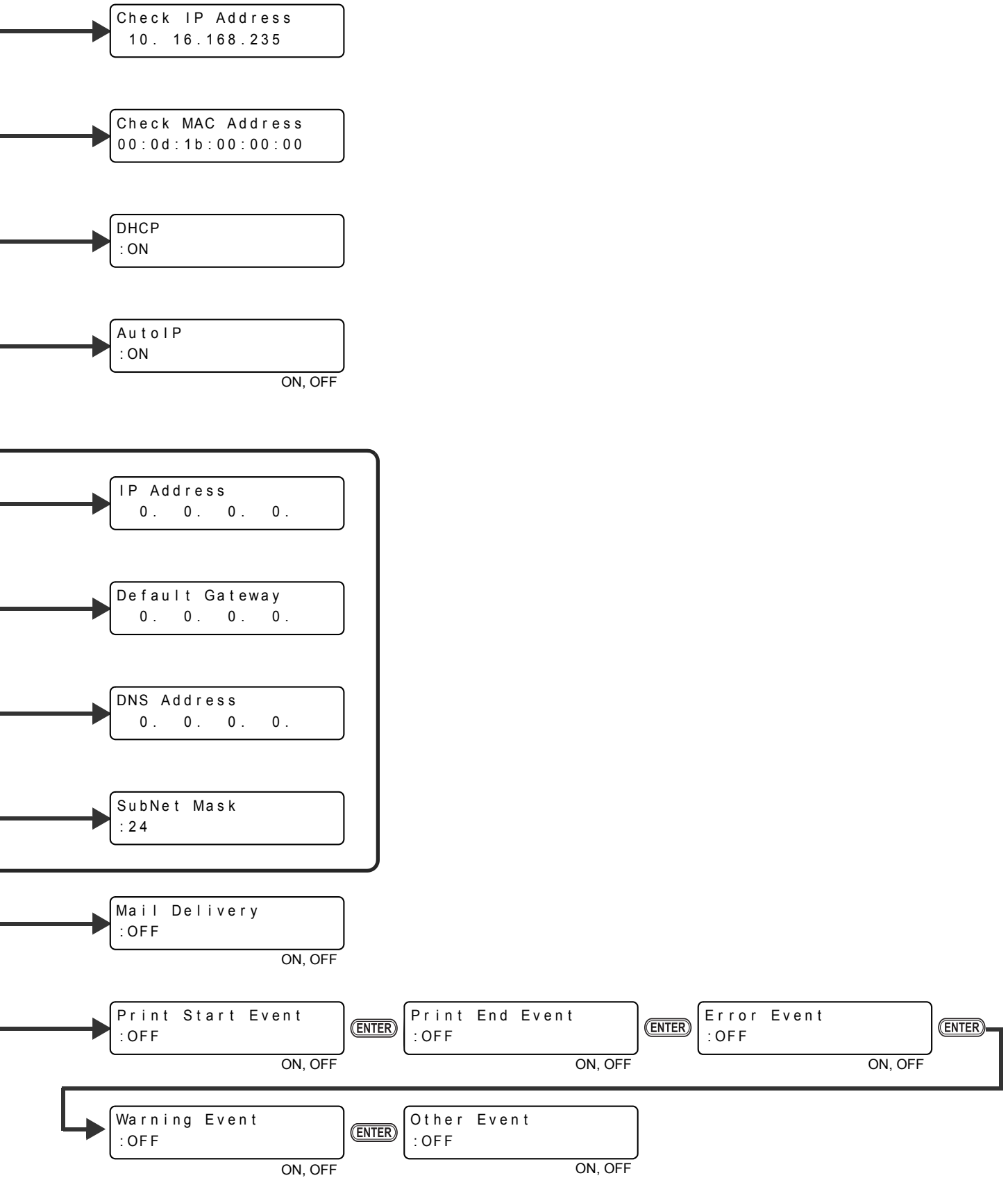
▲ ▼

▲ ▼

To P.6-26

To P.6-26

To P.6-26



From P.6-24



To P.6-28



From P.6-24



NETWORK & MAIL
SETTING LOCK [ENT]



To P.6-24

EVENT MAIL
Mail Address [ENT]



EVENT MAIL
Message Subject [ENT]



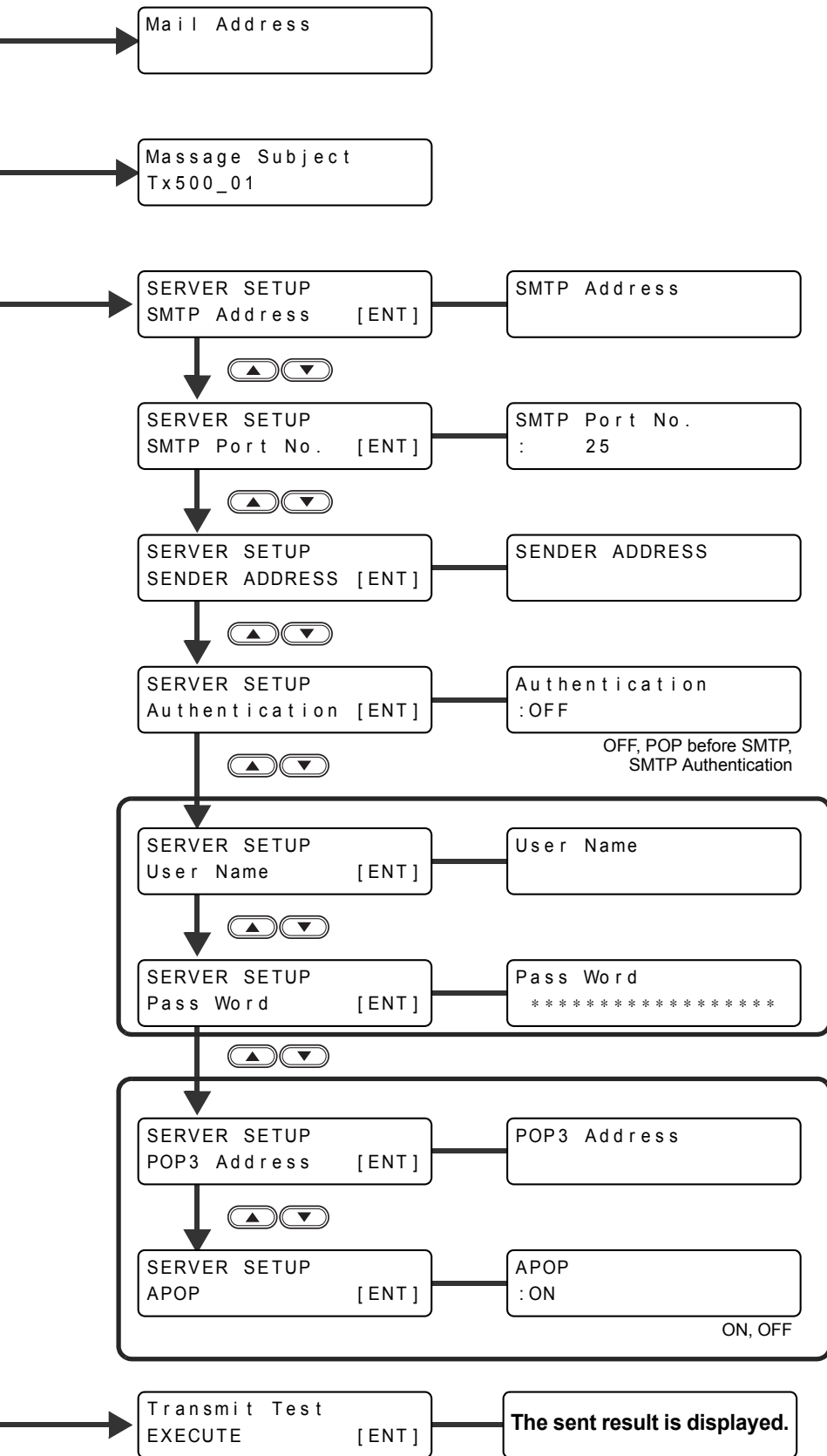
EVENT MAIL
Server Setup [ENT]



EVENT MAIL
Transmit Test [ENT]



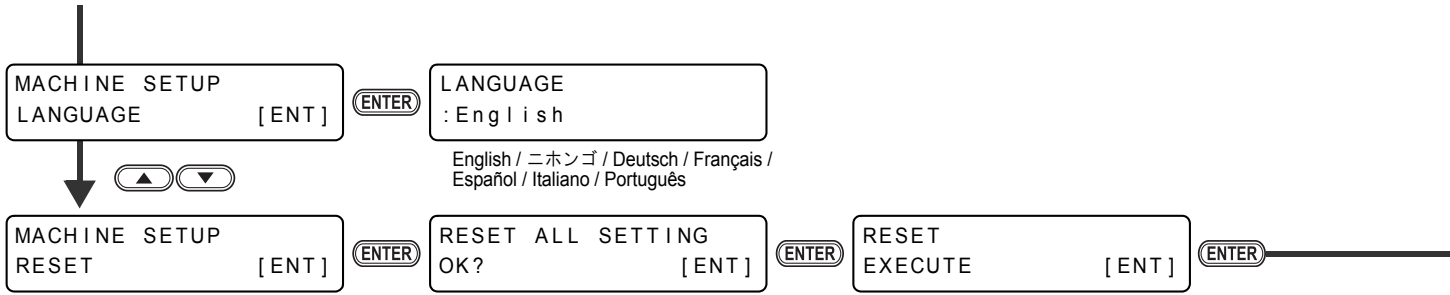
SETTING LOCK
LOCK :0000



When [Authentication] is [POP before SMTP] [SMTP Authentication], it is displayed.

[Only when [Authentication] is [POP before SMTP], it is displayed.

From P.6-26



Settings are initialized

Tx500-1800DS Operation Manual

Sep 2016

MIMAKI ENGINEERING CO.,LTD.

2182-3 Shigeno-otsu, Tomi-shi, Nagano 389-0512 JAPAN

D202414-16-30092016

